

■ Model No. **SR-100C**

Height : 364 mm

Weight : 31.4 kgs

■ Specifications:

Max. Pressure : 700 bar

Oil Required : 318 cc

Max. Output : 100 tons / 980 kN

Ram Stroke : 22 mm

■ Crimping Capacity:

- Crimping Range:
 - Copper : up to 64 mm O.D.Sleeve
 - Aluminum: up to 71 mm O.D.Sleeve
 - Steel : up to 32 mm O.D.Sleeve
- Double-Acting hydraulic pump required
- Dies are manufactured on request only (See page 158)

■ Features:

- Operated by any double-acting hydraulic pump with rated oil pressure of 700 bar (10,000 psi).
- Functional handles for easy carrying and repositioning.
- Removable die cap for easy connector positioning.
- Ram retracts hydraulically ; the ram retracting time is 1/3 of spring return.
- Compression head is designed as a portable tool for installing compression sleeves and terminals for transmission construction and/ or maintenance work.



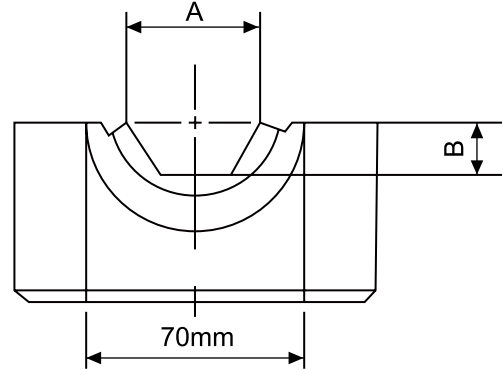
HYCP-100ST

※ Crimping without die sets is prohibited.



■ **For SR-100C / HYCP-100ST / 100W DIES**

(image and figure for reference only)



FOR STEEL SLEEVE

C : Die Wdth

Die No.	A	B	C
100ST-G12	12mm	5.20mm	40mm
100ST-G18	18mm	7.80mm	35mm
100ST-G20	20mm	8.70mm	35mm
100ST-G22	22mm	9.50mm	35mm

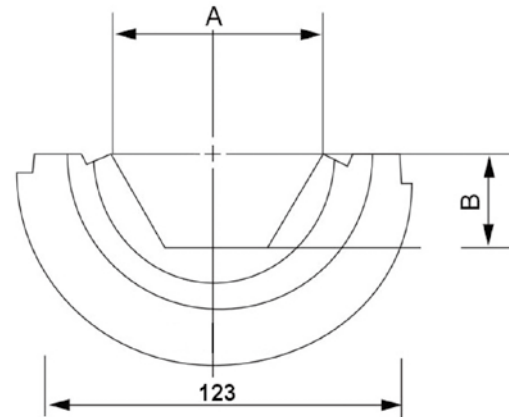
FOR ALUMINUM SLEEVE

C : Die Wdth

Die No.	A	B	C
100ST-L24	24mm	10.50mm	75mm
100ST-L30	30mm	12.50mm	75mm
100ST-L40	40mm	17.50mm	75mm
100ST-L42	42mm	18.20mm	75mm
100ST-L45	45mm	20.50mm	75mm
100ST-L52	52mm	22.50mm	75mm

■ **For 200W DIES**

(image and figure for reference only)



FOR STEEL SLEEVE

C : Die Wdth

Die No.	A	B	C
200W-G24	24mm	10.40mm	60mm

FOR ALUMINUM SLEEVE

C : Die Wdth

Die No.	A	B	C
200W-L24	24mm	10.40mm	128mm
200W-L32	32mm	14.10mm	128mm
200W-L70	70mm	30.70mm	128mm