



■ **Model No. LEC-40** (with Li-ion Battery & Charger)

Height : 387 mm  
Weight : 6.8 kgs (battery included)

■ **Specifications:**

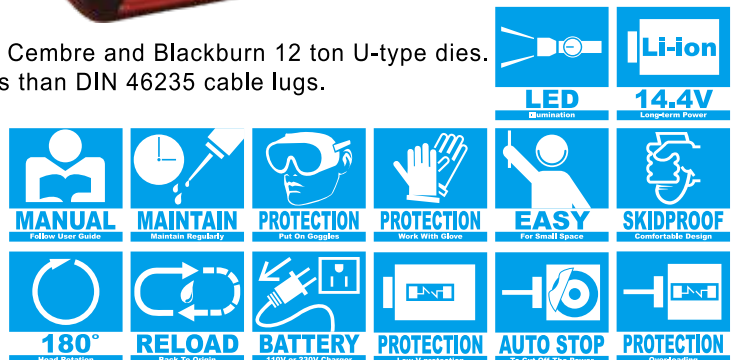
Drive unit : 14.4V DC Motor  
Charger (GS/CE) :  
Input voltage : 110V Single Phase AC  
Input voltage : 230V Single Phase AC  
Input frequency : 50-60 Hz  
Input current : 21.75 VA  
Reservoir capacity : 120 cc

■ **Crimping Capacity:**

Jaw opening : 40 mm  
Crimping force : 12.7 tons / 125 kN  
Main Application : Up to 400mm<sup>2</sup> CU  
Dies sold separately (See page 151)



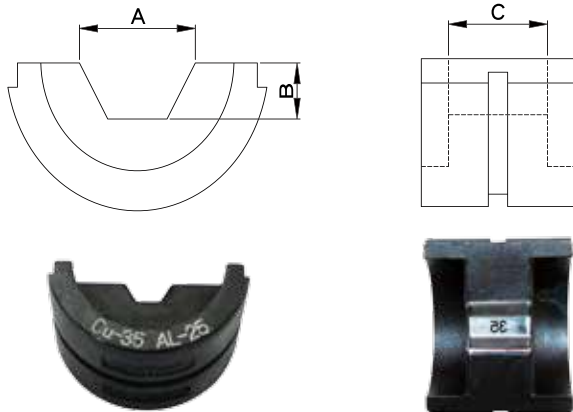
Accepts all dies used by Alcoa, Burndy, T&B, Klauke, Cembre and Blackburn 12 ton U-type dies. Suitable for TERMINALS with wall thickness little less than DIN 46235 cable lugs.



■ For LEC-U27, LEC-32, LEC-40, LEC-44, UB-400(HE), UCP-2712(HE), UB-412(HE), H-412HE, HYCP-4413(HE), ADP-15THE, ADP-630HE, ADP-451000HE

• Hex Dies for Copper Lugs

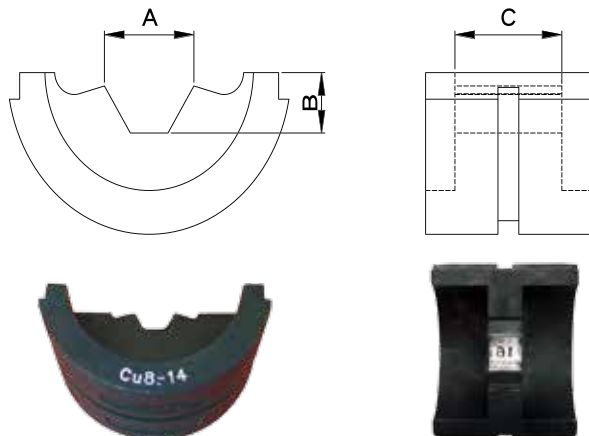
Suitable for TERMINALS with wall thickness little less than DIN 46235 Cable Lugs



Unit: mm

Die No.	A	B	C
CU-16	7.20	3.12	14.00
CU-25	8.43	3.67	14.00
CU-35	10.00	4.33	16.00
CU-50	11.60	5.02	16.00
CU-70	13.70	5.95	15.60
CU-95	15.90	6.85	15.70
CU-120	17.98	7.79	16.00
CU-150	20.10	8.70	15.00
CU-185	22.33	9.67	14.00
CU-240	25.43	11.01	13.00
CU-300	28.44	12.32	11.20
CU-400	30.00	14.55	11.50

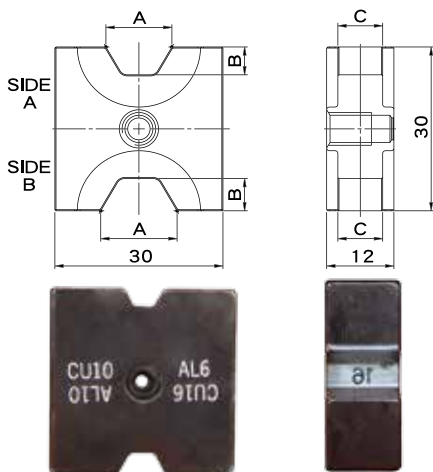
• Hex Dies for Solderless Terminals



Unit: mm

Die No.	A	B	C
CU-8-14	7.40	3.50	8.00
CU-22	8.80	4.30	10.00
CU-38	11.50	5.40	11.50
CU-60-70	13.40	6.00	15.00
CU-80	15.00	6.75	18.00
CU-100	18.00	8.00	15.00
CU-150-180	21.00	9.10	13.00
CU-200	28.44	12.32	11.20
CU-325	30.00	14.56	11.50

■ For LEC-185T, LEC-240T, K-185, K-240, HYCP-185(HE), HYCP-240(HE)



Unit: mm

Die No.	Side		A	B	C
AHE-1016	A	CU10	5.45	2.30	12.00
	B	CU16	6.80	2.85	12.00
AHE-2535	A	CU25	8.35	3.50	9.00
	B	CU35	9.40	4.00	9.00
AHE-5070	A	CU50	11.35	4.80	9.00
	B	CU70	13.80	6.05	9.00
AHE-95120	A	CU95	16.17	6.90	9.00
	B	CU120	18.05	7.60	9.00
AHE-150	A	CU150	20.15	8.55	6.00
AHE-185	A	CU185	22.15	9.35	6.00
AHE-240	A	CU240	22.15	9.35	6.00

• AHE-240 Die For 240 Series Only.