

■ Model No. **HYCP-451000HE**

Height : 285 mm

Weight : 11.6 kgs

■ Specifications:

Max. Pressure : 700 bar

Oil Required : 226 cc

Max. Output : 44.5 tons / 436 kN

Ram Stroke : 35.5 mm

■ Crimping Capacity:

- Max. Crimping capacity: 1000 mm²
- Customized die sets can be ordered
- CU 400/500/630/800/1000 sold separately (See page 156)

■ Features:

- U-type head design is solid and durable.
- Lock pin design holds die firmly in place.
- Operated by any hydraulic pump with rated oil pressure of 700 bar (10,000 psi).
- Single action cylinder with spring return.

■ Accessories:

Plastic carrying case (See page 218)



■ Model No. **ADP-451000HE**

This adapter is designed for hydraulic compression head HYCP-451000HE to interchange with die sets from other 12-ton tools (up to 400 mm²)

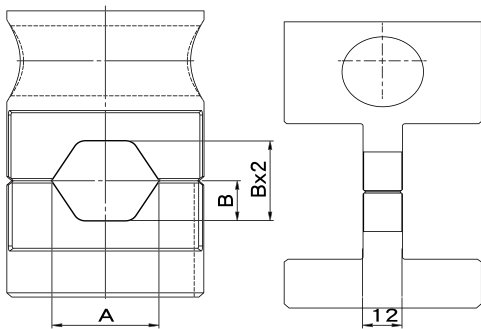


※ Crimping without die sets is prohibited.



■ For HYCP-630HE

- Hex Dies for Copper tubular sleeves and lugs, for crimping to copper cables, according to NFC 20.130 standard



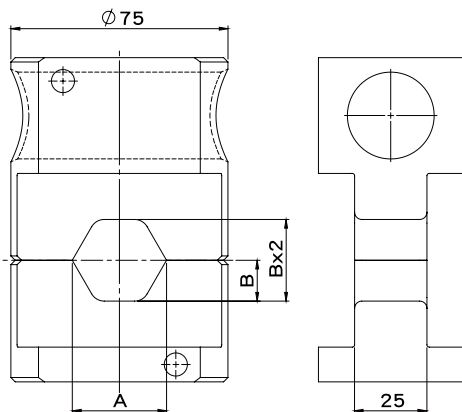
Unit : mm

Die No.	A	B
630HE-CU 400	32.56	14.10
630HE-CU 500	36.03	15.60
630HE-CU 630	42.84	18.55



■ For HYCP-451000HE

- Hex Dies for Copper tubular sleeves and lugs, for crimping to copper cables, according to NFC 20.130 standard



Unit : mm

Die No.	A	B
451000HE-CU 400	32.56	14.10
451000HE-CU 500	36.03	15.60
451000HE-CU 630	42.84	18.55
451000HE-CU 800	48.38	20.95
451000HE-CU 1000	52.77	22.85

