

NCPP

Nickel Cadmium Pocket Plate Batteries



Block Battery Catalogue



Introduction:

HBL's Nickel Cadmium Pocket Plate battery designs are based on the superior pocket plate technology.

A fully integrated modern factory, supported by strong process management and quality controls makes HBL one of the best Nickel Cadmium battery production facilities in the world.

HBL's block batteries are offered in multiple voltage choices and in wide capacity range.

NCPP block battery range is designed to comply with IS 10918 & IEC 60623.

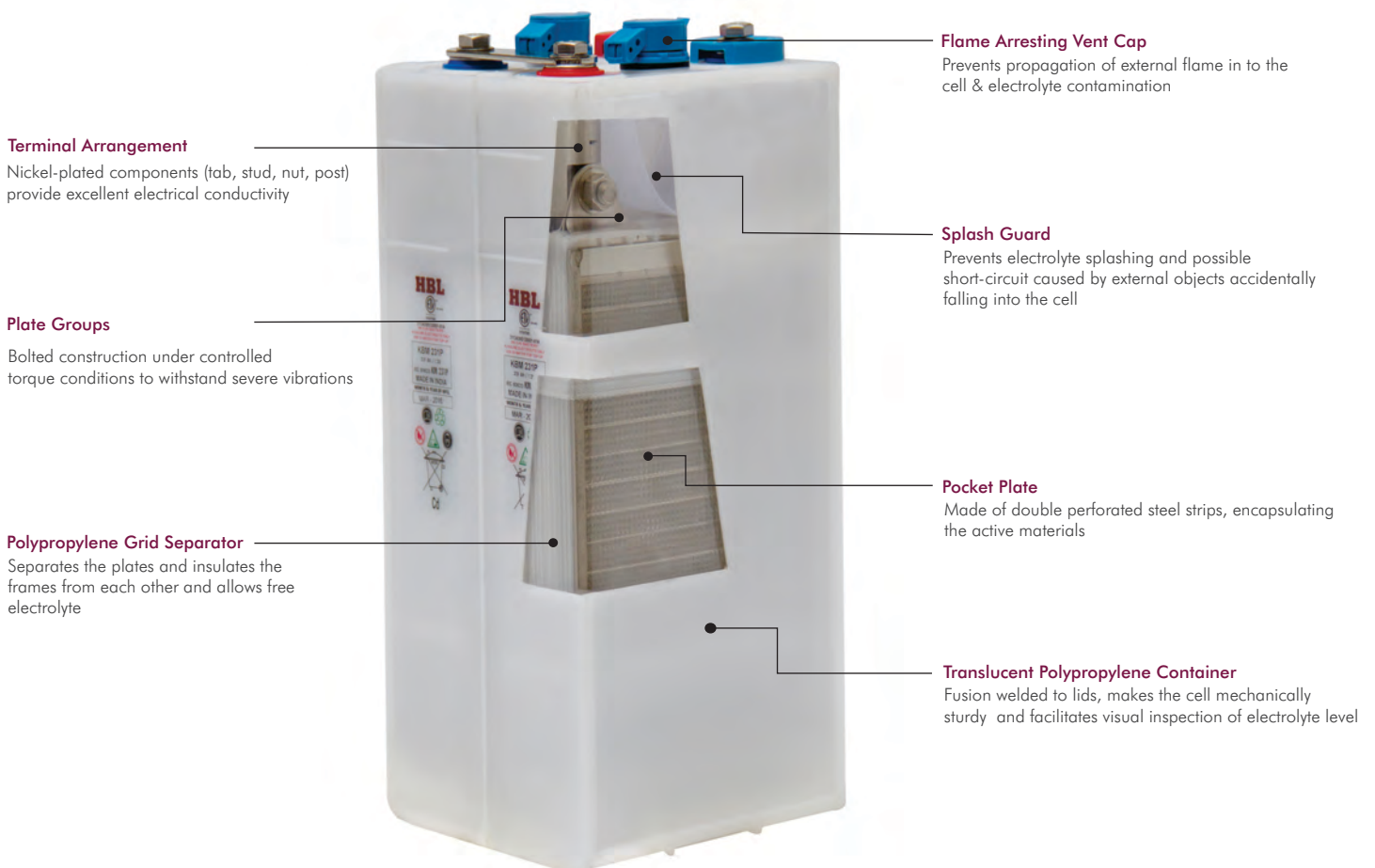
Construction

The internal mechanical structure is made of nickel plated steel making it highly rugged and capable of withstanding mechanical abuses. The active materials are encapsulated between specially designed folded steel strips, which are perforated on both sides. This design increases the effective surface area by 30% which in turn results in effective utilization of active material and makes the battery more efficient.

Block batteries use special polypropylene separator system, which is chemically inert and highly immune to wear and tear. Batteries come in tough, shock resistant, fusion welded polypropylene containers and lids. A unique flame arresting flip type vent cap in the batteries prevents any unusual event and electrolyte contamination.

Block batteries are supplied either in filled condition (charged or discharged) or dry & discharged condition with inter-cell connectors, cable connectors, associated hardware and accessories that are required for normal operation and maintenance. Powder coated Mild Steel racks to house the batteries can be provided as an option.

Cut-view of cell:



Benefits

- ❖ High reliability
- ❖ Long float life - 20 years+ at 20° C for standby applications
- ❖ Long shelf life - 5 years+ for the cells supplied in dry condition & 1 year in filled condition
- ❖ Quick charging - More than 90 % capacity available within 6 hours of charging
- ❖ Low internal resistance - For enhanced battery performance
- ❖ Resistant to mechanical & electrical abuses - Making it ideal for deployment in harsh environments
- ❖ Wide operating temperature range (-20°C to +50°C)
- ❖ Application specific designs (KBH, KBM & KBL)
- ❖ Easy installation & low maintenance
- ❖ Best TCO (Total Cost of Ownership) for demanding application needs
- ❖ No risk of sudden death failure

Capacity Range

High Discharge - KBH:

- ❖ Thin plates with more plate surface area
- ❖ For high discharge applications with less than 1 hour backup time requirements
- ❖ 9 Ah to 990 Ah
- ❖ 77 standard cell models to choose from

Medium Discharge - KBM:

- ❖ Optimized plate thickness
- ❖ For medium discharge applications, between 1 to 3 hours backup time requirements which involves high and long discharges
- ❖ 12 Ah to 1460 Ah
- ❖ 72 standard cell models to choose from

Long Discharge - KBL:

- ❖ Thick plates with more amount of active material
- ❖ For long discharge applications, with more than 3 hours backup time requirements
- ❖ 8 Ah to 1680 Ah
- ❖ 73 standard cell models to choose from



Applications

Block battery range is specially designed for industrial markets considering the reliability, cost-optimization and low-maintenance requirements for the following applications and segments

- ❖ Fire alarm systems
- ❖ Signaling and Telecommunications
- ❖ Solar Photovoltaic
- ❖ Instrumentation & Process control
- ❖ Switchgear protection
- ❖ Emergency lighting
- ❖ Switchyard
- ❖ UPS
- ❖ Genset starting
- ❖ Diesel Locomotive cranking
- ❖ Electromagnetic lifters (EOT crane)

Battery Charging

Following are recommended charge conditions:

Commissioning Charge:

- ❖ Constant current charge of 10 hours at 0.2 C₅ A (20 amps for 100 Ah battery)

Quick Charging:

- ❖ Constant current charge at 0.4 C₅ A for first 2.5 hours followed by 0.2 C₅ A for next 2.5 hours

Charging in Operation:

The recommended charging voltages for continuous parallel operation, with occasional battery discharges:

Two Level Charging:

- ❖ Float level:
 - 1.40 V/cell for KBH & KBM
 - 1.42 V/cell for KBL
 - Float charging current: 1 to 2 mA per Ah
- ❖ *Boost level:
 - 1.45 to 1.70 V/cell for KBH & KBM
 - 1.47 to 1.70 V/cell for KBL
 - Current limit: 0.2C₅ A

Single Level Charging:

- ❖ 1.43 – 1.50 V/cell
(may increase water consumption)
- * Refer charge curves at page#13
(A higher voltage will keep the battery at high state of charge)



H Range

Cell dimensions and weight details

| Cell type | Capacity (C ₅ Ah) | Cell dimensions in mm | | | | | Approx. weight per cell in kg | Cell connection bolt size | Container size reference | Approx. reserve electrolyte cc/cell |
|-----------|------------------------------|-----------------------|-------|------------------|-------------|-------------|-------------------------------|---------------------------|--------------------------|-------------------------------------|
| | | Height | Width | Length per block | | | | | | |
| | | | | 1.2 V L (1) | 2.4 V L (2) | 3.6 V L (3) | | | | |
| KBH 9 P | 9 | 264 | 123 | | 69 | 100 | 1.40 | M6 | B21-1 | 90 |
| KBH 13 P | 13 | 264 | 123 | | 79 | 115 | 1.60 | M6 | B22-1 | 110 |
| KBH 17 P | 17 | | | 1.80 | | | | | | |
| KBH 21 P | 21 | 264 | 123 | | 103 | 151 | 2.20 | M6 | B23-1 | 145 |
| KBH 30 P | 30 | 264 | 123 | | 127 | 187 | 2.90 | M6 | B24-1 | 185 |
| KBH 34 P | 34 | | | 2.80 | | | | | | |
| KBH 40 P | 40 | 405 | 195 | | 79 | 115 | 4.40 | M10 | B45-1 | 280 |
| KBH 50 P | 50 | | | 4.80 | | | | | | |
| KBH 54 P | 54 | 349 | 195 | | 103 | 151 | 5.20 | M10 | B33-1 | 380 |
| KBH 59 P | 59 | | | 5.30 | | | | | | |
| KBH 64 P | 64 | 349 | 195 | | 127 | 187 | 6.20 | M10 | B32-1 | 515 |
| KBH 69 P | 69 | | | 6.40 | | | | | | |
| KBH 79 P | 79 | | | 6.60 | | | | | | |
| KBH 88 P | 88 | 349 | 195 | | 159 | 232 | 7.90 | M10 | B31B-1 | 650 |
| KBH 98 P | 98 | | | 8.30 | | | | | | |
| KBH 103 P | 103 | | | 8.40 | | | | | | |
| KBH 110 P | 110 | 349 | 195 | | 183 | 268 | 9.20 | M10 | B31-1 | 745 |
| KBH 118 P | 118 | | | 9.30 | | | | | | |
| KBH 127 P | 127 | 349 | 195 | 132 | 252 | 372 | 12.5 | 2 x M10 | B32-2 | 1030 |
| KBH 137 P | 137 | | | | | | 12.9 | | | |
| KBH 147 P | 147 | | | | | | 13.0 | | | |
| KBH 157 P | 157 | | | | | | 13.1 | | | |
| KBH 170 P | 170 | 349 | 195 | 159 | 304 | | 15.2 | 2 x M10 | B31B-2 | 1300 |
| KBH 177 P | 177 | | | | | | 15.7 | | | |
| KBH 185 P | 185 | | | | | | 15.8 | | | |
| KBH 196 P | 196 | | | | | | 16.7 | | | |
| KBH 206 P | 206 | | | | | | 16.8 | | | |
| KBH 218 P | 218 | 349 | 195 | 183 | 352 | | 18.4 | 2 x M10 | B31-2 | 1490 |
| KBH 236 P | 236 | | | | | | 18.5 | | | |
| KBH 245 P | 245 | | | | | | 18.5 | | | |
| KBH 255 P | 255 | 405 | 195 | 159 | 304 | | 19.0 | 2 x M10 | B41B-2 | 1300 |
| KBH 265 P | 265 | | | | | | 19.1 | | | |
| KBH 275 P | 275 | | | | | | 20.0 | | | |
| KBH 290 P | 290 | 405 | 195 | 183 | 352 | | 22.9 | 2 x M10 | B41-2 | 1490 |
| KBH 300 P | 300 | | | | | | 22.1 | | | |
| KBH 315 P | 315 | | | | | | 22.2 | | | |
| KBH 330 P | 330 | | | | | | 22.3 | | | |
| KBH 353 P | 353 | 349 | 195 | 268 | | | 27.5 | 3 x M10 | B31-3 | 2235 |
| KBH 362 P | 362 | | | | | | 27.6 | | | |

H Range

Cell dimensions and weight details

| Cell type | Capacity (C ₅ Ah) | Cell dimensions in mm | | | | | Approx. weight per cell in kg | Cell connection bolt size | Container size reference | Approx. reserve electrolyte cc/cell |
|-----------|------------------------------|-----------------------|-------|------------------|-------------|-------------|-------------------------------|---------------------------|--------------------------|-------------------------------------|
| | | Height | Width | Length per block | | | | | | |
| | | | | 1.2 V L (1) | 2.4 V L (2) | 3.6 V L (3) | | | | |
| KBH 375 P | 375 | 405 | 195 | 232 | | | 28.3 | 3 x M10 | B41B-3 | 1950 |
| KBH 393 P | 393 | | | | | | 28.4 | | | |
| KBH 410 P | 410 | | | | | | 29.6 | | | |
| KBH 420 P | 420 | 405 | 195 | 268 | | | 31.5 | 3 x M10 | B41-3 | 2235 |
| KBH 430 P | 430 | | | | | | 32.9 | | | |
| KBH 450 P | 450 | | | | | | 33.0 | | | |
| KBH 471 P | 471 | | | | | | 33.2 | | | |
| KBH 481 P | 481 | | | | | | 33.3 | | | |
| KBH 491 P | 491 | | | | | | 33.4 | | | |
| KBH 510 P | 510 | | | | | | 37.6 | | | |
| KBH 530 P | 530 | 405 | 195 | 304 | | | 37.7 | 4 x M10 | B41B-4 | 2600 |
| KBH 540 P | 540 | | | | | | 39.3 | | | |
| KBH 560 P | 560 | | | | | | 39.5 | | | |
| KBH 575 P | 575 | | | | | | 43.6 | | | |
| KBH 590 P | 590 | 405 | 195 | 352 | | | 43.7 | 4 x M10 | B41-4 | 2980 |
| KBH 600 P | 600 | | | | | | 43.8 | | | |
| KBH 615 P | 615 | | | | | | 43.9 | | | |
| KBH 630 P | 630 | | | | | | 44.0 | | | |
| KBH 640 P | 640 | | | | | | 44.1 | | | |
| KBH 655 P | 655 | | | | | | 44.3 | | | |
| KBH 670 P | 670 | | | | | | 47.3 | | | |
| KBH 680 P | 680 | 405 | 195 | 377 | | | 49.1 | 5 x M10 | B41B-5 | 3250 |
| KBH 690 P | 690 | | | | | | 49.3 | | | |
| KBH 705 P | 705 | | | | | | 52.6 | | | |
| KBH 725 P | 725 | 405 | 195 | 437 | | | 54.4 | 5 x M10 | B41-5 | 3725 |
| KBH 755 P | 755 | | | | | | 54.6 | | | |
| KBH 765 P | 765 | | | | | | 54.8 | | | |
| KBH 785 P | 785 | | | | | | 55.0 | | | |
| KBH 800 P | 800 | | | | | | 55.1 | | | |
| KBH 825 P | 825 | | | | | | 55.3 | | | |
| KBH 840 P | 840 | | | | | | 62.8 | | | |
| KBH 865 P | 865 | 405 | 195 | 522 | | | 65.4 | 6 x M10 | B41-6 | 4470 |
| KBH 890 P | 890 | | | | | | 65.5 | | | |
| KBH 910 P | 910 | | | | | | 65.6 | | | |
| KBH 920 P | 920 | | | | | | 65.6 | | | |
| KBH 930 P | 930 | | | | | | 65.9 | | | |
| KBH 950 P | 950 | | | | | | 66.1 | | | |
| KBH 990 P | 990 | | | | | | 66.3 | | | |

Performance data of KBH range in Amperes

After fully charged with constant current charging at +20°C ±5°C (+68°F ± 9°F)

Final Cell Voltage: 1.14 V

| Cell Type | C ₅ Ah | Hours | | | | | | | Minutes | | | | | Seconds | | | |
|-----------|-------------------|-------|------|------|------|------|------|------|---------|------|------|------|------|---------|------|------|------|
| | | 10 | 8 | 5 | 3 | 2 | 1.5 | 1 | 30 | 20 | 15 | 10 | 5 | 60 | 30 | 5 | 1 |
| KBH 9 P | 9 | 0.85 | 1.07 | 1.67 | 2.73 | 3.99 | 5.16 | 7.29 | 10.9 | 13.3 | 15.0 | 17.6 | 22.3 | 35.2 | 40.7 | 50.7 | 53.2 |
| KBH 13 P | 13 | 1.23 | 1.55 | 2.41 | 3.94 | 5.76 | 7.45 | 10.5 | 15.7 | 19.2 | 21.7 | 25.4 | 32.2 | 50.8 | 58.8 | 73.3 | 76.9 |
| KBH 17 P | 17 | 1.60 | 2.02 | 3.16 | 5.15 | 7.53 | 9.74 | 13.8 | 20.6 | 25.1 | 28.4 | 33.3 | 42.1 | 66.4 | 76.9 | 95.9 | 101 |
| KBH 21 P | 21 | 1.98 | 2.50 | 3.90 | 6.36 | 9.31 | 12.0 | 17.0 | 25.4 | 31.0 | 35.1 | 41.1 | 52.0 | 82.0 | 95.0 | 118 | 124 |
| KBH 30 P | 30 | 2.83 | 3.57 | 5.57 | 9.09 | 13.3 | 17.2 | 24.3 | 36.3 | 44.4 | 50.1 | 58.7 | 74.4 | 117 | 136 | 169 | 177 |
| KBH 34 P | 34 | 3.20 | 4.05 | 6.31 | 10.3 | 15.1 | 19.5 | 27.5 | 41.1 | 50.3 | 56.8 | 66.6 | 84.3 | 133 | 154 | 192 | 201 |
| KBH 40 P | 40 | 3.77 | 4.76 | 7.56 | 12.2 | 17.7 | 22.9 | 32.0 | 47.3 | 57.4 | 64.4 | 74.5 | 94.1 | 142 | 162 | 192 | 198 |
| KBH 50 P | 50 | 4.71 | 5.95 | 9.45 | 15.3 | 22.1 | 28.6 | 40.0 | 59.1 | 71.7 | 80.5 | 93.2 | 118 | 177 | 203 | 240 | 248 |
| KBH 54 P | 54 | 5.09 | 6.43 | 10.2 | 16.5 | 24.0 | 31.0 | 43.8 | 65.3 | 79.9 | 90.2 | 106 | 134 | 211 | 244 | 305 | 319 |
| KBH 59 P | 59 | 5.56 | 7.02 | 11.2 | 18.0 | 26.2 | 33.8 | 47.8 | 71.4 | 87.3 | 98.5 | 116 | 146 | 230 | 267 | 333 | 349 |
| KBH 64 P | 64 | 6.03 | 7.62 | 12.1 | 19.5 | 28.4 | 36.7 | 51.9 | 77.4 | 94.7 | 107 | 125 | 159 | 250 | 289 | 361 | 378 |
| KBH 69 P | 69 | 6.50 | 8.21 | 13.0 | 21.0 | 30.6 | 39.6 | 55.9 | 83.5 | 102 | 115 | 135 | 171 | 269 | 312 | 389 | 408 |
| KBH 79 P | 79 | 7.45 | 9.40 | 14.9 | 24.1 | 35.0 | 45.3 | 64.0 | 95.6 | 117 | 132 | 155 | 196 | 308 | 357 | 445 | 467 |
| KBH 88 P | 88 | 8.29 | 10.5 | 16.6 | 26.8 | 39.0 | 50.5 | 71.3 | 106 | 130 | 147 | 172 | 218 | 343 | 398 | 496 | 520 |
| KBH 98 P | 98 | 9.24 | 11.7 | 18.5 | 29.9 | 43.5 | 56.2 | 79.4 | 119 | 145 | 164 | 192 | 243 | 382 | 443 | 553 | 580 |
| KBH 103 P | 103 | 9.71 | 12.3 | 19.5 | 31.4 | 45.7 | 59.1 | 83.5 | 125 | 152 | 172 | 202 | 256 | 402 | 466 | 581 | 609 |
| KBH 110 P | 110 | 10.4 | 13.1 | 20.8 | 33.6 | 48.8 | 63.1 | 89.2 | 133 | 163 | 184 | 215 | 273 | 429 | 497 | 620 | 650 |
| KBH 118 P | 118 | 11.1 | 14.0 | 22.3 | 36.0 | 52.3 | 67.7 | 95.6 | 143 | 175 | 197 | 231 | 293 | 460 | 534 | 665 | 698 |
| KBH 127 P | 127 | 12.0 | 15.1 | 24.0 | 38.7 | 56.3 | 72.8 | 103 | 154 | 188 | 212 | 249 | 315 | 495 | 574 | 716 | 751 |
| KBH 137 P | 137 | 12.9 | 16.3 | 25.9 | 41.8 | 60.8 | 78.5 | 111 | 166 | 203 | 229 | 268 | 340 | 534 | 620 | 773 | 810 |
| KBH 147 P | 147 | 13.9 | 17.5 | 27.8 | 44.8 | 65.2 | 84.3 | 119 | 178 | 217 | 245 | 288 | 365 | 573 | 665 | 829 | 869 |
| KBH 157 P | 157 | 14.8 | 18.7 | 29.7 | 47.9 | 69.7 | 90.0 | 127 | 190 | 232 | 262 | 307 | 390 | 612 | 710 | 885 | 928 |
| KBH 170 P | 170 | 16.0 | 20.2 | 32.1 | 51.9 | 75.4 | 97.5 | 138 | 206 | 251 | 284 | 333 | 422 | 663 | 769 | 959 | 1005 |
| KBH 177 P | 177 | 16.7 | 21.1 | 33.5 | 54.0 | 78.5 | 101 | 143 | 214 | 262 | 295 | 347 | 439 | 690 | 800 | 998 | 1047 |
| KBH 185 P | 185 | 17.4 | 22.0 | 35.0 | 56.4 | 82.1 | 106 | 150 | 224 | 274 | 309 | 362 | 459 | 721 | 837 | 1043 | 1094 |
| KBH 196 P | 196 | 18.5 | 23.3 | 37.1 | 59.8 | 87.0 | 112 | 159 | 237 | 290 | 327 | 384 | 486 | 764 | 886 | 1105 | 1159 |
| KBH 206 P | 206 | 19.4 | 24.5 | 38.9 | 62.8 | 91.4 | 118 | 167 | 249 | 305 | 344 | 403 | 511 | 803 | 932 | 1162 | 1218 |
| KBH 218 P | 218 | 20.5 | 25.9 | 41.2 | 66.5 | 96.7 | 125 | 177 | 264 | 322 | 364 | 427 | 541 | 850 | 986 | 1229 | 1289 |
| KBH 236 P | 236 | 22.2 | 28.1 | 44.6 | 72.0 | 105 | 135 | 191 | 286 | 349 | 394 | 462 | 586 | 920 | 1067 | 1331 | 1396 |
| KBH 245 P | 245 | 23.1 | 29.2 | 46.3 | 74.7 | 109 | 140 | 199 | 296 | 362 | 409 | 480 | 608 | 955 | 1108 | 1382 | 1449 |
| KBH 255 P | 255 | 24.0 | 30.3 | 48.2 | 77.8 | 113 | 146 | 204 | 301 | 366 | 411 | 475 | 600 | 905 | 1035 | 1223 | 1265 |
| KBH 265 P | 265 | 25.0 | 31.5 | 50.1 | 80.9 | 117 | 152 | 212 | 313 | 380 | 427 | 494 | 624 | 940 | 1076 | 1270 | 1315 |
| KBH 275 P | 275 | 25.9 | 32.7 | 52.0 | 83.9 | 122 | 157 | 220 | 325 | 395 | 443 | 512 | 647 | 976 | 1117 | 1318 | 1364 |
| KBH 290 P | 290 | 27.3 | 34.5 | 54.8 | 88.5 | 128 | 166 | 232 | 343 | 416 | 467 | 540 | 682 | 1029 | 1177 | 1390 | 1439 |
| KBH 300 P | 300 | 28.3 | 35.7 | 56.7 | 91.5 | 133 | 172 | 240 | 355 | 430 | 483 | 559 | 706 | 1064 | 1218 | 1438 | 1488 |
| KBH 315 P | 315 | 29.7 | 37.5 | 59.6 | 96.1 | 139 | 180 | 252 | 372 | 452 | 507 | 587 | 741 | 1117 | 1279 | 1510 | 1563 |
| KBH 330 P | 330 | 31.1 | 39.3 | 62.4 | 101 | 146 | 189 | 264 | 390 | 473 | 531 | 615 | 777 | 1171 | 1340 | 1582 | 1637 |
| KBH 353 P | 353 | 33.3 | 42.0 | 66.7 | 108 | 157 | 202 | 286 | 427 | 522 | 589 | 691 | 876 | 1376 | 1596 | 1991 | 2087 |
| KBH 362 P | 362 | 34.1 | 43.1 | 68.4 | 110 | 161 | 208 | 293 | 438 | 536 | 604 | 709 | 898 | 1411 | 1637 | 2041 | 2141 |

Performance data of KBH range in Amperes

After fully charged with constant current charging at +20°C ±5°C (+68°F ± 9°F)

Final Cell Voltage: 1.14 V

| Cell Type | C ₅ Ah | Hours | | | | | | | Minutes | | | | | Seconds | | | |
|-----------|-------------------|-------|------|------|-----|-----|-----|-----|---------|------|------|------|------|---------|------|------|------|
| | | 10 | 8 | 5 | 3 | 2 | 1.5 | 1 | 30 | 20 | 15 | 10 | 5 | 60 | 30 | 5 | 1 |
| KBH 375 P | 375 | 35.3 | 44.6 | 70.9 | 114 | 166 | 215 | 300 | 443 | 538 | 604 | 699 | 882 | 1330 | 1523 | 1798 | 1861 |
| KBH 393 P | 393 | 37.0 | 46.8 | 74.3 | 120 | 174 | 225 | 314 | 465 | 564 | 633 | 732 | 925 | 1394 | 1596 | 1884 | 1950 |
| KBH 410 P | 410 | 38.6 | 48.8 | 77.5 | 125 | 181 | 235 | 328 | 485 | 588 | 660 | 764 | 965 | 1454 | 1665 | 1966 | 2034 |
| KBH 420 P | 420 | 39.6 | 50.0 | 79.4 | 128 | 186 | 240 | 336 | 496 | 603 | 676 | 783 | 988 | 1490 | 1705 | 2014 | 2084 |
| KBH 430 P | 430 | 40.5 | 51.2 | 81.3 | 131 | 190 | 246 | 344 | 508 | 617 | 692 | 801 | 1012 | 1525 | 1746 | 2062 | 2134 |
| KBH 450 P | 450 | 42.4 | 53.6 | 85.1 | 137 | 199 | 258 | 360 | 532 | 646 | 725 | 839 | 1059 | 1596 | 1827 | 2157 | 2233 |
| KBH 471 P | 471 | 44.4 | 56.1 | 89.1 | 144 | 208 | 270 | 377 | 557 | 676 | 758 | 878 | 1108 | 1671 | 1912 | 2258 | 2337 |
| KBH 481 P | 481 | 45.3 | 57.2 | 90.9 | 147 | 213 | 275 | 385 | 569 | 690 | 775 | 896 | 1132 | 1706 | 1953 | 2306 | 2387 |
| KBH 491 P | 491 | 46.3 | 58.4 | 92.8 | 150 | 217 | 281 | 393 | 580 | 704 | 791 | 915 | 1155 | 1742 | 1993 | 2354 | 2436 |
| KBH 510 P | 510 | 48.1 | 60.7 | 96.4 | 156 | 226 | 292 | 408 | 603 | 732 | 821 | 950 | 1200 | 1809 | 2071 | 2445 | 2530 |
| KBH 530 P | 530 | 50.0 | 63.1 | 100 | 162 | 234 | 303 | 424 | 626 | 760 | 853 | 988 | 1247 | 1880 | 2152 | 2541 | 2630 |
| KBH 540 P | 540 | 50.9 | 64.3 | 102 | 165 | 239 | 309 | 432 | 638 | 775 | 870 | 1006 | 1271 | 1916 | 2192 | 2589 | 2679 |
| KBH 560 P | 560 | 52.8 | 66.6 | 106 | 171 | 248 | 321 | 448 | 662 | 803 | 902 | 1044 | 1318 | 1987 | 2274 | 2685 | 2779 |
| KBH 575 P | 575 | 54.2 | 68.4 | 109 | 175 | 254 | 329 | 460 | 680 | 825 | 926 | 1071 | 1353 | 2040 | 2335 | 2757 | 2853 |
| KBH 590 P | 590 | 55.6 | 70.2 | 112 | 180 | 261 | 338 | 472 | 697 | 846 | 950 | 1099 | 1388 | 2093 | 2395 | 2829 | 2927 |
| KBH 600 P | 600 | 56.6 | 71.4 | 113 | 183 | 265 | 343 | 480 | 709 | 861 | 966 | 1118 | 1412 | 2128 | 2436 | 2877 | 2977 |
| KBH 615 P | 615 | 58.0 | 73.2 | 116 | 188 | 272 | 352 | 492 | 727 | 882 | 990 | 1146 | 1447 | 2182 | 2497 | 2948 | 3051 |
| KBH 630 P | 630 | 59.4 | 75.0 | 119 | 192 | 279 | 361 | 504 | 745 | 904 | 1014 | 1174 | 1482 | 2235 | 2558 | 3020 | 3126 |
| KBH 640 P | 640 | 60.3 | 76.2 | 121 | 195 | 283 | 366 | 512 | 757 | 918 | 1031 | 1193 | 1506 | 2270 | 2598 | 3068 | 3175 |
| KBH 655 P | 655 | 61.7 | 77.9 | 124 | 200 | 290 | 375 | 524 | 774 | 940 | 1055 | 1221 | 1541 | 2324 | 2659 | 3140 | 3250 |
| KBH 670 P | 670 | 63.1 | 79.7 | 127 | 204 | 296 | 383 | 536 | 792 | 961 | 1079 | 1248 | 1577 | 2377 | 2720 | 3212 | 3324 |
| KBH 680 P | 680 | 64.1 | 80.9 | 129 | 207 | 301 | 389 | 544 | 804 | 976 | 1095 | 1267 | 1600 | 2412 | 2761 | 3260 | 3374 |
| KBH 690 P | 690 | 65.0 | 82.1 | 130 | 211 | 305 | 395 | 552 | 816 | 990 | 1111 | 1286 | 1624 | 2448 | 2801 | 3308 | 3424 |
| KBH 705 P | 705 | 66.4 | 83.9 | 133 | 215 | 312 | 403 | 564 | 833 | 1011 | 1135 | 1314 | 1659 | 2501 | 2862 | 3380 | 3498 |
| KBH 725 P | 725 | 68.3 | 86.3 | 137 | 221 | 321 | 415 | 580 | 857 | 1040 | 1167 | 1351 | 1706 | 2572 | 2944 | 3476 | 3597 |
| KBH 755 P | 755 | 71.2 | 89.8 | 143 | 230 | 334 | 432 | 604 | 892 | 1083 | 1216 | 1407 | 1777 | 2678 | 3065 | 3620 | 3746 |
| KBH 765 P | 765 | 72.1 | 91.0 | 145 | 233 | 338 | 438 | 612 | 904 | 1098 | 1232 | 1426 | 1800 | 2714 | 3106 | 3668 | 3796 |
| KBH 785 P | 785 | 74.0 | 93.4 | 148 | 240 | 347 | 449 | 628 | 928 | 1126 | 1264 | 1463 | 1847 | 2785 | 3187 | 3764 | 3895 |
| KBH 800 P | 800 | 75.4 | 95.2 | 151 | 244 | 354 | 458 | 640 | 946 | 1148 | 1288 | 1491 | 1882 | 2838 | 3248 | 3835 | 3969 |
| KBH 825 P | 825 | 77.8 | 98.2 | 156 | 252 | 365 | 472 | 660 | 975 | 1184 | 1329 | 1537 | 1941 | 2927 | 3350 | 3955 | 4093 |
| KBH 840 P | 840 | 79.2 | 100 | 159 | 256 | 371 | 481 | 672 | 993 | 1205 | 1353 | 1565 | 1977 | 2980 | 3410 | 4027 | 4168 |
| KBH 865 P | 865 | 81.5 | 103 | 164 | 264 | 382 | 495 | 692 | 1022 | 1241 | 1393 | 1612 | 2035 | 3069 | 3512 | 4147 | 4292 |
| KBH 890 P | 890 | 83.9 | 106 | 168 | 272 | 394 | 509 | 712 | 1052 | 1277 | 1433 | 1658 | 2094 | 3157 | 3613 | 4267 | 4416 |
| KBH 910 P | 910 | 85.8 | 108 | 172 | 278 | 402 | 521 | 728 | 1076 | 1306 | 1465 | 1696 | 2141 | 3228 | 3695 | 4363 | 4515 |
| KBH 920 P | 920 | 86.7 | 109 | 174 | 281 | 407 | 527 | 736 | 1087 | 1320 | 1481 | 1714 | 2165 | 3264 | 3735 | 4411 | 4565 |
| KBH 930 P | 930 | 87.7 | 111 | 176 | 284 | 411 | 532 | 744 | 1099 | 1334 | 1498 | 1733 | 2188 | 3299 | 3776 | 4459 | 4614 |
| KBH 950 P | 950 | 89.5 | 113 | 180 | 290 | 420 | 544 | 760 | 1123 | 1363 | 1530 | 1770 | 2235 | 3370 | 3857 | 4555 | 4714 |
| KBH 990 P | 990 | 93.3 | 118 | 187 | 302 | 438 | 567 | 792 | 1170 | 1420 | 1594 | 1845 | 2330 | 3512 | 4019 | 4746 | 4912 |

Performance data of KBH range in Amperes

After fully charged with constant current charging at +20°C ±5°C (+68°F ± 9°F)

Final Cell Voltage: 1.10 V

| Cell Type | C ₅ Ah | Hours | | | | | | | Minutes | | | | | Seconds | | | |
|-----------|-------------------|-------|------|------|------|------|------|------|---------|------|------|------|------|---------|------|------|------|
| | | 10 | 8 | 5 | 3 | 2 | 1.5 | 1 | 30 | 20 | 15 | 10 | 5 | 60 | 30 | 5 | 1 |
| KBH 9 P | 9 | 0.88 | 1.11 | 1.73 | 2.83 | 4.17 | 5.45 | 7.82 | 13.0 | 15.9 | 18.1 | 21.3 | 26.7 | 41.0 | 47.5 | 57.9 | 62.1 |
| KBH 13 P | 13 | 1.27 | 1.60 | 2.50 | 4.09 | 6.02 | 7.87 | 11.3 | 18.8 | 23.0 | 26.2 | 30.7 | 38.6 | 59.2 | 68.7 | 83.6 | 89.7 |
| KBH 17 P | 17 | 1.66 | 2.09 | 3.27 | 5.35 | 7.87 | 10.3 | 14.8 | 24.6 | 30.1 | 34.2 | 40.1 | 50.5 | 77.4 | 89.8 | 109 | 117 |
| KBH 21 P | 21 | 2.05 | 2.58 | 4.03 | 6.61 | 9.73 | 12.7 | 18.3 | 30.4 | 37.1 | 42.3 | 49.6 | 62.4 | 95.6 | 111 | 135 | 145 |
| KBH 30 P | 30 | 2.92 | 3.69 | 5.76 | 9.44 | 13.9 | 18.2 | 26.1 | 43.5 | 53.0 | 60.4 | 70.8 | 89.1 | 137 | 158 | 193 | 207 |
| KBH 34 P | 34 | 3.31 | 4.18 | 6.53 | 10.7 | 15.7 | 20.6 | 29.6 | 49.3 | 60.1 | 68.5 | 80.3 | 101 | 155 | 180 | 219 | 234 |
| KBH 40 P | 40 | 3.90 | 4.92 | 7.81 | 12.8 | 18.6 | 24.3 | 34.8 | 57.1 | 68.7 | 78.1 | 90.6 | 111 | 166 | 190 | 226 | 237 |
| KBH 50 P | 50 | 4.87 | 6.15 | 9.76 | 16.0 | 23.2 | 30.3 | 43.5 | 71.4 | 85.9 | 97.6 | 113 | 139 | 208 | 237 | 282 | 296 |
| KBH 54 P | 54 | 5.26 | 6.64 | 10.5 | 17.3 | 25.0 | 32.7 | 47.0 | 78.2 | 95.6 | 109 | 128 | 161 | 246 | 285 | 348 | 371 |
| KBH 59 P | 59 | 5.75 | 7.26 | 11.5 | 18.9 | 27.3 | 35.7 | 51.3 | 85.5 | 104 | 119 | 139 | 175 | 269 | 311 | 380 | 405 |
| KBH 64 P | 64 | 6.24 | 7.87 | 12.5 | 20.5 | 29.7 | 38.8 | 55.6 | 92.7 | 113 | 129 | 151 | 190 | 291 | 338 | 412 | 440 |
| KBH 69 P | 69 | 6.73 | 8.49 | 13.5 | 22.1 | 32.0 | 41.8 | 60.0 | 99.9 | 122 | 140 | 163 | 205 | 314 | 364 | 444 | 474 |
| KBH 79 P | 79 | 7.70 | 9.72 | 15.4 | 25.3 | 36.6 | 47.9 | 68.7 | 114 | 140 | 160 | 187 | 235 | 360 | 417 | 508 | 543 |
| KBH 88 P | 88 | 8.58 | 10.8 | 17.2 | 28.2 | 40.8 | 53.3 | 76.5 | 127 | 156 | 178 | 208 | 262 | 401 | 464 | 566 | 605 |
| KBH 98 P | 98 | 9.55 | 12.1 | 19.1 | 31.4 | 45.4 | 59.4 | 85.2 | 142 | 173 | 198 | 231 | 291 | 446 | 517 | 631 | 673 |
| KBH 103 P | 103 | 10.0 | 12.7 | 20.1 | 33.0 | 47.7 | 62.4 | 89.6 | 149 | 182 | 208 | 243 | 306 | 469 | 543 | 663 | 708 |
| KBH 110 P | 110 | 10.7 | 13.5 | 21.4 | 35.2 | 51.0 | 66.6 | 95.6 | 159 | 195 | 223 | 260 | 327 | 501 | 580 | 708 | 756 |
| KBH 118 P | 118 | 11.5 | 14.5 | 23.0 | 37.8 | 54.7 | 71.5 | 103 | 171 | 209 | 239 | 279 | 351 | 537 | 622 | 759 | 811 |
| KBH 127 P | 127 | 12.4 | 15.6 | 24.8 | 40.7 | 58.8 | 76.9 | 110 | 184 | 225 | 257 | 300 | 377 | 578 | 670 | 817 | 873 |
| KBH 137 P | 137 | 13.4 | 16.8 | 26.7 | 43.9 | 63.5 | 83.0 | 119 | 198 | 242 | 277 | 324 | 407 | 624 | 723 | 882 | 941 |
| KBH 147 P | 147 | 14.3 | 18.1 | 28.7 | 47.1 | 68.1 | 89.1 | 128 | 213 | 260 | 297 | 347 | 437 | 669 | 775 | 946 | 1010 |
| KBH 157 P | 157 | 15.3 | 19.3 | 30.6 | 50.3 | 72.7 | 95.1 | 137 | 227 | 278 | 318 | 371 | 467 | 715 | 828 | 1011 | 1079 |
| KBH 170 P | 170 | 16.6 | 20.9 | 33.1 | 54.4 | 78.8 | 103 | 148 | 246 | 301 | 344 | 402 | 505 | 774 | 897 | 1094 | 1168 |
| KBH 177 P | 177 | 17.3 | 21.8 | 34.5 | 56.7 | 82.0 | 107 | 154 | 256 | 313 | 358 | 418 | 526 | 806 | 934 | 1139 | 1216 |
| KBH 185 P | 185 | 18.0 | 22.8 | 36.1 | 59.2 | 85.7 | 112 | 161 | 268 | 327 | 374 | 437 | 550 | 842 | 976 | 1191 | 1271 |
| KBH 196 P | 196 | 19.1 | 24.1 | 38.2 | 62.7 | 90.8 | 119 | 170 | 284 | 347 | 397 | 463 | 583 | 892 | 1034 | 1262 | 1347 |
| KBH 206 P | 206 | 20.1 | 25.3 | 40.2 | 65.9 | 95.5 | 125 | 179 | 298 | 365 | 417 | 487 | 612 | 938 | 1086 | 1326 | 1415 |
| KBH 218 P | 218 | 21.2 | 26.8 | 42.5 | 69.8 | 101 | 132 | 190 | 316 | 386 | 441 | 515 | 648 | 993 | 1150 | 1403 | 1498 |
| KBH 236 P | 236 | 23.0 | 29.0 | 46.0 | 75.5 | 109 | 143 | 205 | 342 | 418 | 477 | 557 | 701 | 1074 | 1245 | 1519 | 1621 |
| KBH 245 P | 245 | 23.9 | 30.1 | 47.8 | 78.4 | 114 | 148 | 213 | 355 | 434 | 496 | 579 | 728 | 1115 | 1292 | 1577 | 1683 |
| KBH 255 P | 255 | 24.9 | 31.4 | 49.8 | 81.6 | 118 | 155 | 222 | 364 | 438 | 498 | 577 | 710 | 1061 | 1209 | 1438 | 1510 |
| KBH 265 P | 265 | 25.8 | 32.6 | 51.7 | 84.8 | 123 | 161 | 231 | 379 | 455 | 517 | 600 | 738 | 1102 | 1256 | 1494 | 1569 |
| KBH 275 P | 275 | 26.8 | 33.8 | 53.7 | 88.0 | 128 | 167 | 239 | 393 | 472 | 537 | 623 | 766 | 1144 | 1303 | 1551 | 1629 |
| KBH 290 P | 290 | 28.3 | 35.7 | 56.6 | 92.8 | 135 | 176 | 252 | 414 | 498 | 566 | 657 | 808 | 1206 | 1374 | 1635 | 1717 |
| KBH 300 P | 300 | 29.2 | 36.9 | 58.5 | 96.0 | 139 | 182 | 261 | 429 | 515 | 586 | 679 | 835 | 1248 | 1422 | 1692 | 1777 |
| KBH 315 P | 315 | 30.7 | 38.8 | 61.5 | 101 | 146 | 191 | 274 | 450 | 541 | 615 | 713 | 877 | 1310 | 1493 | 1776 | 1865 |
| KBH 330 P | 330 | 32.2 | 40.6 | 64.4 | 106 | 153 | 200 | 287 | 471 | 567 | 644 | 747 | 919 | 1373 | 1564 | 1861 | 1954 |
| KBH 353 P | 353 | 34.4 | 43.4 | 68.8 | 113 | 164 | 214 | 307 | 511 | 625 | 714 | 834 | 1049 | 1607 | 1862 | 2272 | 2425 |
| KBH 362 P | 362 | 35.3 | 44.5 | 70.6 | 116 | 168 | 219 | 315 | 524 | 641 | 732 | 855 | 1076 | 1648 | 1909 | 2330 | 2487 |

Performance data of KBH range in Amperes

After fully charged with constant current charging at +20°C ±5°C (+68°F ± 9°F)

Final Cell Voltage: 1.10 V

| Cell Type | C ₅ Ah | Hours | | | | | | | Minutes | | | | | Seconds | | | |
|-----------|-------------------|-------|------|------|-----|-----|-----|-----|---------|------|------|------|------|---------|------|------|------|
| | | 10 | 8 | 5 | 3 | 2 | 1.5 | 1 | 30 | 20 | 15 | 10 | 5 | 60 | 30 | 5 | 1 |
| KBH 375 P | 375 | 36.5 | 46.1 | 73.2 | 120 | 174 | 228 | 326 | 536 | 644 | 732 | 849 | 1044 | 1560 | 1777 | 2114 | 2221 |
| KBH 393 P | 393 | 38.3 | 48.3 | 76.7 | 126 | 182 | 238 | 342 | 561 | 675 | 767 | 890 | 1094 | 1635 | 1863 | 2216 | 2327 |
| KBH 410 P | 410 | 40.0 | 50.4 | 80.0 | 131 | 190 | 249 | 357 | 586 | 704 | 800 | 929 | 1142 | 1706 | 1943 | 2312 | 2428 |
| KBH 420 P | 420 | 40.9 | 51.7 | 82.0 | 134 | 195 | 255 | 365 | 600 | 721 | 820 | 951 | 1170 | 1747 | 1991 | 2368 | 2487 |
| KBH 430 P | 430 | 41.9 | 52.9 | 83.9 | 138 | 200 | 261 | 374 | 614 | 738 | 839 | 974 | 1198 | 1789 | 2038 | 2424 | 2547 |
| KBH 450 P | 450 | 43.9 | 55.4 | 87.8 | 144 | 209 | 273 | 392 | 643 | 773 | 878 | 1019 | 1253 | 1872 | 2133 | 2537 | 2665 |
| KBH 471 P | 471 | 45.9 | 57.9 | 91.9 | 151 | 219 | 286 | 410 | 673 | 809 | 919 | 1067 | 1312 | 1959 | 2232 | 2656 | 2789 |
| KBH 481 P | 481 | 46.9 | 59.2 | 93.9 | 154 | 223 | 292 | 418 | 687 | 826 | 939 | 1089 | 1340 | 2001 | 2280 | 2712 | 2849 |
| KBH 491 P | 491 | 47.9 | 60.4 | 95.8 | 157 | 228 | 298 | 427 | 701 | 843 | 958 | 1112 | 1367 | 2043 | 2327 | 2768 | 2908 |
| KBH 510 P | 510 | 49.7 | 62.7 | 99.5 | 163 | 237 | 309 | 444 | 729 | 876 | 995 | 1155 | 1420 | 2122 | 2417 | 2876 | 3020 |
| KBH 530 P | 530 | 51.7 | 65.2 | 103 | 170 | 246 | 322 | 461 | 757 | 910 | 1034 | 1200 | 1476 | 2205 | 2512 | 2988 | 3139 |
| KBH 540 P | 540 | 52.6 | 66.4 | 105 | 173 | 251 | 328 | 470 | 771 | 927 | 1054 | 1223 | 1504 | 2247 | 2559 | 3045 | 3198 |
| KBH 560 P | 560 | 54.6 | 68.9 | 109 | 179 | 260 | 340 | 487 | 800 | 962 | 1093 | 1268 | 1560 | 2330 | 2654 | 3157 | 3316 |
| KBH 575 P | 575 | 56.0 | 70.7 | 112 | 184 | 267 | 349 | 500 | 821 | 987 | 1122 | 1302 | 1601 | 2392 | 2725 | 3242 | 3405 |
| KBH 590 P | 590 | 57.5 | 72.6 | 115 | 189 | 274 | 358 | 513 | 843 | 1013 | 1151 | 1336 | 1643 | 2455 | 2796 | 3327 | 3494 |
| KBH 600 P | 600 | 58.5 | 73.8 | 117 | 192 | 278 | 364 | 522 | 857 | 1030 | 1171 | 1359 | 1671 | 2496 | 2844 | 3383 | 3553 |
| KBH 615 P | 615 | 59.9 | 75.7 | 120 | 197 | 285 | 373 | 535 | 879 | 1056 | 1200 | 1393 | 1713 | 2559 | 2915 | 3468 | 3642 |
| KBH 630 P | 630 | 61.4 | 77.5 | 123 | 202 | 292 | 382 | 548 | 900 | 1082 | 1230 | 1427 | 1755 | 2621 | 2986 | 3552 | 3731 |
| KBH 640 P | 640 | 62.4 | 78.7 | 125 | 205 | 297 | 388 | 557 | 914 | 1099 | 1249 | 1449 | 1782 | 2663 | 3033 | 3609 | 3790 |
| KBH 655 P | 655 | 63.8 | 80.6 | 128 | 210 | 304 | 397 | 570 | 936 | 1125 | 1278 | 1483 | 1824 | 2725 | 3104 | 3693 | 3879 |
| KBH 670 P | 670 | 65.3 | 82.4 | 131 | 214 | 311 | 407 | 583 | 957 | 1151 | 1308 | 1517 | 1866 | 2787 | 3175 | 3778 | 3968 |
| KBH 680 P | 680 | 66.3 | 83.7 | 133 | 218 | 316 | 413 | 592 | 971 | 1168 | 1327 | 1540 | 1894 | 2829 | 3223 | 3834 | 4027 |
| KBH 690 P | 690 | 67.3 | 84.9 | 135 | 221 | 320 | 419 | 600 | 986 | 1185 | 1347 | 1563 | 1922 | 2871 | 3270 | 3890 | 4086 |
| KBH 705 P | 705 | 68.7 | 86.7 | 138 | 226 | 327 | 428 | 613 | 1007 | 1211 | 1376 | 1597 | 1963 | 2933 | 3341 | 3975 | 4175 |
| KBH 725 P | 725 | 70.7 | 89.2 | 141 | 232 | 336 | 440 | 631 | 1036 | 1245 | 1415 | 1642 | 2019 | 3016 | 3436 | 4088 | 4294 |
| KBH 755 P | 755 | 73.6 | 92.9 | 147 | 242 | 350 | 458 | 657 | 1079 | 1297 | 1474 | 1710 | 2103 | 3141 | 3578 | 4257 | 4471 |
| KBH 765 P | 765 | 74.6 | 94.1 | 149 | 245 | 355 | 464 | 666 | 1093 | 1314 | 1493 | 1732 | 2130 | 3183 | 3626 | 4313 | 4530 |
| KBH 785 P | 785 | 76.5 | 96.6 | 153 | 251 | 364 | 476 | 683 | 1121 | 1348 | 1532 | 1778 | 2186 | 3266 | 3720 | 4426 | 4649 |
| KBH 800 P | 800 | 78.0 | 98.4 | 156 | 256 | 371 | 485 | 696 | 1143 | 1374 | 1561 | 1812 | 2228 | 3328 | 3791 | 4511 | 4738 |
| KBH 825 P | 825 | 80.4 | 101 | 161 | 264 | 383 | 501 | 718 | 1179 | 1417 | 1610 | 1868 | 2298 | 3432 | 3910 | 4652 | 4886 |
| KBH 840 P | 840 | 81.9 | 103 | 164 | 269 | 390 | 510 | 731 | 1200 | 1443 | 1639 | 1902 | 2339 | 3495 | 3981 | 4736 | 4975 |
| KBH 865 P | 865 | 84.3 | 106 | 169 | 277 | 401 | 525 | 753 | 1236 | 1485 | 1688 | 1959 | 2409 | 3599 | 4100 | 4877 | 5123 |
| KBH 890 P | 890 | 86.7 | 109 | 174 | 285 | 413 | 540 | 774 | 1271 | 1528 | 1737 | 2016 | 2479 | 3703 | 4218 | 5018 | 5271 |
| KBH 910 P | 910 | 88.7 | 112 | 178 | 291 | 422 | 552 | 792 | 1300 | 1563 | 1776 | 2061 | 2534 | 3786 | 4313 | 5131 | 5389 |
| KBH 920 P | 920 | 89.7 | 113 | 180 | 294 | 427 | 558 | 800 | 1314 | 1580 | 1796 | 2084 | 2562 | 3827 | 4360 | 5187 | 5448 |
| KBH 930 P | 930 | 90.6 | 114 | 181 | 298 | 432 | 564 | 809 | 1329 | 1597 | 1815 | 2106 | 2590 | 3869 | 4408 | 5244 | 5508 |
| KBH 950 P | 950 | 92.6 | 117 | 185 | 304 | 441 | 576 | 827 | 1357 | 1631 | 1854 | 2151 | 2646 | 3952 | 4502 | 5356 | 5626 |
| KBH 990 P | 990 | 96.5 | 122 | 193 | 317 | 459 | 601 | 861 | 1414 | 1700 | 1932 | 2242 | 2757 | 4119 | 4692 | 5582 | 5863 |

Performance data of KBH range in Amperes

After fully charged with constant current charging at +20°C ±5°C (+68°F ± 9°F)

Final Cell Voltage: 1.05 V

| Cell Type | C ₅ Ah | Hours | | | | | | | Minutes | | | | | Seconds | | | |
|-----------|-------------------|-------|------|------|------|------|------|------|---------|------|------|------|------|---------|------|------|------|
| | | 10 | 8 | 5 | 3 | 2 | 1.5 | 1 | 30 | 20 | 15 | 10 | 5 | 60 | 30 | 5 | 1 |
| KBH 9 P | 9 | 0.90 | 1.12 | 1.77 | 2.92 | 4.32 | 5.68 | 8.21 | 14.6 | 19.1 | 21.5 | 25.4 | 32.0 | 48.8 | 55.4 | 68.5 | 73.8 |
| KBH 13 P | 13 | 1.30 | 1.62 | 2.56 | 4.22 | 6.24 | 8.20 | 11.9 | 21.1 | 27.5 | 31.1 | 36.7 | 46.2 | 70.5 | 80.1 | 98.9 | 107 |
| KBH 17 P | 17 | 1.70 | 2.12 | 3.35 | 5.52 | 8.16 | 10.7 | 15.5 | 27.6 | 36.0 | 40.7 | 48.0 | 60.4 | 92.1 | 105 | 129 | 139 |
| KBH 21 P | 21 | 2.10 | 2.62 | 4.14 | 6.82 | 10.1 | 13.3 | 19.2 | 34.1 | 44.5 | 50.2 | 59.3 | 74.6 | 114 | 129 | 160 | 172 |
| KBH 30 P | 30 | 3.00 | 3.74 | 5.91 | 9.75 | 14.4 | 18.9 | 27.4 | 48.7 | 63.5 | 71.7 | 84.8 | 107 | 163 | 185 | 228 | 246 |
| KBH 34 P | 34 | 3.40 | 4.24 | 6.70 | 11.0 | 16.3 | 21.5 | 31.0 | 55.2 | 72.0 | 81.3 | 96.1 | 121 | 184 | 209 | 259 | 279 |
| KBH 40 P | 40 | 4.00 | 4.98 | 7.89 | 13.0 | 19.2 | 25.2 | 36.5 | 64.9 | 82.8 | 93.0 | 109 | 135 | 196 | 221 | 267 | 278 |
| KBH 50 P | 50 | 5.00 | 6.23 | 9.86 | 16.2 | 24.0 | 31.5 | 45.6 | 81.2 | 104 | 116 | 136 | 168 | 245 | 276 | 333 | 348 |
| KBH 54 P | 54 | 5.39 | 6.72 | 10.6 | 17.5 | 25.9 | 34.0 | 49.1 | 88.3 | 114 | 129 | 153 | 192 | 293 | 333 | 411 | 442 |
| KBH 59 P | 59 | 5.89 | 7.35 | 11.6 | 19.2 | 28.3 | 37.1 | 53.7 | 96.5 | 125 | 141 | 167 | 210 | 321 | 363 | 449 | 483 |
| KBH 64 P | 64 | 6.39 | 7.97 | 12.6 | 20.8 | 30.7 | 40.3 | 58.2 | 105 | 135 | 153 | 181 | 227 | 348 | 394 | 487 | 524 |
| KBH 69 P | 69 | 6.89 | 8.59 | 13.6 | 22.4 | 33.1 | 43.4 | 62.8 | 113 | 146 | 165 | 195 | 245 | 375 | 425 | 525 | 565 |
| KBH 79 P | 79 | 7.89 | 9.84 | 15.6 | 25.7 | 37.9 | 49.7 | 71.9 | 129 | 167 | 189 | 223 | 281 | 429 | 487 | 601 | 647 |
| KBH 88 P | 88 | 8.79 | 11.0 | 17.3 | 28.6 | 42.2 | 55.4 | 80.1 | 144 | 186 | 211 | 249 | 313 | 478 | 542 | 669 | 720 |
| KBH 98 P | 98 | 9.79 | 12.2 | 19.3 | 31.8 | 47.0 | 61.7 | 89.2 | 160 | 207 | 234 | 277 | 348 | 533 | 604 | 746 | 802 |
| KBH 103 P | 103 | 10.3 | 12.8 | 20.3 | 33.4 | 49.4 | 64.8 | 93.7 | 168 | 218 | 246 | 291 | 366 | 560 | 634 | 784 | 843 |
| KBH 110 P | 110 | 11.0 | 13.7 | 21.7 | 35.7 | 52.8 | 69.2 | 100 | 180 | 233 | 263 | 311 | 391 | 598 | 678 | 837 | 901 |
| KBH 118 P | 118 | 11.8 | 14.7 | 23.3 | 38.3 | 56.6 | 74.2 | 107 | 193 | 250 | 282 | 333 | 419 | 641 | 727 | 898 | 966 |
| KBH 127 P | 127 | 12.7 | 15.8 | 25.0 | 41.2 | 61.0 | 79.9 | 116 | 208 | 269 | 304 | 359 | 451 | 690 | 782 | 966 | 1040 |
| KBH 137 P | 137 | 13.7 | 17.1 | 27.0 | 44.5 | 65.8 | 86.2 | 125 | 224 | 290 | 328 | 387 | 487 | 745 | 844 | 1042 | 1122 |
| KBH 147 P | 147 | 14.7 | 18.3 | 29.0 | 47.7 | 70.6 | 92.5 | 134 | 240 | 311 | 352 | 415 | 522 | 799 | 905 | 1118 | 1203 |
| KBH 157 P | 157 | 15.7 | 19.5 | 30.9 | 51.0 | 75.4 | 98.8 | 143 | 257 | 332 | 376 | 444 | 558 | 853 | 967 | 1194 | 1285 |
| KBH 170 P | 170 | 17.0 | 21.2 | 33.5 | 55.2 | 81.6 | 107 | 155 | 278 | 360 | 407 | 480 | 604 | 924 | 1047 | 1293 | 1392 |
| KBH 177 P | 177 | 17.7 | 22.0 | 34.9 | 57.5 | 85.0 | 111 | 161 | 289 | 375 | 423 | 500 | 629 | 962 | 1090 | 1347 | 1449 |
| KBH 185 P | 185 | 18.5 | 23.0 | 36.5 | 60.1 | 88.8 | 116 | 168 | 302 | 392 | 443 | 523 | 657 | 1005 | 1139 | 1407 | 1515 |
| KBH 196 P | 196 | 19.6 | 24.4 | 38.6 | 63.6 | 94.1 | 123 | 178 | 320 | 415 | 469 | 554 | 696 | 1065 | 1207 | 1491 | 1605 |
| KBH 206 P | 206 | 20.6 | 25.6 | 40.6 | 66.9 | 98.9 | 130 | 187 | 337 | 436 | 493 | 582 | 732 | 1120 | 1269 | 1567 | 1686 |
| KBH 218 P | 218 | 21.8 | 27.1 | 43.0 | 70.8 | 105 | 137 | 198 | 356 | 462 | 522 | 616 | 775 | 1185 | 1343 | 1658 | 1785 |
| KBH 236 P | 236 | 23.6 | 29.4 | 46.5 | 76.6 | 113 | 148 | 215 | 386 | 500 | 565 | 667 | 838 | 1283 | 1454 | 1795 | 1932 |
| KBH 245 P | 245 | 24.5 | 30.5 | 48.3 | 79.6 | 118 | 154 | 223 | 401 | 519 | 586 | 692 | 870 | 1332 | 1509 | 1864 | 2006 |
| KBH 255 P | 255 | 25.5 | 31.8 | 50.3 | 82.8 | 122 | 161 | 233 | 414 | 528 | 593 | 693 | 858 | 1250 | 1410 | 1700 | 1775 |
| KBH 265 P | 265 | 26.5 | 33.0 | 52.2 | 86.0 | 127 | 167 | 242 | 430 | 549 | 616 | 720 | 891 | 1299 | 1465 | 1767 | 1845 |
| KBH 275 P | 275 | 27.5 | 34.3 | 54.2 | 89.3 | 132 | 173 | 251 | 446 | 569 | 639 | 747 | 925 | 1348 | 1521 | 1833 | 1914 |
| KBH 290 P | 290 | 29.0 | 36.1 | 57.2 | 94.2 | 139 | 183 | 264 | 471 | 600 | 674 | 788 | 975 | 1421 | 1604 | 1933 | 2019 |
| KBH 300 P | 300 | 30.0 | 37.4 | 59.1 | 97.4 | 144 | 189 | 274 | 487 | 621 | 697 | 815 | 1009 | 1470 | 1659 | 2000 | 2088 |
| KBH 315 P | 315 | 31.5 | 39.2 | 62.1 | 102 | 151 | 198 | 287 | 511 | 652 | 732 | 856 | 1059 | 1544 | 1742 | 2100 | 2193 |
| KBH 330 P | 330 | 33.0 | 41.1 | 65.1 | 107 | 159 | 208 | 301 | 536 | 683 | 767 | 896 | 1110 | 1617 | 1825 | 2200 | 2297 |
| KBH 353 P | 353 | 35.3 | 43.9 | 69.6 | 115 | 169 | 222 | 321 | 577 | 747 | 845 | 997 | 1254 | 1918 | 2174 | 2685 | 2890 |
| KBH 362 P | 362 | 36.2 | 45.1 | 71.4 | 118 | 174 | 228 | 329 | 592 | 766 | 866 | 1023 | 1286 | 1967 | 2230 | 2754 | 2964 |

Performance data of KBH range in Amperes

After fully charged with constant current charging at +20°C ±5°C (+68°F ± 9°F)

Final Cell Voltage: 1.05 V

| Cell Type | C ₅ Ah | Hours | | | | | | | Minutes | | | | | Seconds | | | |
|-----------|-------------------|-------|------|------|-----|-----|-----|-----|---------|------|------|------|------|---------|------|------|------|
| | | 10 | 8 | 5 | 3 | 2 | 1.5 | 1 | 30 | 20 | 15 | 10 | 5 | 60 | 30 | 5 | 1 |
| KBH 375 P | 375 | 37.5 | 46.7 | 73.9 | 122 | 180 | 236 | 342 | 609 | 776 | 872 | 1019 | 1261 | 1838 | 2074 | 2500 | 2610 |
| KBH 393 P | 393 | 39.3 | 49.0 | 77.5 | 128 | 189 | 247 | 358 | 638 | 814 | 913 | 1068 | 1322 | 1926 | 2173 | 2620 | 2736 |
| KBH 410 P | 410 | 41.0 | 51.1 | 80.8 | 133 | 197 | 258 | 374 | 665 | 849 | 953 | 1114 | 1379 | 2010 | 2267 | 2733 | 2854 |
| KBH 420 P | 420 | 42.0 | 52.3 | 82.8 | 136 | 202 | 264 | 383 | 682 | 870 | 976 | 1141 | 1412 | 2059 | 2322 | 2800 | 2924 |
| KBH 430 P | 430 | 43.0 | 53.6 | 84.8 | 140 | 207 | 271 | 392 | 698 | 890 | 999 | 1168 | 1446 | 2108 | 2378 | 2867 | 2993 |
| KBH 450 P | 450 | 45.0 | 56.1 | 88.7 | 146 | 216 | 283 | 410 | 730 | 932 | 1046 | 1222 | 1513 | 2206 | 2488 | 3000 | 3132 |
| KBH 471 P | 471 | 47.1 | 58.7 | 92.9 | 153 | 226 | 297 | 429 | 764 | 975 | 1095 | 1279 | 1584 | 2309 | 2604 | 3140 | 3279 |
| KBH 481 P | 481 | 48.1 | 59.9 | 94.8 | 156 | 231 | 303 | 439 | 781 | 996 | 1118 | 1307 | 1617 | 2358 | 2660 | 3207 | 3348 |
| KBH 491 P | 491 | 49.1 | 61.2 | 96.8 | 159 | 236 | 309 | 448 | 797 | 1017 | 1141 | 1334 | 1651 | 2407 | 2715 | 3273 | 3418 |
| KBH 510 P | 510 | 50.9 | 63.5 | 101 | 166 | 245 | 321 | 465 | 828 | 1056 | 1185 | 1385 | 1715 | 2500 | 2820 | 3400 | 3550 |
| KBH 530 P | 530 | 52.9 | 66.0 | 104 | 172 | 255 | 334 | 483 | 860 | 1097 | 1232 | 1440 | 1782 | 2598 | 2931 | 3533 | 3689 |
| KBH 540 P | 540 | 53.9 | 67.3 | 106 | 175 | 259 | 340 | 492 | 876 | 1118 | 1255 | 1467 | 1816 | 2647 | 2986 | 3600 | 3759 |
| KBH 560 P | 560 | 55.9 | 69.8 | 110 | 182 | 269 | 353 | 511 | 909 | 1159 | 1302 | 1521 | 1883 | 2745 | 3097 | 3733 | 3898 |
| KBH 575 P | 575 | 57.4 | 71.6 | 113 | 187 | 276 | 362 | 524 | 933 | 1190 | 1336 | 1562 | 1934 | 2818 | 3180 | 3833 | 4003 |
| KBH 590 P | 590 | 58.9 | 73.5 | 116 | 192 | 283 | 371 | 538 | 958 | 1222 | 1371 | 1603 | 1984 | 2892 | 3262 | 3933 | 4107 |
| KBH 600 P | 600 | 59.9 | 74.7 | 118 | 195 | 288 | 378 | 547 | 974 | 1242 | 1395 | 1630 | 2018 | 2941 | 3318 | 4000 | 4177 |
| KBH 615 P | 615 | 61.4 | 76.6 | 121 | 200 | 295 | 387 | 561 | 998 | 1273 | 1429 | 1671 | 2068 | 3014 | 3401 | 4100 | 4281 |
| KBH 630 P | 630 | 62.9 | 78.5 | 124 | 205 | 303 | 397 | 574 | 1022 | 1304 | 1464 | 1711 | 2119 | 3088 | 3484 | 4200 | 4385 |
| KBH 640 P | 640 | 63.9 | 79.7 | 126 | 208 | 307 | 403 | 584 | 1039 | 1325 | 1488 | 1738 | 2152 | 3137 | 3539 | 4267 | 4455 |
| KBH 655 P | 655 | 65.4 | 81.6 | 129 | 213 | 315 | 412 | 597 | 1063 | 1356 | 1522 | 1779 | 2203 | 3210 | 3622 | 4367 | 4560 |
| KBH 670 P | 670 | 66.9 | 83.5 | 132 | 218 | 322 | 422 | 611 | 1087 | 1387 | 1557 | 1820 | 2253 | 3284 | 3705 | 4467 | 4664 |
| KBH 680 P | 680 | 67.9 | 84.7 | 134 | 221 | 327 | 428 | 620 | 1104 | 1408 | 1580 | 1847 | 2287 | 3333 | 3760 | 4533 | 4734 |
| KBH 690 P | 690 | 68.9 | 86.0 | 136 | 224 | 331 | 434 | 629 | 1120 | 1429 | 1604 | 1874 | 2320 | 3382 | 3815 | 4600 | 4803 |
| KBH 705 P | 705 | 70.4 | 87.8 | 139 | 229 | 339 | 444 | 643 | 1144 | 1460 | 1639 | 1915 | 2371 | 3455 | 3898 | 4700 | 4908 |
| KBH 725 P | 725 | 72.4 | 90.3 | 143 | 235 | 348 | 456 | 661 | 1177 | 1501 | 1685 | 1969 | 2438 | 3553 | 4009 | 4833 | 5047 |
| KBH 755 P | 755 | 75.4 | 94.1 | 149 | 245 | 363 | 475 | 688 | 1225 | 1563 | 1755 | 2051 | 2539 | 3700 | 4175 | 5033 | 5256 |
| KBH 765 P | 765 | 76.4 | 95.3 | 151 | 248 | 367 | 482 | 698 | 1242 | 1584 | 1778 | 2078 | 2573 | 3750 | 4230 | 5100 | 5325 |
| KBH 785 P | 785 | 78.4 | 97.8 | 155 | 255 | 377 | 494 | 716 | 1274 | 1625 | 1825 | 2132 | 2640 | 3848 | 4341 | 5233 | 5464 |
| KBH 800 P | 800 | 79.9 | 99.7 | 158 | 260 | 384 | 504 | 729 | 1298 | 1656 | 1859 | 2173 | 2690 | 3921 | 4424 | 5333 | 5569 |
| KBH 825 P | 825 | 82.4 | 103 | 163 | 268 | 396 | 519 | 752 | 1339 | 1708 | 1918 | 2241 | 2774 | 4044 | 4562 | 5500 | 5743 |
| KBH 840 P | 840 | 83.9 | 105 | 166 | 273 | 403 | 529 | 766 | 1363 | 1739 | 1952 | 2282 | 2825 | 4117 | 4645 | 5600 | 5847 |
| KBH 865 P | 865 | 86.4 | 108 | 171 | 281 | 415 | 545 | 789 | 1404 | 1791 | 2010 | 2350 | 2909 | 4240 | 4783 | 5767 | 6021 |
| KBH 890 P | 890 | 88.9 | 111 | 175 | 289 | 427 | 560 | 812 | 1444 | 1843 | 2069 | 2417 | 2993 | 4362 | 4921 | 5933 | 6195 |
| KBH 910 P | 910 | 90.9 | 113 | 179 | 295 | 437 | 573 | 830 | 1477 | 1884 | 2115 | 2472 | 3060 | 4460 | 5032 | 6067 | 6335 |
| KBH 920 P | 920 | 91.9 | 115 | 181 | 299 | 442 | 579 | 839 | 1493 | 1905 | 2138 | 2499 | 3094 | 4509 | 5087 | 6133 | 6404 |
| KBH 930 P | 930 | 92.9 | 116 | 183 | 302 | 447 | 585 | 848 | 1509 | 1925 | 2162 | 2526 | 3127 | 4558 | 5143 | 6200 | 6474 |
| KBH 950 P | 950 | 94.9 | 118 | 187 | 308 | 456 | 598 | 866 | 1542 | 1967 | 2208 | 2580 | 3195 | 4656 | 5253 | 6333 | 6613 |
| KBH 990 P | 990 | 98.9 | 123 | 195 | 321 | 476 | 623 | 903 | 1607 | 2050 | 2301 | 2689 | 3329 | 4852 | 5474 | 6600 | 6891 |

Performance data of KBH range in Amperes

After fully charged with constant current charging at +20°C ±5°C (+68°F ± 9°F)

Final Cell Voltage: 1.00 V

| Cell Type | C ₅ Ah | Hours | | | | | | | Minutes | | | | | Seconds | | | |
|-----------|-------------------|-------|------|------|------|------|------|------|---------|------|------|------|------|---------|------|------|------|
| | | 10 | 8 | 5 | 3 | 2 | 1.5 | 1 | 30 | 20 | 15 | 10 | 5 | 60 | 30 | 5 | 1 |
| KBH 9 P | 9 | 0.91 | 1.14 | 1.80 | 2.96 | 4.40 | 5.79 | 8.46 | 15.5 | 20.9 | 24.5 | 29.1 | 37.0 | 55.3 | 63.1 | 79.5 | 87.1 |
| KBH 13 P | 13 | 1.31 | 1.64 | 2.60 | 4.28 | 6.35 | 8.37 | 12.2 | 22.4 | 30.2 | 35.4 | 42.1 | 53.5 | 79.8 | 91.1 | 115 | 126 |
| KBH 17 P | 17 | 1.71 | 2.15 | 3.40 | 5.59 | 8.30 | 10.9 | 16.0 | 29.3 | 39.4 | 46.3 | 55.0 | 70.0 | 104 | 119 | 150 | 165 |
| KBH 21 P | 21 | 2.11 | 2.65 | 4.20 | 6.91 | 10.3 | 13.5 | 19.7 | 36.2 | 48.7 | 57.2 | 68.0 | 86.4 | 129 | 147 | 185 | 203 |
| KBH 30 P | 30 | 3.02 | 3.79 | 6.00 | 9.87 | 14.7 | 19.3 | 28.2 | 51.7 | 69.6 | 81.7 | 97.1 | 123 | 184 | 210 | 265 | 290 |
| KBH 34 P | 34 | 3.42 | 4.29 | 6.80 | 11.2 | 16.6 | 21.9 | 32.0 | 58.6 | 78.9 | 92.6 | 110 | 140 | 209 | 238 | 300 | 329 |
| KBH 40 P | 40 | 4.03 | 5.05 | 8.00 | 13.2 | 19.6 | 25.8 | 37.7 | 68.4 | 91.9 | 106 | 125 | 156 | 225 | 254 | 309 | 329 |
| KBH 50 P | 50 | 5.04 | 6.31 | 10.0 | 16.5 | 24.4 | 32.2 | 47.1 | 85.5 | 115 | 133 | 156 | 195 | 281 | 318 | 386 | 411 |
| KBH 54 P | 54 | 5.44 | 6.82 | 10.8 | 17.8 | 26.4 | 34.8 | 50.8 | 93.2 | 125 | 147 | 175 | 222 | 332 | 379 | 477 | 523 |
| KBH 59 P | 59 | 5.94 | 7.45 | 11.8 | 19.5 | 28.8 | 38.0 | 55.5 | 102 | 137 | 161 | 191 | 243 | 363 | 414 | 521 | 571 |
| KBH 64 P | 64 | 6.45 | 8.08 | 12.8 | 21.1 | 31.3 | 41.2 | 60.2 | 110 | 148 | 174 | 207 | 263 | 393 | 449 | 565 | 620 |
| KBH 69 P | 69 | 6.95 | 8.71 | 13.8 | 22.8 | 33.7 | 44.4 | 64.9 | 119 | 160 | 188 | 223 | 284 | 424 | 484 | 609 | 668 |
| KBH 79 P | 79 | 7.96 | 9.98 | 15.8 | 26.1 | 38.6 | 50.8 | 74.3 | 136 | 183 | 215 | 255 | 325 | 485 | 554 | 697 | 765 |
| KBH 88 P | 88 | 8.86 | 11.1 | 17.6 | 29.1 | 43.0 | 56.6 | 82.8 | 152 | 204 | 240 | 285 | 362 | 541 | 617 | 777 | 852 |
| KBH 98 P | 98 | 9.87 | 12.4 | 19.6 | 32.4 | 47.9 | 63.1 | 92.2 | 169 | 227 | 267 | 317 | 403 | 602 | 688 | 865 | 949 |
| KBH 103 P | 103 | 10.4 | 13.0 | 20.6 | 34.0 | 50.3 | 66.3 | 96.9 | 178 | 239 | 281 | 333 | 424 | 633 | 723 | 909 | 997 |
| KBH 110 P | 110 | 11.1 | 13.9 | 22.0 | 36.3 | 53.7 | 70.8 | 103 | 190 | 255 | 300 | 356 | 453 | 676 | 772 | 971 | 1065 |
| KBH 118 P | 118 | 11.9 | 14.9 | 23.6 | 39.0 | 57.6 | 75.9 | 111 | 204 | 274 | 322 | 382 | 486 | 725 | 828 | 1041 | 1143 |
| KBH 127 P | 127 | 12.8 | 16.0 | 25.4 | 41.9 | 62.0 | 81.7 | 119 | 219 | 295 | 346 | 411 | 523 | 780 | 891 | 1121 | 1230 |
| KBH 137 P | 137 | 13.8 | 17.3 | 27.4 | 45.2 | 66.9 | 88.2 | 129 | 236 | 318 | 373 | 443 | 564 | 842 | 961 | 1209 | 1326 |
| KBH 147 P | 147 | 14.8 | 18.6 | 29.4 | 48.5 | 71.8 | 94.6 | 138 | 254 | 341 | 401 | 475 | 605 | 903 | 1031 | 1297 | 1423 |
| KBH 157 P | 157 | 15.8 | 19.8 | 31.4 | 51.8 | 76.7 | 101 | 148 | 271 | 364 | 428 | 508 | 646 | 965 | 1101 | 1386 | 1520 |
| KBH 170 P | 170 | 17.1 | 21.5 | 34.0 | 56.1 | 83.0 | 109 | 160 | 293 | 394 | 463 | 550 | 700 | 1045 | 1193 | 1500 | 1646 |
| KBH 177 P | 177 | 17.8 | 22.4 | 35.4 | 58.4 | 86.4 | 114 | 167 | 305 | 410 | 482 | 572 | 729 | 1088 | 1242 | 1562 | 1714 |
| KBH 185 P | 185 | 18.6 | 23.4 | 37.0 | 61.1 | 90.3 | 119 | 174 | 319 | 429 | 504 | 598 | 762 | 1137 | 1298 | 1633 | 1791 |
| KBH 196 P | 196 | 19.7 | 24.8 | 39.2 | 64.7 | 95.7 | 126 | 184 | 338 | 455 | 534 | 634 | 807 | 1204 | 1375 | 1730 | 1898 |
| KBH 206 P | 206 | 20.7 | 26.0 | 41.2 | 68.0 | 101 | 133 | 194 | 356 | 478 | 562 | 666 | 848 | 1266 | 1445 | 1818 | 1995 |
| KBH 218 P | 218 | 22.0 | 27.5 | 43.6 | 72.0 | 106 | 140 | 205 | 376 | 506 | 594 | 705 | 897 | 1340 | 1529 | 1924 | 2111 |
| KBH 236 P | 236 | 23.8 | 29.8 | 47.2 | 77.9 | 115 | 152 | 222 | 407 | 547 | 643 | 763 | 972 | 1450 | 1656 | 2083 | 2285 |
| KBH 245 P | 245 | 24.7 | 30.9 | 49.0 | 80.9 | 120 | 158 | 230 | 423 | 568 | 668 | 792 | 1009 | 1505 | 1719 | 2162 | 2372 |
| KBH 255 P | 255 | 25.7 | 32.2 | 51.0 | 84.2 | 125 | 164 | 240 | 436 | 586 | 676 | 797 | 992 | 1435 | 1620 | 1970 | 2095 |
| KBH 265 P | 265 | 26.7 | 33.5 | 53.0 | 87.5 | 130 | 171 | 250 | 453 | 609 | 703 | 828 | 1031 | 1491 | 1684 | 2047 | 2177 |
| KBH 275 P | 275 | 27.7 | 34.7 | 55.0 | 90.8 | 134 | 177 | 259 | 470 | 632 | 729 | 859 | 1070 | 1548 | 1747 | 2124 | 2259 |
| KBH 290 P | 290 | 29.2 | 36.6 | 58.0 | 95.7 | 142 | 187 | 273 | 496 | 667 | 769 | 906 | 1129 | 1632 | 1842 | 2240 | 2382 |
| KBH 300 P | 300 | 30.2 | 37.9 | 60.0 | 99.0 | 147 | 193 | 283 | 513 | 690 | 796 | 938 | 1167 | 1688 | 1906 | 2317 | 2465 |
| KBH 315 P | 315 | 31.7 | 39.8 | 63.0 | 104 | 154 | 203 | 297 | 539 | 724 | 836 | 984 | 1226 | 1773 | 2001 | 2433 | 2588 |
| KBH 330 P | 330 | 33.2 | 41.7 | 66.0 | 109 | 161 | 213 | 311 | 564 | 758 | 875 | 1031 | 1284 | 1857 | 2097 | 2549 | 2711 |
| KBH 353 P | 353 | 35.5 | 44.6 | 70.6 | 117 | 172 | 227 | 332 | 609 | 819 | 962 | 1141 | 1453 | 2169 | 2476 | 3115 | 3418 |
| KBH 362 P | 362 | 36.5 | 45.7 | 72.4 | 120 | 177 | 233 | 341 | 625 | 840 | 987 | 1170 | 1490 | 2224 | 2540 | 3195 | 3505 |

Performance data of KBH range in Amperes

After fully charged with constant current charging at +20°C ±5°C (+68°F ± 9°F)

| | | | | | | | | | | | | | | | | | |
|----------------------------|--|--|--|--|--|--|--|--|--|--|--|--|--|--|--|--|--|
| Final Cell Voltage: 1.00 V | | | | | | | | | | | | | | | | | |
|----------------------------|--|--|--|--|--|--|--|--|--|--|--|--|--|--|--|--|--|

| Cell Type | C ₅ Ah | Hours | | | | | | | Minutes | | | | | Seconds | | | |
|-----------|-------------------|-------|------|------|-----|-----|-----|-----|---------|------|------|------|------|---------|------|------|------|
| | | 10 | 8 | 5 | 3 | 2 | 1.5 | 1 | 30 | 20 | 15 | 10 | 5 | 60 | 30 | 5 | 1 |
| KBH 375 P | 375 | 37.8 | 47.4 | 75.0 | 124 | 183 | 241 | 353 | 641 | 862 | 995 | 1172 | 1459 | 2110 | 2382 | 2897 | 3081 |
| KBH 393 P | 393 | 39.6 | 49.6 | 78.6 | 130 | 192 | 253 | 370 | 672 | 903 | 1042 | 1228 | 1529 | 2212 | 2497 | 3036 | 3229 |
| KBH 410 P | 410 | 41.3 | 51.8 | 82.0 | 135 | 200 | 264 | 386 | 701 | 942 | 1088 | 1281 | 1596 | 2307 | 2605 | 3167 | 3368 |
| KBH 420 P | 420 | 42.3 | 53.0 | 84.0 | 139 | 205 | 270 | 396 | 718 | 965 | 1114 | 1313 | 1634 | 2364 | 2668 | 3244 | 3451 |
| KBH 430 P | 430 | 43.3 | 54.3 | 86.0 | 142 | 210 | 277 | 405 | 735 | 988 | 1141 | 1344 | 1673 | 2420 | 2732 | 3321 | 3533 |
| KBH 450 P | 450 | 45.3 | 56.8 | 90.0 | 149 | 220 | 290 | 424 | 770 | 1034 | 1194 | 1406 | 1751 | 2533 | 2859 | 3476 | 3697 |
| KBH 471 P | 471 | 47.4 | 59.5 | 94.2 | 155 | 230 | 303 | 444 | 806 | 1083 | 1249 | 1472 | 1833 | 2651 | 2992 | 3638 | 3870 |
| KBH 481 P | 481 | 48.4 | 60.7 | 96.2 | 159 | 235 | 310 | 453 | 823 | 1106 | 1276 | 1503 | 1872 | 2707 | 3056 | 3715 | 3952 |
| KBH 491 P | 491 | 49.4 | 62.0 | 98.2 | 162 | 240 | 316 | 463 | 840 | 1128 | 1302 | 1534 | 1911 | 2763 | 3119 | 3793 | 4034 |
| KBH 510 P | 510 | 51.4 | 64.4 | 102 | 168 | 249 | 328 | 480 | 872 | 1172 | 1353 | 1594 | 1985 | 2870 | 3240 | 3939 | 4190 |
| KBH 530 P | 530 | 53.4 | 66.9 | 106 | 175 | 259 | 341 | 499 | 907 | 1218 | 1406 | 1656 | 2063 | 2983 | 3367 | 4094 | 4354 |
| KBH 540 P | 540 | 54.4 | 68.2 | 108 | 178 | 264 | 348 | 509 | 924 | 1241 | 1432 | 1688 | 2101 | 3039 | 3431 | 4171 | 4436 |
| KBH 560 P | 560 | 56.4 | 70.7 | 112 | 185 | 274 | 361 | 528 | 958 | 1287 | 1485 | 1750 | 2179 | 3152 | 3558 | 4326 | 4601 |
| KBH 575 P | 575 | 57.9 | 72.6 | 115 | 190 | 281 | 370 | 542 | 983 | 1322 | 1525 | 1797 | 2238 | 3236 | 3653 | 4441 | 4724 |
| KBH 590 P | 590 | 59.4 | 74.5 | 118 | 195 | 289 | 380 | 556 | 1009 | 1356 | 1565 | 1844 | 2296 | 3320 | 3748 | 4557 | 4847 |
| KBH 600 P | 600 | 60.4 | 75.8 | 120 | 198 | 293 | 386 | 565 | 1026 | 1379 | 1592 | 1875 | 2335 | 3377 | 3812 | 4635 | 4929 |
| KBH 615 P | 615 | 61.9 | 77.7 | 123 | 203 | 301 | 396 | 579 | 1052 | 1413 | 1631 | 1922 | 2393 | 3461 | 3907 | 4750 | 5053 |
| KBH 630 P | 630 | 63.4 | 79.6 | 126 | 208 | 308 | 406 | 594 | 1078 | 1448 | 1671 | 1969 | 2452 | 3546 | 4002 | 4866 | 5176 |
| KBH 640 P | 640 | 64.5 | 80.8 | 128 | 211 | 313 | 412 | 603 | 1095 | 1471 | 1698 | 2000 | 2491 | 3602 | 4066 | 4944 | 5258 |
| KBH 655 P | 655 | 66.0 | 82.7 | 131 | 216 | 320 | 422 | 617 | 1120 | 1505 | 1737 | 2047 | 2549 | 3686 | 4161 | 5059 | 5381 |
| KBH 670 P | 670 | 67.5 | 84.6 | 134 | 221 | 328 | 431 | 631 | 1146 | 1540 | 1777 | 2094 | 2607 | 3771 | 4257 | 5175 | 5504 |
| KBH 680 P | 680 | 68.5 | 85.9 | 136 | 224 | 333 | 438 | 641 | 1163 | 1563 | 1804 | 2125 | 2646 | 3827 | 4320 | 5252 | 5587 |
| KBH 690 P | 690 | 69.5 | 87.1 | 138 | 228 | 337 | 444 | 650 | 1180 | 1586 | 1830 | 2156 | 2685 | 3883 | 4384 | 5330 | 5669 |
| KBH 705 P | 705 | 71.0 | 89.0 | 141 | 233 | 345 | 454 | 664 | 1206 | 1620 | 1870 | 2203 | 2744 | 3968 | 4479 | 5446 | 5792 |
| KBH 725 P | 725 | 73.0 | 91.6 | 145 | 239 | 355 | 467 | 683 | 1240 | 1666 | 1923 | 2266 | 2821 | 4080 | 4606 | 5600 | 5956 |
| KBH 755 P | 755 | 76.0 | 95.4 | 151 | 249 | 369 | 486 | 711 | 1291 | 1735 | 2003 | 2359 | 2938 | 4249 | 4797 | 5832 | 6203 |
| KBH 765 P | 765 | 77.0 | 96.6 | 153 | 253 | 374 | 493 | 721 | 1308 | 1758 | 2029 | 2391 | 2977 | 4305 | 4860 | 5909 | 6285 |
| KBH 785 P | 785 | 79.1 | 99.1 | 157 | 259 | 384 | 506 | 740 | 1343 | 1804 | 2082 | 2453 | 3055 | 4418 | 4987 | 6064 | 6449 |
| KBH 800 P | 800 | 80.6 | 101 | 160 | 264 | 391 | 515 | 754 | 1368 | 1839 | 2122 | 2500 | 3113 | 4502 | 5082 | 6179 | 6572 |
| KBH 825 P | 825 | 83.1 | 104 | 165 | 272 | 403 | 531 | 777 | 1411 | 1896 | 2188 | 2578 | 3211 | 4643 | 5241 | 6373 | 6778 |
| KBH 840 P | 840 | 84.6 | 106 | 168 | 277 | 411 | 541 | 791 | 1437 | 1931 | 2228 | 2625 | 3269 | 4727 | 5337 | 6488 | 6901 |
| KBH 865 P | 865 | 87.1 | 109 | 173 | 286 | 423 | 557 | 815 | 1480 | 1988 | 2294 | 2703 | 3366 | 4868 | 5495 | 6681 | 7106 |
| KBH 890 P | 890 | 89.6 | 112 | 178 | 294 | 435 | 573 | 838 | 1522 | 2046 | 2361 | 2781 | 3464 | 5009 | 5654 | 6875 | 7312 |
| KBH 910 P | 910 | 91.6 | 115 | 182 | 300 | 445 | 586 | 857 | 1556 | 2092 | 2414 | 2844 | 3541 | 5121 | 5781 | 7029 | 7476 |
| KBH 920 P | 920 | 92.6 | 116 | 184 | 304 | 450 | 592 | 867 | 1574 | 2114 | 2440 | 2875 | 3580 | 5178 | 5845 | 7106 | 7558 |
| KBH 930 P | 930 | 93.7 | 117 | 186 | 307 | 455 | 599 | 876 | 1591 | 2137 | 2467 | 2906 | 3619 | 5234 | 5908 | 7184 | 7640 |
| KBH 950 P | 950 | 95.7 | 120 | 190 | 314 | 465 | 612 | 895 | 1625 | 2183 | 2520 | 2969 | 3697 | 5346 | 6035 | 7338 | 7805 |
| KBH 990 P | 990 | 99.7 | 125 | 198 | 327 | 484 | 638 | 933 | 1693 | 2275 | 2626 | 3094 | 3853 | 5572 | 6290 | 7647 | 8133 |

Performance data of KBH range in Amperes

After fully charged with constant current charging at +20°C ±5°C (+68°F ± 9°F)

Final Cell Voltage: 0.85 V

| Cell Type | C ₅ Ah | Seconds | | | | |
|-----------|-------------------|---------|------|------|------|------|
| | | 90 | 60 | 30 | 5 | 1 |
| KBH 9 P | 9 | 68.2 | 75.6 | 85.7 | 111 | 120 |
| KBH 13 P | 13 | 98.5 | 109 | 124 | 160 | 173 |
| KBH 17 P | 17 | 129 | 143 | 162 | 210 | 227 |
| KBH 21 P | 21 | 159 | 176 | 200 | 259 | 280 |
| KBH 30 P | 30 | 227 | 252 | 286 | 370 | 400 |
| KBH 34 P | 34 | 258 | 286 | 324 | 420 | 453 |
| KBH 40 P | 40 | 284 | 310 | 348 | 426 | 465 |
| KBH 50 P | 50 | 355 | 388 | 435 | 532 | 581 |
| KBH 54 P | 54 | 409 | 454 | 514 | 667 | 720 |
| KBH 59 P | 59 | 447 | 496 | 562 | 728 | 787 |
| KBH 64 P | 64 | 485 | 538 | 610 | 790 | 853 |
| KBH 69 P | 69 | 523 | 580 | 657 | 852 | 920 |
| KBH 79 P | 79 | 598 | 664 | 752 | 975 | 1053 |
| KBH 88 P | 88 | 667 | 739 | 838 | 1086 | 1173 |
| KBH 98 P | 98 | 742 | 824 | 933 | 1210 | 1307 |
| KBH 103 P | 103 | 780 | 866 | 981 | 1272 | 1373 |
| KBH 110 P | 110 | 833 | 924 | 1048 | 1358 | 1467 |
| KBH 118 P | 118 | 894 | 992 | 1124 | 1457 | 1573 |
| KBH 127 P | 127 | 962 | 1067 | 1210 | 1568 | 1693 |
| KBH 137 P | 137 | 1038 | 1151 | 1305 | 1691 | 1827 |
| KBH 147 P | 147 | 1114 | 1235 | 1400 | 1815 | 1960 |
| KBH 157 P | 157 | 1189 | 1319 | 1495 | 1938 | 2093 |
| KBH 170 P | 170 | 1288 | 1429 | 1619 | 2099 | 2267 |
| KBH 177 P | 177 | 1341 | 1487 | 1686 | 2185 | 2360 |
| KBH 185 P | 185 | 1402 | 1555 | 1762 | 2284 | 2467 |
| KBH 196 P | 196 | 1485 | 1647 | 1867 | 2420 | 2613 |
| KBH 206 P | 206 | 1561 | 1731 | 1962 | 2543 | 2747 |
| KBH 218 P | 218 | 1652 | 1832 | 2076 | 2691 | 2907 |
| KBH 236 P | 236 | 1788 | 1983 | 2248 | 2914 | 3147 |
| KBH 245 P | 245 | 1856 | 2059 | 2333 | 3025 | 3267 |
| KBH 255 P | 255 | 1809 | 1977 | 2217 | 2713 | 2965 |
| KBH 265 P | 265 | 1879 | 2054 | 2304 | 2819 | 3081 |
| KBH 275 P | 275 | 1950 | 2132 | 2391 | 2926 | 3198 |
| KBH 290 P | 290 | 2057 | 2248 | 2522 | 3085 | 3372 |
| KBH 300 P | 300 | 2128 | 2326 | 2609 | 3191 | 3488 |
| KBH 315 P | 315 | 2234 | 2442 | 2739 | 3351 | 3663 |
| KBH 330 P | 330 | 2340 | 2558 | 2870 | 3511 | 3837 |
| KBH 353 P | 353 | 2674 | 2966 | 3362 | 4358 | 4707 |
| KBH 362 P | 362 | 2742 | 3042 | 3448 | 4469 | 4827 |

Final Cell Voltage: 0.65 V

| Cell type | C ₅ Ah | Seconds | | | | |
|-----------|-------------------|---------|------|------|------|------|
| | | 90 | 60 | 30 | 5 | 1 |
| KBH 9 P | 9 | 88.2 | 98.9 | 113 | 145 | 161 |
| KBH 13 P | 13 | 127 | 143 | 163 | 210 | 232 |
| KBH 17 P | 17 | 167 | 187 | 213 | 274 | 304 |
| KBH 21 P | 21 | 206 | 231 | 263 | 339 | 375 |
| KBH 30 P | 30 | 294 | 330 | 375 | 484 | 536 |
| KBH 34 P | 34 | 333 | 374 | 425 | 548 | 607 |
| KBH 40 P | 40 | 374 | 412 | 465 | 580 | 625 |
| KBH 50 P | 50 | 467 | 515 | 581 | 725 | 781 |
| KBH 54 P | 54 | 529 | 593 | 675 | 871 | 964 |
| KBH 59 P | 59 | 578 | 648 | 738 | 952 | 1054 |
| KBH 64 P | 64 | 627 | 703 | 800 | 1032 | 1143 |
| KBH 69 P | 69 | 676 | 758 | 863 | 1113 | 1232 |
| KBH 79 P | 79 | 775 | 868 | 988 | 1274 | 1411 |
| KBH 88 P | 88 | 863 | 967 | 1100 | 1419 | 1571 |
| KBH 98 P | 98 | 961 | 1077 | 1225 | 1581 | 1750 |
| KBH 103 P | 103 | 1010 | 1132 | 1288 | 1661 | 1839 |
| KBH 110 P | 110 | 1078 | 1209 | 1375 | 1774 | 1964 |
| KBH 118 P | 118 | 1157 | 1297 | 1475 | 1903 | 2107 |
| KBH 127 P | 127 | 1245 | 1396 | 1588 | 2048 | 2268 |
| KBH 137 P | 137 | 1343 | 1505 | 1713 | 2210 | 2446 |
| KBH 147 P | 147 | 1441 | 1615 | 1838 | 2371 | 2625 |
| KBH 157 P | 157 | 1539 | 1725 | 1963 | 2532 | 2804 |
| KBH 170 P | 170 | 1667 | 1868 | 2125 | 2742 | 3036 |
| KBH 177 P | 177 | 1735 | 1945 | 2213 | 2855 | 3161 |
| KBH 185 P | 185 | 1814 | 2033 | 2313 | 2984 | 3304 |
| KBH 196 P | 196 | 1922 | 2154 | 2450 | 3161 | 3500 |
| KBH 206 P | 206 | 2020 | 2264 | 2575 | 3323 | 3679 |
| KBH 218 P | 218 | 2137 | 2396 | 2725 | 3516 | 3893 |
| KBH 236 P | 236 | 2314 | 2593 | 2950 | 3806 | 4214 |
| KBH 245 P | 245 | 2402 | 2692 | 3063 | 3952 | 4375 |
| KBH 255 P | 255 | 2383 | 2629 | 2965 | 3696 | 3984 |
| KBH 265 P | 265 | 2477 | 2732 | 3081 | 3841 | 4141 |
| KBH 275 P | 275 | 2570 | 2835 | 3198 | 3986 | 4297 |
| KBH 290 P | 290 | 2710 | 2990 | 3372 | 4203 | 4531 |
| KBH 300 P | 300 | 2804 | 3093 | 3488 | 4348 | 4688 |
| KBH 315 P | 315 | 2944 | 3247 | 3663 | 4565 | 4922 |
| KBH 330 P | 330 | 3084 | 3402 | 3837 | 4783 | 5156 |
| KBH 353 P | 353 | 3461 | 3879 | 4413 | 5694 | 6304 |
| KBH 362 P | 362 | 3549 | 3978 | 4525 | 5839 | 6464 |

Performance data of KBH range in Amperes

After fully charged with constant current charging at +20°C ±5°C (+68°F ± 9°F)

Final Cell Voltage: 0.85 V

| Cell Type | C ₅ Ah | Seconds | | | | |
|-----------|-------------------|---------|------|------|-------|-------|
| | | 90 | 60 | 30 | 5 | 1 |
| KBH 375 P | 375 | 2660 | 2907 | 3261 | 3989 | 4360 |
| KBH 393 P | 393 | 2787 | 3047 | 3417 | 4181 | 4570 |
| KBH 410 P | 410 | 2908 | 3178 | 3565 | 4362 | 4767 |
| KBH 420 P | 420 | 2979 | 3256 | 3652 | 4468 | 4884 |
| KBH 430 P | 430 | 3050 | 3333 | 3739 | 4574 | 5000 |
| KBH 450 P | 450 | 3191 | 3488 | 3913 | 4787 | 5233 |
| KBH 471 P | 471 | 3340 | 3651 | 4096 | 5011 | 5477 |
| KBH 481 P | 481 | 3411 | 3729 | 4183 | 5117 | 5593 |
| KBH 491 P | 491 | 3482 | 3806 | 4270 | 5223 | 5709 |
| KBH 510 P | 510 | 3617 | 3953 | 4435 | 5426 | 5930 |
| KBH 530 P | 530 | 3759 | 4109 | 4609 | 5638 | 6163 |
| KBH 540 P | 540 | 3830 | 4186 | 4696 | 5745 | 6279 |
| KBH 560 P | 560 | 3972 | 4341 | 4870 | 5957 | 6512 |
| KBH 575 P | 575 | 4078 | 4457 | 5000 | 6117 | 6686 |
| KBH 590 P | 590 | 4184 | 4574 | 5130 | 6277 | 6860 |
| KBH 600 P | 600 | 4255 | 4651 | 5217 | 6383 | 6977 |
| KBH 615 P | 615 | 4362 | 4767 | 5348 | 6543 | 7151 |
| KBH 630 P | 630 | 4468 | 4884 | 5478 | 6702 | 7326 |
| KBH 640 P | 640 | 4539 | 4961 | 5565 | 6809 | 7442 |
| KBH 655 P | 655 | 4645 | 5078 | 5696 | 6968 | 7616 |
| KBH 670 P | 670 | 4752 | 5194 | 5826 | 7128 | 7791 |
| KBH 680 P | 680 | 4823 | 5271 | 5913 | 7234 | 7907 |
| KBH 690 P | 690 | 4894 | 5349 | 6000 | 7340 | 8023 |
| KBH 705 P | 705 | 5000 | 5465 | 6130 | 7500 | 8198 |
| KBH 725 P | 725 | 5142 | 5620 | 6304 | 7713 | 8430 |
| KBH 755 P | 755 | 5355 | 5853 | 6565 | 8032 | 8779 |
| KBH 765 P | 765 | 5426 | 5930 | 6652 | 8138 | 8895 |
| KBH 785 P | 785 | 5567 | 6085 | 6826 | 8351 | 9128 |
| KBH 800 P | 800 | 5674 | 6202 | 6957 | 8511 | 9302 |
| KBH 825 P | 825 | 5851 | 6395 | 7174 | 8777 | 9593 |
| KBH 840 P | 840 | 5957 | 6512 | 7304 | 8936 | 9767 |
| KBH 865 P | 865 | 6135 | 6705 | 7522 | 9202 | 10058 |
| KBH 890 P | 890 | 6312 | 6899 | 7739 | 9468 | 10349 |
| KBH 910 P | 910 | 6454 | 7054 | 7913 | 9681 | 10581 |
| KBH 920 P | 920 | 6525 | 7132 | 8000 | 9787 | 10698 |
| KBH 930 P | 930 | 6596 | 7209 | 8087 | 9894 | 10814 |
| KBH 950 P | 950 | 6738 | 7364 | 8261 | 10106 | 11047 |
| KBH 990 P | 990 | 7021 | 7674 | 8609 | 10532 | 11512 |

Final Cell Voltage: 0.65 V

| Cell Type | C ₅ Ah | Seconds | | | | |
|-----------|-------------------|---------|-------|-------|-------|-------|
| | | 90 | 60 | 30 | 5 | 1 |
| KBH 375 P | 375 | 3505 | 3866 | 4360 | 5435 | 5859 |
| KBH 393 P | 393 | 3673 | 4052 | 4570 | 5696 | 6141 |
| KBH 410 P | 410 | 3832 | 4227 | 4767 | 5942 | 6406 |
| KBH 420 P | 420 | 3925 | 4330 | 4884 | 6087 | 6563 |
| KBH 430 P | 430 | 4019 | 4433 | 5000 | 6232 | 6719 |
| KBH 450 P | 450 | 4206 | 4639 | 5233 | 6522 | 7031 |
| KBH 471 P | 471 | 4402 | 4856 | 5477 | 6826 | 7359 |
| KBH 481 P | 481 | 4495 | 4959 | 5593 | 6971 | 7516 |
| KBH 491 P | 491 | 4589 | 5062 | 5709 | 7116 | 7672 |
| KBH 510 P | 510 | 4766 | 5258 | 5930 | 7391 | 7969 |
| KBH 530 P | 530 | 4953 | 5464 | 6163 | 7681 | 8281 |
| KBH 540 P | 540 | 5047 | 5567 | 6279 | 7826 | 8438 |
| KBH 560 P | 560 | 5234 | 5773 | 6512 | 8116 | 8750 |
| KBH 575 P | 575 | 5374 | 5928 | 6686 | 8333 | 8984 |
| KBH 590 P | 590 | 5514 | 6082 | 6860 | 8551 | 9219 |
| KBH 600 P | 600 | 5607 | 6186 | 6977 | 8696 | 9375 |
| KBH 615 P | 615 | 5748 | 6340 | 7151 | 8913 | 9609 |
| KBH 630 P | 630 | 5888 | 6495 | 7326 | 9130 | 9844 |
| KBH 640 P | 640 | 5981 | 6598 | 7442 | 9275 | 10000 |
| KBH 655 P | 655 | 6121 | 6753 | 7616 | 9493 | 10234 |
| KBH 670 P | 670 | 6262 | 6907 | 7791 | 9710 | 10469 |
| KBH 680 P | 680 | 6355 | 7010 | 7907 | 9855 | 10625 |
| KBH 690 P | 690 | 6449 | 7113 | 8023 | 10000 | 10781 |
| KBH 705 P | 705 | 6589 | 7268 | 8198 | 10217 | 11016 |
| KBH 725 P | 725 | 6776 | 7474 | 8430 | 10507 | 11328 |
| KBH 755 P | 755 | 7056 | 7784 | 8779 | 10942 | 11797 |
| KBH 765 P | 765 | 7150 | 7887 | 8895 | 11087 | 11953 |
| KBH 785 P | 785 | 7336 | 8093 | 9128 | 11377 | 12266 |
| KBH 800 P | 800 | 7477 | 8247 | 9302 | 11594 | 12500 |
| KBH 825 P | 825 | 7710 | 8505 | 9593 | 11957 | 12891 |
| KBH 840 P | 840 | 7850 | 8660 | 9767 | 12174 | 13125 |
| KBH 865 P | 865 | 8084 | 8918 | 10058 | 12536 | 13516 |
| KBH 890 P | 890 | 8318 | 9175 | 10349 | 12899 | 13906 |
| KBH 910 P | 910 | 8505 | 9381 | 10581 | 13188 | 14219 |
| KBH 920 P | 920 | 8598 | 9485 | 10698 | 13333 | 14375 |
| KBH 930 P | 930 | 8692 | 9588 | 10814 | 13478 | 14531 |
| KBH 950 P | 950 | 8879 | 9794 | 11047 | 13768 | 14844 |
| KBH 990 P | 990 | 9252 | 10206 | 11512 | 14348 | 15469 |

Performance data of KBH range in Amperes

After long term float charge of fully charged cells at +20°C ±5°C (+68°F ± 9°F)

Final Cell Voltage: 1.14 V

| Cell Type | C ₅ Ah | Hours | | | | | | | Minutes | | | | | Seconds | | | |
|-----------|-------------------|-------|------|------|------|------|------|------|---------|------|------|------|------|---------|------|------|------|
| | | 10 | 8 | 5 | 3 | 2 | 1.5 | 1 | 30 | 20 | 15 | 10 | 5 | 60 | 30 | 5 | 1 |
| KBH 9 P | 9 | 0.85 | 1.07 | 1.67 | 2.72 | 3.99 | 5.16 | 6.98 | 9.7 | 11.2 | 12.7 | 14.6 | 18.0 | 24.8 | 28.8 | 35.9 | 41.9 |
| KBH 13 P | 13 | 1.23 | 1.55 | 2.41 | 3.93 | 5.76 | 7.45 | 10.1 | 14.0 | 16.1 | 18.3 | 21.1 | 25.9 | 35.8 | 41.6 | 51.9 | 60.5 |
| KBH 17 P | 17 | 1.60 | 2.02 | 3.15 | 5.14 | 7.53 | 9.74 | 13.2 | 18.3 | 21.1 | 23.9 | 27.5 | 33.9 | 46.9 | 54.4 | 67.9 | 79.1 |
| KBH 21 P | 21 | 1.98 | 2.50 | 3.89 | 6.35 | 9.31 | 12.0 | 16.3 | 22.6 | 26.1 | 29.6 | 34.0 | 41.9 | 57.9 | 67.2 | 83.8 | 97.7 |
| KBH 30 P | 30 | 2.83 | 3.57 | 5.56 | 9.07 | 13.3 | 17.2 | 23.3 | 32.2 | 37.2 | 42.2 | 48.6 | 59.9 | 82.7 | 96.0 | 120 | 140 |
| KBH 34 P | 34 | 3.20 | 4.05 | 6.31 | 10.3 | 15.1 | 19.5 | 26.4 | 36.5 | 42.2 | 47.9 | 55.1 | 67.8 | 93.7 | 109 | 136 | 158 |
| KBH 40 P | 40 | 3.77 | 4.76 | 7.56 | 12.2 | 17.7 | 22.9 | 30.6 | 41.9 | 49.6 | 55.6 | 63.0 | 77.1 | 101 | 116 | 136 | 141 |
| KBH 50 P | 50 | 4.71 | 5.95 | 9.45 | 15.2 | 22.1 | 28.6 | 38.2 | 52.4 | 62.0 | 69.5 | 78.7 | 96.3 | 126 | 145 | 170 | 176 |
| KBH 54 P | 54 | 5.09 | 6.43 | 10.2 | 16.5 | 24.0 | 31.0 | 41.8 | 58.0 | 67.1 | 75.1 | 85.1 | 104 | 149 | 173 | 216 | 227 |
| KBH 59 P | 59 | 5.56 | 7.02 | 11.2 | 18.0 | 26.2 | 33.8 | 45.6 | 63.3 | 73.3 | 82.0 | 92.9 | 114 | 163 | 189 | 236 | 248 |
| KBH 64 P | 64 | 6.03 | 7.62 | 12.1 | 19.5 | 28.4 | 36.7 | 49.5 | 68.7 | 79.5 | 89.0 | 101 | 123 | 177 | 205 | 256 | 269 |
| KBH 69 P | 69 | 6.50 | 8.21 | 13.0 | 21.0 | 30.6 | 39.6 | 53.4 | 74.1 | 85.7 | 95.9 | 109 | 133 | 191 | 221 | 276 | 290 |
| KBH 79 P | 79 | 7.45 | 9.40 | 14.9 | 24.1 | 35.0 | 45.3 | 61.1 | 84.8 | 98.2 | 110 | 124 | 152 | 218 | 253 | 316 | 332 |
| KBH 88 P | 88 | 8.29 | 10.5 | 16.6 | 26.8 | 39.0 | 50.5 | 68.1 | 94.5 | 109 | 122 | 139 | 170 | 243 | 282 | 352 | 370 |
| KBH 98 P | 98 | 9.24 | 11.7 | 18.5 | 29.9 | 43.5 | 56.2 | 75.8 | 105 | 122 | 136 | 154 | 189 | 271 | 314 | 392 | 412 |
| KBH 103 P | 103 | 9.71 | 12.3 | 19.5 | 31.4 | 45.7 | 59.1 | 79.7 | 111 | 128 | 143 | 162 | 198 | 285 | 330 | 412 | 433 |
| KBH 110 P | 110 | 10.4 | 13.1 | 20.8 | 33.6 | 48.8 | 63.1 | 85.1 | 118 | 137 | 153 | 173 | 212 | 304 | 352 | 440 | 462 |
| KBH 118 P | 118 | 11.1 | 14.0 | 22.3 | 36.0 | 52.3 | 67.7 | 91.3 | 127 | 147 | 164 | 186 | 227 | 326 | 378 | 472 | 496 |
| KBH 127 P | 127 | 12.0 | 15.1 | 24.0 | 38.7 | 56.3 | 72.8 | 98 | 136 | 158 | 177 | 200 | 245 | 351 | 407 | 508 | 534 |
| KBH 137 P | 137 | 12.9 | 16.3 | 25.9 | 41.8 | 60.8 | 78.5 | 106 | 147 | 170 | 191 | 216 | 264 | 379 | 439 | 548 | 576 |
| KBH 147 P | 147 | 13.9 | 17.5 | 27.8 | 44.8 | 65.2 | 84.3 | 114 | 158 | 183 | 204 | 232 | 283 | 406 | 471 | 588 | 618 |
| KBH 157 P | 157 | 14.8 | 18.7 | 29.7 | 47.9 | 69.6 | 90.0 | 121 | 169 | 195 | 218 | 247 | 303 | 434 | 503 | 628 | 660 |
| KBH 170 P | 170 | 16.0 | 20.2 | 32.1 | 51.9 | 75.4 | 97.5 | 132 | 182 | 211 | 236 | 268 | 328 | 470 | 545 | 680 | 715 |
| KBH 177 P | 177 | 16.7 | 21.1 | 33.5 | 54.0 | 78.5 | 101 | 137 | 190 | 220 | 246 | 279 | 341 | 489 | 567 | 708 | 744 |
| KBH 185 P | 185 | 17.4 | 22.0 | 35.0 | 56.4 | 82.1 | 106 | 143 | 199 | 230 | 257 | 291 | 356 | 512 | 593 | 740 | 778 |
| KBH 196 P | 196 | 18.5 | 23.3 | 37.0 | 59.8 | 86.9 | 112 | 152 | 210 | 244 | 273 | 309 | 378 | 542 | 628 | 784 | 824 |
| KBH 206 P | 206 | 19.4 | 24.5 | 38.9 | 62.8 | 91.4 | 118 | 159 | 221 | 256 | 286 | 324 | 397 | 570 | 660 | 824 | 866 |
| KBH 218 P | 218 | 20.5 | 25.9 | 41.2 | 66.5 | 96.7 | 125 | 169 | 234 | 271 | 303 | 343 | 420 | 603 | 698 | 872 | 916 |
| KBH 236 P | 236 | 22.2 | 28.1 | 44.6 | 72.0 | 105 | 135 | 183 | 253 | 293 | 328 | 372 | 455 | 653 | 756 | 944 | 992 |
| KBH 245 P | 245 | 23.1 | 29.2 | 46.3 | 74.7 | 109 | 140 | 190 | 263 | 304 | 341 | 386 | 472 | 677 | 785 | 980 | 1030 |
| KBH 255 P | 255 | 24.0 | 30.3 | 48.2 | 77.8 | 113 | 146 | 195 | 267 | 316 | 355 | 402 | 491 | 644 | 739 | 869 | 900 |
| KBH 265 P | 265 | 25.0 | 31.5 | 50.1 | 80.8 | 117 | 152 | 203 | 278 | 328 | 369 | 417 | 510 | 670 | 768 | 904 | 935 |
| KBH 275 P | 275 | 25.9 | 32.7 | 52.0 | 83.8 | 122 | 157 | 210 | 288 | 341 | 382 | 433 | 530 | 695 | 797 | 938 | 971 |
| KBH 290 P | 290 | 27.3 | 34.5 | 54.8 | 88.4 | 128 | 166 | 222 | 304 | 359 | 403 | 457 | 559 | 733 | 840 | 989 | 1024 |
| KBH 300 P | 300 | 28.3 | 35.7 | 56.7 | 91.5 | 133 | 172 | 229 | 315 | 372 | 417 | 472 | 578 | 758 | 869 | 1023 | 1059 |
| KBH 315 P | 315 | 29.7 | 37.5 | 59.5 | 96.0 | 139 | 180 | 241 | 330 | 390 | 438 | 496 | 607 | 796 | 913 | 1074 | 1112 |
| KBH 330 P | 330 | 31.1 | 39.3 | 62.4 | 101 | 146 | 189 | 252 | 346 | 409 | 459 | 520 | 636 | 834 | 956 | 1125 | 1165 |
| KBH 353 P | 353 | 33.3 | 42.0 | 66.7 | 108 | 157 | 202 | 273 | 379 | 439 | 491 | 556 | 680 | 976 | 1131 | 1412 | 1484 |
| KBH 362 P | 362 | 34.1 | 43.1 | 68.4 | 110 | 161 | 208 | 280 | 389 | 450 | 503 | 570 | 698 | 1001 | 1160 | 1448 | 1522 |

Performance data of KBH range in Amperes

After long term float charge of fully charged cells at +20°C ±5°C (+68°F ± 9°F)

Final Cell Voltage: 1.14 V

| Cell Type | C ₅ Ah | Hours | | | | | | | Minutes | | | | | Seconds | | | |
|-----------|-------------------|-------|------|------|-----|-----|-----|-----|---------|------|------|------|------|---------|------|------|------|
| | | 10 | 8 | 5 | 3 | 2 | 1.5 | 1 | 30 | 20 | 15 | 10 | 5 | 60 | 30 | 5 | 1 |
| KBH 375 P | 375 | 35.3 | 44.6 | 70.9 | 114 | 166 | 215 | 287 | 393 | 465 | 522 | 590 | 722 | 948 | 1087 | 1279 | 1324 |
| KBH 393 P | 393 | 37.0 | 46.8 | 74.3 | 120 | 174 | 225 | 300 | 412 | 487 | 547 | 619 | 757 | 993 | 1139 | 1340 | 1387 |
| KBH 410 P | 410 | 38.6 | 48.8 | 77.5 | 125 | 181 | 235 | 313 | 430 | 508 | 570 | 646 | 790 | 1036 | 1188 | 1398 | 1447 |
| KBH 420 P | 420 | 39.6 | 50.0 | 79.4 | 128 | 186 | 240 | 321 | 440 | 521 | 584 | 661 | 809 | 1061 | 1217 | 1432 | 1482 |
| KBH 430 P | 430 | 40.5 | 51.2 | 81.3 | 131 | 190 | 246 | 329 | 451 | 533 | 598 | 677 | 828 | 1087 | 1246 | 1466 | 1518 |
| KBH 450 P | 450 | 42.4 | 53.5 | 85.1 | 137 | 199 | 257 | 344 | 472 | 558 | 626 | 709 | 867 | 1137 | 1304 | 1534 | 1588 |
| KBH 471 P | 471 | 44.4 | 56.0 | 89.0 | 144 | 208 | 269 | 360 | 494 | 584 | 655 | 742 | 907 | 1190 | 1365 | 1606 | 1663 |
| KBH 481 P | 481 | 45.3 | 57.2 | 90.9 | 147 | 213 | 275 | 368 | 504 | 596 | 669 | 757 | 927 | 1216 | 1394 | 1640 | 1698 |
| KBH 491 P | 491 | 46.3 | 58.4 | 92.8 | 150 | 217 | 281 | 375 | 515 | 608 | 683 | 773 | 946 | 1241 | 1423 | 1674 | 1733 |
| KBH 510 P | 510 | 48.1 | 60.7 | 96.4 | 156 | 225 | 292 | 390 | 535 | 632 | 709 | 803 | 982 | 1289 | 1478 | 1739 | 1800 |
| KBH 530 P | 530 | 50.0 | 63.1 | 100 | 162 | 234 | 303 | 405 | 556 | 657 | 737 | 835 | 1021 | 1339 | 1536 | 1807 | 1871 |
| KBH 540 P | 540 | 50.9 | 64.2 | 102 | 165 | 239 | 309 | 413 | 566 | 669 | 751 | 850 | 1040 | 1365 | 1565 | 1841 | 1906 |
| KBH 560 P | 560 | 52.8 | 66.6 | 106 | 171 | 248 | 320 | 428 | 587 | 694 | 779 | 882 | 1079 | 1415 | 1623 | 1909 | 1977 |
| KBH 575 P | 575 | 54.2 | 68.4 | 109 | 175 | 254 | 329 | 439 | 603 | 713 | 800 | 905 | 1108 | 1453 | 1666 | 1961 | 2030 |
| KBH 590 P | 590 | 55.6 | 70.2 | 112 | 180 | 261 | 337 | 451 | 619 | 731 | 821 | 929 | 1137 | 1491 | 1710 | 2012 | 2083 |
| KBH 600 P | 600 | 56.6 | 71.4 | 113 | 183 | 265 | 343 | 458 | 629 | 744 | 834 | 945 | 1156 | 1516 | 1739 | 2046 | 2118 |
| KBH 615 P | 615 | 58.0 | 73.2 | 116 | 188 | 272 | 352 | 470 | 645 | 762 | 855 | 968 | 1185 | 1554 | 1782 | 2097 | 2171 |
| KBH 630 P | 630 | 59.4 | 75.0 | 119 | 192 | 278 | 360 | 481 | 661 | 781 | 876 | 992 | 1214 | 1592 | 1826 | 2148 | 2224 |
| KBH 640 P | 640 | 60.3 | 76.1 | 121 | 195 | 283 | 366 | 489 | 671 | 793 | 890 | 1008 | 1233 | 1617 | 1855 | 2182 | 2259 |
| KBH 655 P | 655 | 61.7 | 77.9 | 124 | 200 | 290 | 375 | 501 | 687 | 812 | 911 | 1031 | 1262 | 1655 | 1898 | 2233 | 2312 |
| KBH 670 P | 670 | 63.1 | 79.7 | 127 | 204 | 296 | 383 | 512 | 703 | 830 | 932 | 1055 | 1291 | 1693 | 1941 | 2284 | 2365 |
| KBH 680 P | 680 | 64.1 | 80.9 | 129 | 207 | 301 | 389 | 520 | 713 | 843 | 946 | 1071 | 1310 | 1718 | 1970 | 2319 | 2400 |
| KBH 690 P | 690 | 65.0 | 82.1 | 130 | 210 | 305 | 395 | 527 | 724 | 855 | 960 | 1086 | 1329 | 1744 | 1999 | 2353 | 2436 |
| KBH 705 P | 705 | 66.4 | 83.9 | 133 | 215 | 312 | 403 | 539 | 739 | 874 | 980 | 1110 | 1358 | 1782 | 2043 | 2404 | 2488 |
| KBH 725 P | 725 | 68.3 | 86.3 | 137 | 221 | 320 | 415 | 554 | 760 | 898 | 1008 | 1142 | 1397 | 1832 | 2101 | 2472 | 2559 |
| KBH 755 P | 755 | 71.2 | 89.8 | 143 | 230 | 334 | 432 | 577 | 792 | 936 | 1050 | 1189 | 1454 | 1908 | 2188 | 2574 | 2665 |
| KBH 765 P | 765 | 72.1 | 91.0 | 145 | 233 | 338 | 438 | 585 | 802 | 948 | 1064 | 1205 | 1474 | 1933 | 2217 | 2608 | 2700 |
| KBH 785 P | 785 | 74.0 | 93.4 | 148 | 239 | 347 | 449 | 600 | 823 | 973 | 1092 | 1236 | 1512 | 1984 | 2275 | 2677 | 2771 |
| KBH 800 P | 800 | 75.4 | 95.2 | 151 | 244 | 354 | 458 | 611 | 839 | 991 | 1113 | 1260 | 1541 | 2022 | 2318 | 2728 | 2824 |
| KBH 825 P | 825 | 77.8 | 98.2 | 156 | 252 | 365 | 472 | 630 | 865 | 1022 | 1147 | 1299 | 1589 | 2085 | 2391 | 2813 | 2912 |
| KBH 840 P | 840 | 79.2 | 100 | 159 | 256 | 371 | 480 | 642 | 881 | 1041 | 1168 | 1323 | 1618 | 2123 | 2434 | 2864 | 2965 |
| KBH 865 P | 865 | 81.5 | 103 | 164 | 264 | 382 | 495 | 661 | 907 | 1072 | 1203 | 1362 | 1666 | 2186 | 2507 | 2949 | 3053 |
| KBH 890 P | 890 | 83.9 | 106 | 168 | 271 | 393 | 509 | 680 | 933 | 1103 | 1238 | 1401 | 1714 | 2249 | 2579 | 3035 | 3141 |
| KBH 910 P | 910 | 85.8 | 108 | 172 | 277 | 402 | 521 | 695 | 954 | 1128 | 1266 | 1433 | 1753 | 2300 | 2637 | 3103 | 3212 |
| KBH 920 P | 920 | 86.7 | 109 | 174 | 281 | 407 | 526 | 703 | 965 | 1140 | 1279 | 1449 | 1772 | 2325 | 2666 | 3137 | 3247 |
| KBH 930 P | 930 | 87.7 | 111 | 176 | 284 | 411 | 532 | 711 | 975 | 1153 | 1293 | 1464 | 1792 | 2350 | 2695 | 3171 | 3283 |
| KBH 950 P | 950 | 89.5 | 113 | 180 | 290 | 420 | 543 | 726 | 996 | 1177 | 1321 | 1496 | 1830 | 2401 | 2753 | 3239 | 3353 |
| KBH 990 P | 990 | 93.3 | 118 | 187 | 302 | 438 | 566 | 757 | 1038 | 1227 | 1377 | 1559 | 1907 | 2502 | 2869 | 3376 | 3494 |

Performance data of KBH range in Amperes

After long term float charge of fully charged cells at +20°C ±5°C (+68°F ± 9°F)

Final Cell Voltage: 1.10 V

| Cell Type | C ₅ Ah | Hours | | | | | | | Minutes | | | | | Seconds | | | |
|-----------|-------------------|-------|------|------|------|------|------|------|---------|------|------|------|------|---------|------|------|------|
| | | 10 | 8 | 5 | 3 | 2 | 1.5 | 1 | 30 | 20 | 15 | 10 | 5 | 60 | 30 | 5 | 1 |
| KBH 9 P | 9 | 0.88 | 1.11 | 1.73 | 2.83 | 4.17 | 5.45 | 7.83 | 12.1 | 14.1 | 15.8 | 17.9 | 22.2 | 30.9 | 35.8 | 45.0 | 47.4 |
| KBH 13 P | 13 | 1.27 | 1.60 | 2.50 | 4.09 | 6.02 | 7.88 | 11.3 | 17.4 | 20.3 | 22.8 | 25.9 | 32.1 | 44.7 | 51.7 | 65.0 | 68.4 |
| KBH 17 P | 17 | 1.66 | 2.09 | 3.27 | 5.35 | 7.87 | 10.3 | 14.8 | 22.8 | 26.6 | 29.8 | 33.9 | 42.0 | 58.4 | 67.6 | 85.0 | 89.5 |
| KBH 21 P | 21 | 2.05 | 2.58 | 4.03 | 6.61 | 9.72 | 12.7 | 18.3 | 28.2 | 32.8 | 36.8 | 41.9 | 51.8 | 72.2 | 83.5 | 105 | 111 |
| KBH 30 P | 30 | 2.92 | 3.69 | 5.76 | 9.44 | 13.9 | 18.2 | 26.1 | 40.2 | 46.9 | 52.5 | 59.8 | 74.1 | 103 | 119 | 150 | 158 |
| KBH 34 P | 34 | 3.31 | 4.18 | 6.53 | 10.7 | 15.7 | 20.6 | 29.6 | 45.6 | 53.2 | 59.5 | 67.8 | 83.9 | 117 | 135 | 170 | 179 |
| KBH 40 P | 40 | 3.90 | 4.92 | 7.80 | 12.8 | 18.6 | 24.3 | 34.8 | 52.8 | 61.8 | 69.6 | 78.3 | 94.4 | 127 | 144 | 172 | 180 |
| KBH 50 P | 50 | 4.87 | 6.15 | 9.75 | 16.0 | 23.2 | 30.3 | 43.5 | 66.1 | 77.3 | 86.9 | 97.9 | 118 | 159 | 180 | 215 | 225 |
| KBH 54 P | 54 | 5.26 | 6.64 | 10.5 | 17.3 | 25.0 | 32.7 | 47.0 | 72.4 | 86.4 | 97.4 | 110 | 136 | 187 | 216 | 264 | 296 |
| KBH 59 P | 59 | 5.75 | 7.26 | 11.5 | 18.9 | 27.3 | 35.8 | 51.3 | 79.1 | 94.4 | 106 | 121 | 148 | 204 | 236 | 289 | 324 |
| KBH 64 P | 64 | 6.24 | 7.87 | 12.5 | 20.5 | 29.7 | 38.8 | 55.7 | 85.8 | 102 | 115 | 131 | 161 | 221 | 256 | 313 | 351 |
| KBH 69 P | 69 | 6.73 | 8.49 | 13.5 | 22.1 | 32.0 | 41.8 | 60.0 | 92.5 | 110 | 124 | 141 | 174 | 239 | 276 | 338 | 379 |
| KBH 79 P | 79 | 7.70 | 9.72 | 15.4 | 25.3 | 36.6 | 47.9 | 68.7 | 106 | 126 | 142 | 161 | 199 | 273 | 316 | 387 | 434 |
| KBH 88 P | 88 | 8.58 | 10.8 | 17.2 | 28.2 | 40.8 | 53.3 | 76.5 | 118 | 141 | 159 | 180 | 221 | 304 | 352 | 431 | 483 |
| KBH 98 P | 98 | 9.55 | 12.1 | 19.1 | 31.4 | 45.4 | 59.4 | 85.2 | 131 | 157 | 177 | 200 | 247 | 339 | 392 | 480 | 538 |
| KBH 103 P | 103 | 10.0 | 12.7 | 20.1 | 33.0 | 47.7 | 62.4 | 89.6 | 138 | 165 | 186 | 210 | 259 | 356 | 412 | 504 | 565 |
| KBH 110 P | 110 | 10.7 | 13.5 | 21.4 | 35.2 | 51.0 | 66.7 | 95.7 | 147 | 176 | 198 | 225 | 277 | 381 | 440 | 539 | 604 |
| KBH 118 P | 118 | 11.5 | 14.5 | 23.0 | 37.8 | 54.7 | 71.5 | 103 | 158 | 189 | 213 | 241 | 297 | 408 | 472 | 578 | 648 |
| KBH 127 P | 127 | 12.4 | 15.6 | 24.8 | 40.6 | 58.8 | 77.0 | 110 | 170 | 203 | 229 | 259 | 319 | 439 | 508 | 622 | 697 |
| KBH 137 P | 137 | 13.4 | 16.8 | 26.7 | 43.8 | 63.5 | 83.0 | 119 | 184 | 219 | 247 | 280 | 345 | 474 | 548 | 671 | 752 |
| KBH 147 P | 147 | 14.3 | 18.1 | 28.7 | 47.0 | 68.1 | 89.1 | 128 | 197 | 235 | 265 | 300 | 370 | 509 | 588 | 720 | 807 |
| KBH 157 P | 157 | 15.3 | 19.3 | 30.6 | 50.3 | 72.7 | 95.2 | 137 | 210 | 251 | 283 | 321 | 395 | 543 | 628 | 769 | 862 |
| KBH 170 P | 170 | 16.6 | 20.9 | 33.1 | 54.4 | 78.8 | 103 | 148 | 228 | 272 | 307 | 347 | 428 | 588 | 680 | 833 | 933 |
| KBH 177 P | 177 | 17.3 | 21.8 | 34.5 | 56.7 | 82.0 | 107 | 154 | 237 | 283 | 319 | 362 | 445 | 612 | 708 | 867 | 972 |
| KBH 185 P | 185 | 18.0 | 22.8 | 36.1 | 59.2 | 85.7 | 112 | 161 | 248 | 296 | 334 | 378 | 465 | 640 | 740 | 906 | 1016 |
| KBH 196 P | 196 | 19.1 | 24.1 | 38.2 | 62.7 | 90.8 | 119 | 170 | 263 | 314 | 354 | 400 | 493 | 678 | 784 | 960 | 1076 |
| KBH 206 P | 206 | 20.1 | 25.3 | 40.2 | 65.9 | 95.5 | 125 | 179 | 276 | 330 | 372 | 421 | 518 | 713 | 824 | 1009 | 1131 |
| KBH 218 P | 218 | 21.2 | 26.8 | 42.5 | 69.8 | 101 | 132 | 190 | 292 | 349 | 393 | 445 | 548 | 754 | 872 | 1068 | 1197 |
| KBH 236 P | 236 | 23.0 | 29.0 | 46.0 | 75.5 | 109 | 143 | 205 | 316 | 378 | 426 | 482 | 594 | 816 | 944 | 1156 | 1296 |
| KBH 245 P | 245 | 23.9 | 30.1 | 47.8 | 78.4 | 114 | 148 | 213 | 328 | 392 | 442 | 501 | 616 | 848 | 980 | 1200 | 1345 |
| KBH 255 P | 255 | 24.9 | 31.3 | 49.7 | 81.6 | 118 | 155 | 222 | 337 | 394 | 443 | 499 | 602 | 808 | 919 | 1095 | 1150 |
| KBH 265 P | 265 | 25.8 | 32.6 | 51.7 | 84.8 | 123 | 161 | 230 | 350 | 410 | 461 | 519 | 626 | 840 | 956 | 1137 | 1195 |
| KBH 275 P | 275 | 26.8 | 33.8 | 53.6 | 88.0 | 128 | 167 | 239 | 363 | 425 | 478 | 538 | 649 | 872 | 992 | 1180 | 1240 |
| KBH 290 P | 290 | 28.3 | 35.6 | 56.6 | 92.8 | 135 | 176 | 252 | 383 | 448 | 504 | 568 | 685 | 919 | 1046 | 1245 | 1308 |
| KBH 300 P | 300 | 29.2 | 36.9 | 58.5 | 96.0 | 139 | 182 | 261 | 396 | 464 | 522 | 587 | 708 | 951 | 1082 | 1288 | 1353 |
| KBH 315 P | 315 | 30.7 | 38.7 | 61.4 | 101 | 146 | 191 | 274 | 416 | 487 | 548 | 617 | 744 | 999 | 1136 | 1352 | 1421 |
| KBH 330 P | 330 | 32.2 | 40.6 | 64.4 | 106 | 153 | 200 | 287 | 436 | 510 | 574 | 646 | 779 | 1046 | 1190 | 1416 | 1488 |
| KBH 353 P | 353 | 34.4 | 43.4 | 68.8 | 113 | 164 | 214 | 307 | 473 | 565 | 637 | 721 | 888 | 1221 | 1412 | 1729 | 1938 |
| KBH 362 P | 362 | 35.3 | 44.5 | 70.6 | 116 | 168 | 219 | 315 | 485 | 579 | 653 | 740 | 911 | 1252 | 1448 | 1773 | 1987 |

Performance data of KBH range in Amperes

After long term float charge of fully charged cells at +20°C ±5°C (+68°F ± 9°F)

Final Cell Voltage: 1.10 V

| Cell Type | C ₅ Ah | Hours | | | | | | | Minutes | | | | | Seconds | | | |
|-----------|-------------------|-------|------|------|-----|-----|-----|-----|---------|------|------|------|------|---------|------|------|------|
| | | 10 | 8 | 5 | 3 | 2 | 1.5 | 1 | 30 | 20 | 15 | 10 | 5 | 60 | 30 | 5 | 1 |
| KBH 375 P | 375 | 36.5 | 46.1 | 73.1 | 120 | 174 | 228 | 326 | 495 | 580 | 652 | 734 | 885 | 1189 | 1352 | 1610 | 1691 |
| KBH 393 P | 393 | 38.3 | 48.3 | 76.6 | 126 | 182 | 238 | 342 | 519 | 607 | 683 | 770 | 928 | 1246 | 1417 | 1687 | 1772 |
| KBH 410 P | 410 | 40.0 | 50.4 | 80.0 | 131 | 190 | 249 | 357 | 542 | 634 | 713 | 803 | 968 | 1300 | 1478 | 1760 | 1849 |
| KBH 420 P | 420 | 40.9 | 51.6 | 81.9 | 134 | 195 | 255 | 365 | 555 | 649 | 730 | 822 | 991 | 1332 | 1514 | 1803 | 1894 |
| KBH 430 P | 430 | 41.9 | 52.9 | 83.9 | 138 | 200 | 261 | 374 | 568 | 665 | 748 | 842 | 1015 | 1363 | 1551 | 1846 | 1939 |
| KBH 450 P | 450 | 43.9 | 55.3 | 87.8 | 144 | 209 | 273 | 391 | 594 | 695 | 782 | 881 | 1062 | 1427 | 1623 | 1931 | 2029 |
| KBH 471 P | 471 | 45.9 | 57.9 | 91.9 | 151 | 219 | 286 | 410 | 622 | 728 | 819 | 922 | 1112 | 1493 | 1698 | 2022 | 2124 |
| KBH 481 P | 481 | 46.9 | 59.1 | 93.8 | 154 | 223 | 292 | 418 | 635 | 743 | 836 | 942 | 1135 | 1525 | 1734 | 2065 | 2169 |
| KBH 491 P | 491 | 47.9 | 60.3 | 95.8 | 157 | 228 | 298 | 427 | 649 | 759 | 854 | 961 | 1159 | 1557 | 1770 | 2107 | 2214 |
| KBH 510 P | 510 | 49.7 | 62.7 | 99.5 | 163 | 237 | 309 | 443 | 674 | 788 | 887 | 999 | 1204 | 1617 | 1839 | 2189 | 2300 |
| KBH 530 P | 530 | 51.7 | 65.1 | 103 | 170 | 246 | 322 | 461 | 700 | 819 | 922 | 1038 | 1251 | 1680 | 1911 | 2275 | 2390 |
| KBH 540 P | 540 | 52.6 | 66.4 | 105 | 173 | 251 | 328 | 470 | 713 | 835 | 939 | 1057 | 1275 | 1712 | 1947 | 2318 | 2435 |
| KBH 560 P | 560 | 54.6 | 68.8 | 109 | 179 | 260 | 340 | 487 | 740 | 865 | 974 | 1097 | 1322 | 1775 | 2019 | 2404 | 2526 |
| KBH 575 P | 575 | 56.0 | 70.7 | 112 | 184 | 267 | 349 | 500 | 760 | 889 | 1000 | 1126 | 1357 | 1823 | 2073 | 2468 | 2593 |
| KBH 590 P | 590 | 57.5 | 72.5 | 115 | 189 | 274 | 358 | 513 | 779 | 912 | 1026 | 1155 | 1393 | 1870 | 2127 | 2532 | 2661 |
| KBH 600 P | 600 | 58.5 | 73.7 | 117 | 192 | 278 | 364 | 522 | 793 | 927 | 1043 | 1175 | 1416 | 1902 | 2164 | 2575 | 2706 |
| KBH 615 P | 615 | 59.9 | 75.6 | 120 | 197 | 285 | 373 | 535 | 812 | 950 | 1069 | 1204 | 1452 | 1950 | 2218 | 2640 | 2774 |
| KBH 630 P | 630 | 61.4 | 77.4 | 123 | 202 | 292 | 382 | 548 | 832 | 974 | 1095 | 1234 | 1487 | 1997 | 2272 | 2704 | 2841 |
| KBH 640 P | 640 | 62.4 | 78.7 | 125 | 205 | 297 | 388 | 557 | 845 | 989 | 1113 | 1253 | 1511 | 2029 | 2308 | 2747 | 2886 |
| KBH 655 P | 655 | 63.8 | 80.5 | 128 | 210 | 304 | 397 | 570 | 865 | 1012 | 1139 | 1283 | 1546 | 2077 | 2362 | 2811 | 2954 |
| KBH 670 P | 670 | 65.3 | 82.3 | 131 | 214 | 311 | 407 | 583 | 885 | 1035 | 1165 | 1312 | 1582 | 2124 | 2416 | 2876 | 3022 |
| KBH 680 P | 680 | 66.3 | 83.6 | 133 | 218 | 316 | 413 | 591 | 898 | 1051 | 1182 | 1332 | 1605 | 2156 | 2452 | 2919 | 3067 |
| KBH 690 P | 690 | 67.3 | 84.8 | 135 | 221 | 320 | 419 | 600 | 912 | 1066 | 1200 | 1351 | 1629 | 2187 | 2488 | 2962 | 3112 |
| KBH 705 P | 705 | 68.7 | 86.7 | 137 | 226 | 327 | 428 | 613 | 931 | 1090 | 1226 | 1381 | 1664 | 2235 | 2542 | 3026 | 3180 |
| KBH 725 P | 725 | 70.7 | 89.1 | 141 | 232 | 336 | 440 | 630 | 958 | 1120 | 1261 | 1420 | 1711 | 2298 | 2614 | 3112 | 3270 |
| KBH 755 P | 755 | 73.6 | 92.8 | 147 | 242 | 350 | 458 | 657 | 997 | 1167 | 1313 | 1478 | 1782 | 2394 | 2722 | 3241 | 3405 |
| KBH 765 P | 765 | 74.6 | 94.0 | 149 | 245 | 355 | 464 | 665 | 1011 | 1182 | 1330 | 1498 | 1806 | 2425 | 2758 | 3284 | 3450 |
| KBH 785 P | 785 | 76.5 | 96.5 | 153 | 251 | 364 | 476 | 683 | 1037 | 1213 | 1365 | 1537 | 1853 | 2489 | 2831 | 3369 | 3540 |
| KBH 800 P | 800 | 78.0 | 98.3 | 156 | 256 | 371 | 485 | 696 | 1057 | 1236 | 1391 | 1567 | 1888 | 2536 | 2885 | 3434 | 3608 |
| KBH 825 P | 825 | 80.4 | 101 | 161 | 264 | 383 | 501 | 717 | 1090 | 1275 | 1435 | 1615 | 1947 | 2615 | 2975 | 3541 | 3721 |
| KBH 840 P | 840 | 81.9 | 103 | 164 | 269 | 390 | 510 | 730 | 1110 | 1298 | 1461 | 1645 | 1983 | 2663 | 3029 | 3605 | 3788 |
| KBH 865 P | 865 | 84.3 | 106 | 169 | 277 | 401 | 525 | 752 | 1143 | 1337 | 1504 | 1694 | 2042 | 2742 | 3119 | 3713 | 3901 |
| KBH 890 P | 890 | 86.7 | 109 | 174 | 285 | 413 | 540 | 774 | 1176 | 1375 | 1548 | 1743 | 2101 | 2822 | 3209 | 3820 | 4014 |
| KBH 910 P | 910 | 88.7 | 112 | 177 | 291 | 422 | 552 | 791 | 1202 | 1406 | 1582 | 1782 | 2148 | 2885 | 3281 | 3906 | 4104 |
| KBH 920 P | 920 | 89.7 | 113 | 179 | 294 | 427 | 558 | 800 | 1215 | 1422 | 1600 | 1802 | 2172 | 2917 | 3317 | 3949 | 4149 |
| KBH 930 P | 930 | 90.6 | 114 | 181 | 298 | 432 | 564 | 809 | 1229 | 1437 | 1617 | 1821 | 2195 | 2948 | 3353 | 3992 | 4194 |
| KBH 950 P | 950 | 92.6 | 117 | 185 | 304 | 441 | 576 | 826 | 1255 | 1468 | 1652 | 1860 | 2242 | 3012 | 3426 | 4078 | 4284 |
| KBH 990 P | 990 | 96.5 | 122 | 193 | 317 | 459 | 601 | 861 | 1308 | 1530 | 1721 | 1939 | 2337 | 3139 | 3570 | 4249 | 4465 |

Performance data of KBH range in Amperes

After long term float charge of fully charged cells at +20°C ±5°C (+68°F ± 9°F)

Final Cell Voltage: 1.05 V

| Cell Type | C ₅ Ah | Hours | | | | | | | Minutes | | | | | Seconds | | | |
|-----------|-------------------|-------|------|------|------|------|------|------|---------|------|------|------|------|---------|------|------|------|
| | | 10 | 8 | 5 | 3 | 2 | 1.5 | 1 | 30 | 20 | 15 | 10 | 5 | 60 | 30 | 5 | 1 |
| KBH 9 P | 9 | 0.90 | 1.12 | 1.77 | 2.92 | 4.32 | 5.67 | 8.21 | 14.6 | 18.2 | 20.2 | 23.9 | 28.5 | 39.3 | 45.2 | 55.2 | 59.6 |
| KBH 13 P | 13 | 1.30 | 1.62 | 2.56 | 4.22 | 6.24 | 8.19 | 11.9 | 21.1 | 26.3 | 29.1 | 34.5 | 41.1 | 56.7 | 65.3 | 79.8 | 86.1 |
| KBH 17 P | 17 | 1.70 | 2.12 | 3.35 | 5.51 | 8.15 | 10.7 | 15.5 | 27.6 | 34.4 | 38.1 | 45.1 | 53.7 | 74.1 | 85.4 | 104 | 113 |
| KBH 21 P | 21 | 2.10 | 2.62 | 4.14 | 6.81 | 10.1 | 13.2 | 19.2 | 34.1 | 42.5 | 47.0 | 55.7 | 66.4 | 91.6 | 106 | 129 | 139 |
| KBH 30 P | 30 | 3.00 | 3.74 | 5.91 | 9.73 | 14.4 | 18.9 | 27.4 | 48.7 | 60.7 | 67.2 | 79.5 | 94.8 | 131 | 151 | 184 | 199 |
| KBH 34 P | 34 | 3.40 | 4.23 | 6.70 | 11.0 | 16.3 | 21.4 | 31.0 | 55.2 | 68.7 | 76.2 | 90.1 | 107 | 148 | 171 | 209 | 225 |
| KBH 40 P | 40 | 4.00 | 4.98 | 7.89 | 13.0 | 19.2 | 25.2 | 36.5 | 64.9 | 79.1 | 89.7 | 105 | 123 | 159 | 180 | 217 | 226 |
| KBH 50 P | 50 | 5.00 | 6.23 | 9.86 | 16.2 | 24.0 | 31.5 | 45.6 | 81.2 | 98.8 | 112 | 132 | 153 | 199 | 224 | 271 | 282 |
| KBH 54 P | 54 | 5.39 | 6.72 | 10.6 | 17.5 | 25.9 | 34.0 | 49.1 | 88.3 | 114 | 125 | 148 | 175 | 237 | 270 | 333 | 358 |
| KBH 59 P | 59 | 5.89 | 7.34 | 11.6 | 19.2 | 28.3 | 37.1 | 53.7 | 96.5 | 125 | 136 | 161 | 191 | 259 | 295 | 364 | 391 |
| KBH 64 P | 64 | 6.39 | 7.97 | 12.6 | 20.8 | 30.7 | 40.3 | 58.2 | 105 | 135 | 148 | 175 | 207 | 281 | 320 | 395 | 424 |
| KBH 69 P | 69 | 6.89 | 8.59 | 13.6 | 22.4 | 33.1 | 43.4 | 62.8 | 113 | 146 | 159 | 189 | 224 | 303 | 345 | 426 | 457 |
| KBH 79 P | 79 | 7.89 | 9.83 | 15.6 | 25.6 | 37.9 | 49.7 | 71.9 | 129 | 167 | 182 | 216 | 256 | 347 | 395 | 488 | 523 |
| KBH 88 P | 88 | 8.79 | 11.0 | 17.3 | 28.6 | 42.2 | 55.4 | 80.1 | 144 | 186 | 203 | 241 | 285 | 386 | 440 | 543 | 583 |
| KBH 98 P | 98 | 9.79 | 12.2 | 19.3 | 31.8 | 47.0 | 61.6 | 89.2 | 160 | 207 | 226 | 268 | 318 | 430 | 490 | 605 | 649 |
| KBH 103 P | 103 | 10.3 | 12.8 | 20.3 | 33.4 | 49.4 | 64.8 | 93.7 | 168 | 218 | 238 | 282 | 334 | 452 | 515 | 636 | 682 |
| KBH 110 P | 110 | 11.0 | 13.7 | 21.7 | 35.7 | 52.8 | 69.2 | 100 | 180 | 233 | 254 | 301 | 357 | 483 | 550 | 679 | 728 |
| KBH 118 P | 118 | 11.8 | 14.7 | 23.2 | 38.3 | 56.6 | 74.2 | 107 | 193 | 249 | 272 | 323 | 383 | 518 | 590 | 728 | 781 |
| KBH 127 P | 127 | 12.7 | 15.8 | 25.0 | 41.2 | 61.0 | 79.9 | 116 | 208 | 269 | 293 | 348 | 412 | 557 | 635 | 784 | 841 |
| KBH 137 P | 137 | 13.7 | 17.1 | 27.0 | 44.5 | 65.8 | 86.2 | 125 | 224 | 290 | 316 | 375 | 444 | 601 | 685 | 846 | 907 |
| KBH 147 P | 147 | 14.7 | 18.3 | 29.0 | 47.7 | 70.6 | 92.5 | 134 | 240 | 311 | 339 | 402 | 477 | 645 | 735 | 907 | 974 |
| KBH 157 P | 157 | 15.7 | 19.5 | 30.9 | 51.0 | 75.4 | 98.8 | 143 | 257 | 332 | 362 | 430 | 509 | 689 | 785 | 969 | 1040 |
| KBH 170 P | 170 | 17.0 | 21.2 | 33.5 | 55.2 | 81.6 | 107 | 155 | 278 | 359 | 392 | 465 | 551 | 746 | 850 | 1049 | 1126 |
| KBH 177 P | 177 | 17.7 | 22.0 | 34.9 | 57.5 | 85.0 | 111 | 161 | 289 | 374 | 408 | 484 | 574 | 776 | 885 | 1093 | 1172 |
| KBH 185 P | 185 | 18.5 | 23.0 | 36.4 | 60.1 | 88.8 | 116 | 168 | 302 | 391 | 427 | 506 | 600 | 812 | 925 | 1142 | 1225 |
| KBH 196 P | 196 | 19.6 | 24.4 | 38.6 | 63.6 | 94.1 | 123 | 178 | 320 | 414 | 452 | 536 | 635 | 860 | 980 | 1210 | 1298 |
| KBH 206 P | 206 | 20.6 | 25.6 | 40.6 | 66.9 | 98.9 | 130 | 187 | 337 | 436 | 475 | 564 | 668 | 904 | 1030 | 1272 | 1364 |
| KBH 218 P | 218 | 21.8 | 27.1 | 42.9 | 70.8 | 105 | 137 | 198 | 356 | 461 | 503 | 597 | 707 | 956 | 1090 | 1346 | 1444 |
| KBH 236 P | 236 | 23.6 | 29.4 | 46.5 | 76.6 | 113 | 148 | 215 | 386 | 499 | 545 | 646 | 765 | 1035 | 1180 | 1457 | 1563 |
| KBH 245 P | 245 | 24.5 | 30.5 | 48.3 | 79.5 | 118 | 154 | 223 | 401 | 518 | 565 | 670 | 794 | 1075 | 1225 | 1512 | 1623 |
| KBH 255 P | 255 | 25.5 | 31.8 | 50.3 | 82.8 | 122 | 161 | 233 | 414 | 504 | 572 | 672 | 782 | 1014 | 1144 | 1381 | 1439 |
| KBH 265 P | 265 | 26.5 | 33.0 | 52.3 | 86.1 | 127 | 167 | 242 | 430 | 524 | 594 | 699 | 813 | 1054 | 1189 | 1435 | 1495 |
| KBH 275 P | 275 | 27.5 | 34.3 | 54.2 | 89.3 | 132 | 173 | 251 | 446 | 544 | 616 | 725 | 844 | 1093 | 1234 | 1489 | 1552 |
| KBH 290 P | 290 | 29.0 | 36.1 | 57.2 | 94.2 | 139 | 183 | 264 | 471 | 573 | 650 | 764 | 890 | 1153 | 1302 | 1570 | 1636 |
| KBH 300 P | 300 | 30.0 | 37.4 | 59.2 | 97.4 | 144 | 189 | 274 | 487 | 593 | 672 | 791 | 920 | 1193 | 1346 | 1624 | 1693 |
| KBH 315 P | 315 | 31.5 | 39.2 | 62.1 | 102 | 151 | 198 | 287 | 511 | 623 | 706 | 830 | 966 | 1252 | 1414 | 1705 | 1778 |
| KBH 330 P | 330 | 33.0 | 41.1 | 65.1 | 107 | 159 | 208 | 301 | 536 | 652 | 740 | 870 | 1012 | 1312 | 1481 | 1787 | 1862 |
| KBH 353 P | 353 | 35.3 | 43.9 | 69.5 | 115 | 169 | 222 | 321 | 577 | 746 | 815 | 966 | 1144 | 1549 | 1765 | 2179 | 2338 |
| KBH 362 P | 362 | 36.2 | 45.1 | 71.3 | 118 | 174 | 228 | 329 | 592 | 765 | 835 | 991 | 1174 | 1588 | 1810 | 2235 | 2397 |

Performance data of KBH range in Amperes

After long term float charge of fully charged cells at +20°C ±5°C (+68°F ± 9°F)

Final Cell Voltage: 1.05 V

| Cell Type | C ₅ Ah | Hours | | | | | | | Minutes | | | | | Seconds | | | |
|-----------|-------------------|-------|------|------|-----|-----|-----|-----|---------|------|------|------|------|---------|------|------|------|
| | | 10 | 8 | 5 | 3 | 2 | 1.5 | 1 | 30 | 20 | 15 | 10 | 5 | 60 | 30 | 5 | 1 |
| KBH 375 P | 375 | 37.5 | 46.7 | 73.9 | 122 | 180 | 236 | 342 | 609 | 741 | 841 | 989 | 1150 | 1491 | 1683 | 2030 | 2116 |
| KBH 393 P | 393 | 39.3 | 49.0 | 77.5 | 128 | 189 | 247 | 358 | 638 | 777 | 881 | 1036 | 1206 | 1563 | 1764 | 2128 | 2218 |
| KBH 410 P | 410 | 41.0 | 51.1 | 80.9 | 133 | 197 | 258 | 374 | 665 | 810 | 919 | 1081 | 1258 | 1630 | 1840 | 2220 | 2314 |
| KBH 420 P | 420 | 42.0 | 52.3 | 82.8 | 136 | 202 | 264 | 383 | 682 | 830 | 941 | 1107 | 1288 | 1670 | 1885 | 2274 | 2370 |
| KBH 430 P | 430 | 43.0 | 53.6 | 84.8 | 140 | 207 | 271 | 392 | 698 | 850 | 964 | 1134 | 1319 | 1710 | 1930 | 2328 | 2426 |
| KBH 450 P | 450 | 45.0 | 56.1 | 88.7 | 146 | 216 | 283 | 410 | 730 | 889 | 1009 | 1186 | 1380 | 1789 | 2020 | 2436 | 2539 |
| KBH 471 P | 471 | 47.1 | 58.7 | 92.9 | 153 | 226 | 297 | 429 | 764 | 931 | 1056 | 1242 | 1445 | 1873 | 2114 | 2550 | 2658 |
| KBH 481 P | 481 | 48.1 | 59.9 | 94.9 | 156 | 231 | 303 | 439 | 781 | 951 | 1078 | 1268 | 1476 | 1913 | 2159 | 2604 | 2714 |
| KBH 491 P | 491 | 49.1 | 61.2 | 96.8 | 159 | 236 | 309 | 448 | 797 | 970 | 1101 | 1294 | 1506 | 1952 | 2204 | 2658 | 2771 |
| KBH 510 P | 510 | 50.9 | 63.5 | 101 | 166 | 245 | 321 | 465 | 828 | 1008 | 1143 | 1344 | 1565 | 2028 | 2289 | 2761 | 2878 |
| KBH 530 P | 530 | 52.9 | 66.0 | 105 | 172 | 255 | 334 | 483 | 860 | 1048 | 1188 | 1397 | 1626 | 2107 | 2379 | 2869 | 2991 |
| KBH 540 P | 540 | 53.9 | 67.3 | 106 | 175 | 259 | 340 | 492 | 876 | 1067 | 1210 | 1423 | 1657 | 2147 | 2424 | 2924 | 3047 |
| KBH 560 P | 560 | 55.9 | 69.8 | 110 | 182 | 269 | 353 | 511 | 909 | 1107 | 1255 | 1476 | 1718 | 2227 | 2513 | 3032 | 3160 |
| KBH 575 P | 575 | 57.4 | 71.6 | 113 | 187 | 276 | 362 | 524 | 933 | 1137 | 1289 | 1516 | 1764 | 2286 | 2581 | 3113 | 3245 |
| KBH 590 P | 590 | 58.9 | 73.5 | 116 | 192 | 283 | 371 | 538 | 958 | 1166 | 1323 | 1555 | 1810 | 2346 | 2648 | 3194 | 3329 |
| KBH 600 P | 600 | 59.9 | 74.7 | 118 | 195 | 288 | 378 | 547 | 974 | 1186 | 1345 | 1582 | 1841 | 2386 | 2693 | 3248 | 3386 |
| KBH 615 P | 615 | 61.4 | 76.6 | 121 | 200 | 295 | 387 | 561 | 998 | 1216 | 1379 | 1621 | 1887 | 2445 | 2760 | 3330 | 3470 |
| KBH 630 P | 630 | 62.9 | 78.5 | 124 | 205 | 303 | 397 | 574 | 1022 | 1245 | 1412 | 1661 | 1933 | 2505 | 2827 | 3411 | 3555 |
| KBH 640 P | 640 | 63.9 | 79.7 | 126 | 208 | 307 | 403 | 584 | 1039 | 1265 | 1435 | 1687 | 1963 | 2545 | 2872 | 3465 | 3611 |
| KBH 655 P | 655 | 65.4 | 81.6 | 129 | 213 | 315 | 412 | 597 | 1063 | 1295 | 1468 | 1727 | 2009 | 2604 | 2940 | 3546 | 3696 |
| KBH 670 P | 670 | 66.9 | 83.5 | 132 | 218 | 322 | 422 | 611 | 1087 | 1324 | 1502 | 1766 | 2055 | 2664 | 3007 | 3627 | 3781 |
| KBH 680 P | 680 | 67.9 | 84.7 | 134 | 221 | 327 | 428 | 620 | 1104 | 1344 | 1524 | 1793 | 2086 | 2704 | 3052 | 3681 | 3837 |
| KBH 690 P | 690 | 68.9 | 86.0 | 136 | 224 | 331 | 434 | 629 | 1120 | 1364 | 1547 | 1819 | 2117 | 2744 | 3097 | 3736 | 3894 |
| KBH 705 P | 705 | 70.4 | 87.8 | 139 | 229 | 339 | 444 | 643 | 1144 | 1393 | 1580 | 1858 | 2163 | 2803 | 3164 | 3817 | 3978 |
| KBH 725 P | 725 | 72.4 | 90.3 | 143 | 235 | 348 | 456 | 661 | 1177 | 1433 | 1625 | 1911 | 2224 | 2883 | 3254 | 3925 | 4091 |
| KBH 755 P | 755 | 75.4 | 94.1 | 149 | 245 | 363 | 475 | 688 | 1225 | 1492 | 1692 | 1990 | 2316 | 3002 | 3388 | 4088 | 4260 |
| KBH 765 P | 765 | 76.4 | 95.3 | 151 | 248 | 367 | 482 | 698 | 1242 | 1512 | 1715 | 2017 | 2347 | 3042 | 3433 | 4142 | 4317 |
| KBH 785 P | 785 | 78.4 | 97.8 | 155 | 255 | 377 | 494 | 716 | 1274 | 1552 | 1760 | 2069 | 2408 | 3121 | 3523 | 4250 | 4430 |
| KBH 800 P | 800 | 79.9 | 99.7 | 158 | 260 | 384 | 504 | 729 | 1298 | 1581 | 1793 | 2109 | 2454 | 3181 | 3590 | 4331 | 4514 |
| KBH 825 P | 825 | 82.4 | 103 | 163 | 268 | 396 | 519 | 752 | 1339 | 1631 | 1849 | 2175 | 2531 | 3280 | 3703 | 4467 | 4655 |
| KBH 840 P | 840 | 83.9 | 105 | 166 | 273 | 403 | 529 | 766 | 1363 | 1660 | 1883 | 2214 | 2577 | 3340 | 3770 | 4548 | 4740 |
| KBH 865 P | 865 | 86.4 | 108 | 171 | 281 | 415 | 545 | 789 | 1404 | 1710 | 1939 | 2280 | 2654 | 3439 | 3882 | 4683 | 4881 |
| KBH 890 P | 890 | 88.9 | 111 | 176 | 289 | 427 | 560 | 812 | 1444 | 1759 | 1995 | 2346 | 2730 | 3539 | 3994 | 4818 | 5022 |
| KBH 910 P | 910 | 90.9 | 113 | 179 | 296 | 437 | 573 | 830 | 1477 | 1799 | 2040 | 2399 | 2792 | 3618 | 4084 | 4927 | 5135 |
| KBH 920 P | 920 | 91.9 | 115 | 181 | 299 | 442 | 579 | 839 | 1493 | 1818 | 2062 | 2425 | 2822 | 3658 | 4129 | 4981 | 5191 |
| KBH 930 P | 930 | 92.9 | 116 | 183 | 302 | 447 | 585 | 848 | 1509 | 1838 | 2085 | 2452 | 2853 | 3698 | 4174 | 5035 | 5248 |
| KBH 950 P | 950 | 94.9 | 118 | 187 | 309 | 456 | 598 | 866 | 1542 | 1878 | 2129 | 2504 | 2914 | 3777 | 4264 | 5143 | 5361 |
| KBH 990 P | 990 | 98.9 | 123 | 195 | 322 | 476 | 623 | 903 | 1607 | 1957 | 2219 | 2610 | 3037 | 3936 | 4443 | 5360 | 5586 |

Performance data of KBH range in Amperes

After long term float charge of fully charged cells at +20°C ±5°C (+68°F ± 9°F)

Final Cell Voltage: 1.00 V

| Cell Type | C ₅ Ah | Hours | | | | | | | Minutes | | | | | Seconds | | | |
|-----------|-------------------|-------|------|------|------|------|------|------|---------|------|------|------|------|---------|------|------|------|
| | | 10 | 8 | 5 | 3 | 2 | 1.5 | 1 | 30 | 20 | 15 | 10 | 5 | 60 | 30 | 5 | 1 |
| KBH 9 P | 9 | 0.91 | 1.14 | 1.80 | 2.96 | 4.40 | 5.79 | 8.46 | 15.5 | 20.9 | 23.8 | 28.0 | 34.7 | 46.7 | 53.0 | 66.9 | 73.2 |
| KBH 13 P | 13 | 1.31 | 1.64 | 2.60 | 4.28 | 6.35 | 8.37 | 12.2 | 22.4 | 30.1 | 34.4 | 40.4 | 50.2 | 67.5 | 76.6 | 96.7 | 106 |
| KBH 17 P | 17 | 1.71 | 2.15 | 3.40 | 5.59 | 8.31 | 10.9 | 16.0 | 29.3 | 39.4 | 44.9 | 52.9 | 65.6 | 88.3 | 100 | 126 | 138 |
| KBH 21 P | 21 | 2.11 | 2.65 | 4.20 | 6.91 | 10.3 | 13.5 | 19.7 | 36.2 | 48.7 | 55.5 | 65.3 | 81.0 | 109 | 124 | 156 | 171 |
| KBH 30 P | 30 | 3.02 | 3.79 | 6.00 | 9.87 | 14.7 | 19.3 | 28.2 | 51.7 | 69.6 | 79.3 | 93.3 | 116 | 156 | 177 | 223 | 244 |
| KBH 34 P | 34 | 3.42 | 4.29 | 6.80 | 11.2 | 16.6 | 21.9 | 32.0 | 58.6 | 78.8 | 89.9 | 106 | 131 | 177 | 200 | 253 | 277 |
| KBH 40 P | 40 | 4.03 | 5.05 | 8.00 | 13.2 | 19.6 | 25.8 | 37.7 | 68.4 | 91.9 | 105 | 124 | 151 | 190 | 214 | 260 | 277 |
| KBH 50 P | 50 | 5.04 | 6.31 | 10.0 | 16.5 | 24.4 | 32.2 | 47.1 | 85.5 | 115 | 132 | 156 | 189 | 238 | 267 | 325 | 346 |
| KBH 54 P | 54 | 5.44 | 6.82 | 10.8 | 17.8 | 26.4 | 34.7 | 50.8 | 93.1 | 125 | 146 | 173 | 215 | 280 | 318 | 400 | 439 |
| KBH 59 P | 59 | 5.94 | 7.45 | 11.8 | 19.5 | 28.8 | 38.0 | 55.5 | 102 | 137 | 159 | 189 | 235 | 306 | 348 | 437 | 480 |
| KBH 64 P | 64 | 6.45 | 8.08 | 12.8 | 21.1 | 31.3 | 41.2 | 60.2 | 110 | 148 | 173 | 205 | 255 | 332 | 377 | 474 | 521 |
| KBH 69 P | 69 | 6.95 | 8.71 | 13.8 | 22.8 | 33.7 | 44.4 | 64.9 | 119 | 160 | 186 | 221 | 275 | 358 | 406 | 512 | 561 |
| KBH 79 P | 79 | 7.96 | 9.97 | 15.8 | 26.1 | 38.6 | 50.8 | 74.3 | 136 | 183 | 213 | 253 | 314 | 410 | 465 | 586 | 643 |
| KBH 88 P | 88 | 8.86 | 11.1 | 17.6 | 29.1 | 43.0 | 56.6 | 82.8 | 152 | 204 | 237 | 282 | 350 | 457 | 518 | 652 | 716 |
| KBH 98 P | 98 | 9.87 | 12.4 | 19.6 | 32.4 | 47.9 | 63.1 | 92.2 | 169 | 227 | 264 | 314 | 390 | 509 | 577 | 727 | 797 |
| KBH 103 P | 103 | 10.4 | 13.0 | 20.6 | 34.0 | 50.3 | 66.3 | 96.9 | 178 | 239 | 278 | 330 | 410 | 535 | 607 | 764 | 838 |
| KBH 110 P | 110 | 11.1 | 13.9 | 22.0 | 36.3 | 53.7 | 70.8 | 103 | 190 | 255 | 297 | 353 | 438 | 571 | 648 | 816 | 895 |
| KBH 118 P | 118 | 11.9 | 14.9 | 23.6 | 39.0 | 57.6 | 75.9 | 111 | 204 | 274 | 318 | 378 | 470 | 613 | 695 | 875 | 960 |
| KBH 127 P | 127 | 12.8 | 16.0 | 25.4 | 41.9 | 62.0 | 81.7 | 119 | 219 | 295 | 342 | 407 | 505 | 659 | 748 | 942 | 1033 |
| KBH 137 P | 137 | 13.8 | 17.3 | 27.4 | 45.2 | 66.9 | 88.2 | 129 | 236 | 318 | 369 | 439 | 545 | 711 | 807 | 1016 | 1114 |
| KBH 147 P | 147 | 14.8 | 18.6 | 29.4 | 48.5 | 71.8 | 94.6 | 138 | 254 | 341 | 396 | 472 | 585 | 763 | 866 | 1090 | 1196 |
| KBH 157 P | 157 | 15.8 | 19.8 | 31.4 | 51.8 | 76.7 | 101 | 148 | 271 | 364 | 423 | 504 | 625 | 815 | 925 | 1164 | 1277 |
| KBH 170 P | 170 | 17.1 | 21.5 | 34.0 | 56.1 | 83.0 | 109 | 160 | 293 | 394 | 458 | 545 | 676 | 883 | 1001 | 1260 | 1383 |
| KBH 177 P | 177 | 17.8 | 22.3 | 35.4 | 58.4 | 86.4 | 114 | 166 | 305 | 410 | 477 | 568 | 704 | 919 | 1043 | 1312 | 1440 |
| KBH 185 P | 185 | 18.6 | 23.4 | 37.0 | 61.1 | 90.3 | 119 | 174 | 319 | 429 | 499 | 593 | 736 | 961 | 1090 | 1372 | 1505 |
| KBH 196 P | 196 | 19.7 | 24.7 | 39.2 | 64.7 | 95.7 | 126 | 184 | 338 | 455 | 528 | 629 | 780 | 1018 | 1154 | 1453 | 1594 |
| KBH 206 P | 206 | 20.7 | 26.0 | 41.2 | 68.0 | 101 | 133 | 194 | 355 | 478 | 555 | 661 | 820 | 1070 | 1213 | 1527 | 1676 |
| KBH 218 P | 218 | 22.0 | 27.5 | 43.6 | 72.0 | 106 | 140 | 205 | 376 | 506 | 588 | 699 | 867 | 1132 | 1284 | 1616 | 1773 |
| KBH 236 P | 236 | 23.8 | 29.8 | 47.2 | 77.9 | 115 | 152 | 222 | 407 | 547 | 636 | 757 | 939 | 1225 | 1390 | 1750 | 1920 |
| KBH 245 P | 245 | 24.7 | 30.9 | 49.0 | 80.9 | 120 | 158 | 230 | 423 | 568 | 660 | 786 | 975 | 1272 | 1443 | 1816 | 1993 |
| KBH 255 P | 255 | 25.7 | 32.2 | 51.0 | 84.2 | 125 | 164 | 240 | 436 | 586 | 672 | 794 | 963 | 1213 | 1364 | 1658 | 1764 |
| KBH 265 P | 265 | 26.7 | 33.5 | 53.0 | 87.5 | 130 | 171 | 250 | 453 | 609 | 698 | 825 | 1000 | 1260 | 1417 | 1723 | 1833 |
| KBH 275 P | 275 | 27.7 | 34.7 | 55.0 | 90.8 | 134 | 177 | 259 | 470 | 632 | 724 | 856 | 1038 | 1308 | 1471 | 1788 | 1902 |
| KBH 290 P | 290 | 29.2 | 36.6 | 58.0 | 95.7 | 142 | 187 | 273 | 496 | 667 | 764 | 902 | 1095 | 1379 | 1551 | 1886 | 2006 |
| KBH 300 P | 300 | 30.2 | 37.9 | 60.0 | 99.0 | 147 | 193 | 283 | 513 | 690 | 790 | 934 | 1132 | 1427 | 1605 | 1951 | 2075 |
| KBH 315 P | 315 | 31.7 | 39.8 | 63.0 | 104 | 154 | 203 | 297 | 539 | 724 | 830 | 980 | 1189 | 1498 | 1685 | 2049 | 2179 |
| KBH 330 P | 330 | 33.2 | 41.7 | 66.0 | 109 | 161 | 213 | 311 | 564 | 758 | 869 | 1027 | 1246 | 1569 | 1765 | 2146 | 2283 |
| KBH 353 P | 353 | 35.5 | 44.6 | 70.6 | 117 | 172 | 227 | 332 | 609 | 819 | 952 | 1132 | 1405 | 1833 | 2079 | 2617 | 2871 |
| KBH 362 P | 362 | 36.5 | 45.7 | 72.4 | 120 | 177 | 233 | 340 | 624 | 840 | 976 | 1161 | 1440 | 1880 | 2132 | 2684 | 2945 |

Performance data of KBH range in Amperes

After long term float charge of fully charged cells at +20°C ±5°C (+68°F ± 9°F)

Final Cell Voltage: 1.00 V

| Cell Type | C ₅ Ah | Hours | | | | | | | Minutes | | | | | Seconds | | | |
|-----------|-------------------|-------|------|------|-----|-----|-----|-----|---------|------|------|------|------|---------|------|------|------|
| | | 10 | 8 | 5 | 3 | 2 | 1.5 | 1 | 30 | 20 | 15 | 10 | 5 | 60 | 30 | 5 | 1 |
| KBH 375 P | 375 | 37.8 | 47.3 | 75.0 | 124 | 183 | 241 | 353 | 641 | 862 | 988 | 1167 | 1415 | 1783 | 2006 | 2439 | 2594 |
| KBH 393 P | 393 | 39.6 | 49.6 | 78.6 | 130 | 192 | 253 | 370 | 672 | 903 | 1035 | 1223 | 1483 | 1869 | 2102 | 2556 | 2719 |
| KBH 410 P | 410 | 41.3 | 51.8 | 82.0 | 135 | 200 | 264 | 386 | 701 | 942 | 1080 | 1276 | 1548 | 1950 | 2193 | 2666 | 2836 |
| KBH 420 P | 420 | 42.3 | 53.0 | 84.0 | 139 | 205 | 270 | 396 | 718 | 965 | 1106 | 1307 | 1585 | 1997 | 2246 | 2731 | 2905 |
| KBH 430 P | 430 | 43.3 | 54.3 | 86.0 | 142 | 210 | 277 | 405 | 735 | 988 | 1133 | 1338 | 1623 | 2045 | 2300 | 2797 | 2974 |
| KBH 450 P | 450 | 45.3 | 56.8 | 90.0 | 149 | 220 | 290 | 424 | 770 | 1034 | 1185 | 1400 | 1699 | 2140 | 2407 | 2927 | 3113 |
| KBH 471 P | 471 | 47.4 | 59.5 | 94.2 | 155 | 230 | 303 | 444 | 806 | 1083 | 1241 | 1466 | 1778 | 2240 | 2519 | 3063 | 3258 |
| KBH 481 P | 481 | 48.4 | 60.7 | 96.2 | 159 | 235 | 310 | 453 | 823 | 1106 | 1267 | 1497 | 1816 | 2287 | 2573 | 3128 | 3327 |
| KBH 491 P | 491 | 49.4 | 62.0 | 98.2 | 162 | 240 | 316 | 463 | 840 | 1128 | 1293 | 1528 | 1853 | 2335 | 2626 | 3193 | 3396 |
| KBH 510 P | 510 | 51.4 | 64.4 | 102 | 168 | 249 | 328 | 480 | 872 | 1172 | 1343 | 1587 | 1925 | 2425 | 2728 | 3317 | 3528 |
| KBH 530 P | 530 | 53.4 | 66.9 | 106 | 175 | 259 | 341 | 499 | 907 | 1218 | 1396 | 1649 | 2001 | 2520 | 2835 | 3447 | 3666 |
| KBH 540 P | 540 | 54.4 | 68.2 | 108 | 178 | 264 | 348 | 509 | 924 | 1241 | 1422 | 1681 | 2038 | 2568 | 2888 | 3512 | 3735 |
| KBH 560 P | 560 | 56.4 | 70.7 | 112 | 185 | 274 | 361 | 528 | 958 | 1287 | 1475 | 1743 | 2114 | 2663 | 2995 | 3642 | 3874 |
| KBH 575 P | 575 | 57.9 | 72.6 | 115 | 190 | 281 | 370 | 542 | 983 | 1322 | 1515 | 1789 | 2170 | 2734 | 3075 | 3740 | 3978 |
| KBH 590 P | 590 | 59.4 | 74.5 | 118 | 195 | 289 | 380 | 556 | 1009 | 1356 | 1554 | 1836 | 2227 | 2805 | 3156 | 3837 | 4081 |
| KBH 600 P | 600 | 60.4 | 75.7 | 120 | 198 | 293 | 386 | 565 | 1026 | 1379 | 1580 | 1867 | 2265 | 2853 | 3209 | 3902 | 4150 |
| KBH 615 P | 615 | 61.9 | 77.6 | 123 | 203 | 301 | 396 | 579 | 1052 | 1413 | 1620 | 1914 | 2321 | 2924 | 3289 | 4000 | 4254 |
| KBH 630 P | 630 | 63.4 | 79.5 | 126 | 208 | 308 | 406 | 594 | 1078 | 1448 | 1660 | 1961 | 2378 | 2996 | 3370 | 4097 | 4358 |
| KBH 640 P | 640 | 64.5 | 80.8 | 128 | 211 | 313 | 412 | 603 | 1095 | 1471 | 1686 | 1992 | 2416 | 3043 | 3423 | 4162 | 4427 |
| KBH 655 P | 655 | 66.0 | 82.7 | 131 | 216 | 320 | 422 | 617 | 1120 | 1505 | 1725 | 2038 | 2472 | 3115 | 3503 | 4260 | 4531 |
| KBH 670 P | 670 | 67.5 | 84.6 | 134 | 221 | 328 | 431 | 631 | 1146 | 1540 | 1765 | 2085 | 2529 | 3186 | 3584 | 4357 | 4635 |
| KBH 680 P | 680 | 68.5 | 85.8 | 136 | 224 | 333 | 438 | 641 | 1163 | 1563 | 1791 | 2116 | 2567 | 3233 | 3637 | 4422 | 4704 |
| KBH 690 P | 690 | 69.5 | 87.1 | 138 | 228 | 337 | 444 | 650 | 1180 | 1586 | 1818 | 2147 | 2604 | 3281 | 3691 | 4487 | 4773 |
| KBH 705 P | 705 | 71.0 | 89.0 | 141 | 233 | 345 | 454 | 664 | 1206 | 1620 | 1857 | 2194 | 2661 | 3352 | 3771 | 4585 | 4877 |
| KBH 725 P | 725 | 73.0 | 91.5 | 145 | 239 | 355 | 467 | 683 | 1240 | 1666 | 1910 | 2256 | 2737 | 3447 | 3878 | 4715 | 5015 |
| KBH 755 P | 755 | 76.0 | 95.3 | 151 | 249 | 369 | 486 | 711 | 1291 | 1735 | 1989 | 2350 | 2850 | 3590 | 4038 | 4910 | 5223 |
| KBH 765 P | 765 | 77.0 | 96.6 | 153 | 252 | 374 | 493 | 721 | 1308 | 1758 | 2015 | 2381 | 2888 | 3638 | 4092 | 4975 | 5292 |
| KBH 785 P | 785 | 79.1 | 99.1 | 157 | 259 | 384 | 506 | 740 | 1343 | 1804 | 2068 | 2443 | 2963 | 3733 | 4199 | 5105 | 5430 |
| KBH 800 P | 800 | 80.6 | 101 | 160 | 264 | 391 | 515 | 754 | 1368 | 1839 | 2107 | 2490 | 3020 | 3804 | 4279 | 5203 | 5534 |
| KBH 825 P | 825 | 83.1 | 104 | 165 | 272 | 403 | 531 | 777 | 1411 | 1896 | 2173 | 2567 | 3114 | 3923 | 4413 | 5365 | 5707 |
| KBH 840 P | 840 | 84.6 | 106 | 168 | 277 | 411 | 541 | 791 | 1437 | 1931 | 2213 | 2614 | 3171 | 3994 | 4493 | 5463 | 5811 |
| KBH 865 P | 865 | 87.1 | 109 | 173 | 285 | 423 | 557 | 815 | 1480 | 1988 | 2279 | 2692 | 3265 | 4113 | 4627 | 5626 | 5984 |
| KBH 890 P | 890 | 89.6 | 112 | 178 | 294 | 435 | 573 | 838 | 1522 | 2046 | 2344 | 2770 | 3359 | 4232 | 4760 | 5788 | 6156 |
| KBH 910 P | 910 | 91.6 | 115 | 182 | 300 | 445 | 586 | 857 | 1556 | 2092 | 2397 | 2832 | 3435 | 4327 | 4867 | 5918 | 6295 |
| KBH 920 P | 920 | 92.6 | 116 | 184 | 304 | 450 | 592 | 867 | 1574 | 2114 | 2423 | 2863 | 3473 | 4375 | 4921 | 5983 | 6364 |
| KBH 930 P | 930 | 93.7 | 117 | 186 | 307 | 455 | 599 | 876 | 1591 | 2137 | 2450 | 2894 | 3510 | 4422 | 4974 | 6048 | 6433 |
| KBH 950 P | 950 | 95.7 | 120 | 190 | 314 | 465 | 612 | 895 | 1625 | 2183 | 2502 | 2956 | 3586 | 4517 | 5081 | 6178 | 6572 |
| KBH 990 P | 990 | 99.7 | 125 | 198 | 327 | 484 | 638 | 933 | 1693 | 2275 | 2608 | 3081 | 3737 | 4708 | 5295 | 6439 | 6848 |

M Range

Cell dimensions and weight details

| Cell type | Capacity (C ₅ Ah) | Cell dimensions in mm | | | | | Approx. weight per cell in kg | Cell connection bolt size | Container size reference | Approx. reserve electrolyte cc/cell |
|-----------|------------------------------|-----------------------|-------|------------------|-------------|-------------|-------------------------------|---------------------------|--------------------------|-------------------------------------|
| | | Height | Width | Length per block | | | | | | |
| | | | | 1.2 V L (1) | 2.4 V L (2) | 3.6 V L (3) | | | | |
| KBM 12 P | 12 | 264 | 123 | | 69 | 100 | 1.30 | M6 | B21-1 | 90 |
| KBM 17 P | 17 | | | | | | 1.40 | | | |
| KBM 22 P | 22 | 264 | 123 | | 79 | 115 | 1.80 | M6 | B22-1 | 110 |
| KBM 28 P | 28 | | | | | | 1.90 | | | |
| KBM 35 P | 35 | 264 | 123 | | 103 | 151 | 2.30 | M6 | B23-1 | 145 |
| KBM 44 P | 44 | | | | | | 2.90 | | | |
| KBM 50 P | 50 | 405 | 195 | | 79 | 115 | 3.30 | M10 | B45-1 | 280 |
| KBM 57 P | 57 | | | | | | 4.20 | | | |
| KBM 67 P | 67 | 405 | 195 | | 79 | 115 | 4.25 | M10 | B45-1 | 280 |
| KBM 75 P | 75 | | | | | | 4.50 | | | |
| KBM 90 P | 90 | 405 | 195 | | 94 | 137 | 5.00 | M10 | B44-1 | 350 |
| KBM 95 P | 95 | | | | | | 5.20 | | | |
| KBM 100 P | 100 | 405 | 195 | | 94 | 137 | 5.30 | M10 | B44-1 | 350 |
| KBM 112 P | 112 | | | | | | 5.70 | | | |
| KBM 118 P | 118 | 405 | 195 | | 115 | 169 | 6.60 | M10 | B42A-1 | 450 |
| KBM 128 P | 128 | | | | | | 7.00 | | | |
| KBM 138 P | 138 | 405 | 195 | | 115 | 169 | 7.30 | M10 | B42A-1 | 450 |
| KBM 150 P | 150 | | | | | | 8.20 | | | |
| KBM 161 P | 161 | 405 | 195 | | 127 | 187 | 8.40 | M10 | B42-1 | 515 |
| KBM 170 P | 170 | | | | | | 8.60 | | | |
| KBM 184 P | 184 | 405 | 195 | | 159 | 232 | 9.70 | M10 | B41B-1 | 650 |
| KBM 193 P | 193 | | | | | | 9.80 | | | |
| KBM 200 P | 200 | 405 | 195 | | 183 | 268 | 10.5 | M10 | B41-1 | 745 |
| KBM 208 P | 208 | | | | | | 10.8 | | | |
| KBM 218 P | 218 | 405 | 195 | | 183 | 268 | 11.0 | M10 | B41-1 | 745 |
| KBM 231 P | 231 | | | | | | 11.6 | | | |
| KBM 241 P | 241 | 405 | 195 | | 120 | 228 | 11.7 | M10 | B41-1 | 745 |
| KBM 250 P | 250 | | | | | | 14.0 | | | |
| KBM 260 P | 260 | 405 | 195 | | 120 | 228 | 14.2 | 2 x M10 | B42A-2 | 900 |
| KBM 277 P | 277 | | | | | | 14.5 | | | |
| KBM 300 P | 300 | 405 | 195 | | 132 | 252 | 16.6 | 2 x M10 | B42-2 | 1030 |
| KBM 323 P | 323 | | | | | | 16.7 | | | |
| KBM 346 P | 346 | 405 | 195 | | 159 | 304 | 17.3 | 2 x M10 | B41B-2 | 1300 |
| KBM 369 P | 369 | | | | | | 19.4 | | | |
| KBM 390 P | 390 | 405 | 195 | | 159 | 304 | 19.6 | 2 x M10 | B41B-2 | 1300 |
| KBM 400 P | 400 | | | | | | 21.0 | | | |
| KBM 415 P | 415 | 405 | 195 | | 183 | 352 | 21.7 | 2 x M10 | B41-2 | 1490 |
| KBM 438 P | 438 | | | | | | 21.9 | | | |
| KBM 461 P | 461 | 405 | 195 | | 183 | 352 | 22.9 | 2 x M10 | B41-2 | 1490 |
| KBM 485 P | 485 | | | | | | 23.2 | | | |

M Range

Cell dimensions and weight details

| Cell type | Capacity (C ₅ Ah) | Cell dimensions in mm | | | | | Approx. weight per cell in kg | Cell connection bolt size | Container size reference | Approx. reserve electrolyte cc/cell | | | | | | | | |
|------------|------------------------------|-----------------------|-------|------------------|-------------|-------------|-------------------------------|---------------------------|--------------------------|-------------------------------------|-----|-----|--|--|------|---------|-------|------|
| | | Height | Width | Length per block | | | | | | | | | | | | | | |
| | | | | 1.2 V L (1) | 2.4 V L (2) | 3.6 V L (3) | | | | | | | | | | | | |
| KBM 505 P | 505 | 405 | 195 | 232 | | | 27.6 | 3 x M10 | B41B-3 | 1950 | | | | | | | | |
| KBM 525 P | 525 | | | | | | 28.4 | | | | | | | | | | | |
| KBM 555 P | 555 | | | | | | 29.0 | | | | | | | | | | | |
| KBM 580 P | 580 | | | | | | 29.3 | | | | | | | | | | | |
| KBM 600 P | 600 | 405 | 195 | 268 | | | 32.5 | 3 x M10 | B41-3 | 2235 | | | | | | | | |
| KBM 625 P | 625 | | | | | | 32.9 | | | | | | | | | | | |
| KBM 650 P | 650 | | | | | | 33.2 | | | | | | | | | | | |
| KBM 675 P | 675 | | | | | | 34.1 | | | | | | | | | | | |
| KBM 690 P | 690 | | | | | | 34.7 | | | | | | | | | | | |
| KBM 723 P | 723 | | | | | | 35.0 | | | | | | | | | | | |
| KBM 740 P | 740 | 405 | 195 | 304 | | | 38.7 | 4 x M10 | B41B-4 | 2600 | | | | | | | | |
| KBM 770 P | 770 | | | | | | 39.1 | | | | | | | | | | | |
| KBM 790 P | 790 | 405 | 195 | 352 | | | 43.4 | 4 x M10 | B41-4 | 2980 | | | | | | | | |
| KBM 805 P | 805 | | | | | | 43.0 | | | | | | | | | | | |
| KBM 830 P | 830 | | | | | | 43.4 | | | | | | | | | | | |
| KBM 865 P | 865 | | | | | | 43.8 | | | | | | | | | | | |
| KBM 890 P | 890 | | | | | | 45.2 | | | | | | | | | | | |
| KBM 920 P | 920 | | | | | | 46.0 | | | | | | | | | | | |
| KBM 940 P | 940 | | | | | | 45.9 | | | | | | | | | | | |
| KBM 965 P | 965 | | | | | | 46.2 | | | | | | | | | | | |
| KBM 1000 P | 1000 | | | | | | 405 | | | | 195 | 437 | | | 54.1 | 5 x M10 | B41-5 | 3725 |
| KBM 1040 P | 1040 | | | | | | | | | | | | | | 55.4 | | | |
| KBM 1080 P | 1080 | 56.0 | | | | | | | | | | | | | | | | |
| KBM 1100 P | 1100 | 56.1 | | | | | | | | | | | | | | | | |
| KBM 1150 P | 1150 | 58.4 | | | | | | | | | | | | | | | | |
| KBM 1180 P | 1180 | 58.6 | | | | | | | | | | | | | | | | |
| KBM 1220 P | 1220 | 405 | 195 | 522 | | | 64.3 | 6 x M10 | B41-6 | 4470 | | | | | | | | |
| KBM 1270 P | 1270 | | | | | | 65.6 | | | | | | | | | | | |
| KBM 1320 P | 1320 | | | | | | 65.9 | | | | | | | | | | | |
| KBM 1390 P | 1390 | | | | | | 69.3 | | | | | | | | | | | |
| KBM 1445 P | 1445 | | | | | | 70.0 | | | | | | | | | | | |
| KBM 1460 P | 1460 | | | | | | 70.1 | | | | | | | | | | | |

Performance data of KBM range in Amperes

After fully charged with constant current charging at +20°C ±5°C (+68°F ± 9°F)

Final Cell Voltage: 1.14 V

| Cell Type | C ₅ Ah | Hours | | | | | | | Minutes | | | | | Seconds | | | |
|-----------|-------------------|-------|------|-------|-------|------|------|------|---------|------|------|------|------|---------|------|------|------|
| | | 10 | 8 | 5 | 3 | 2 | 1.5 | 1 | 30 | 20 | 15 | 10 | 5 | 60 | 30 | 5 | 1 |
| KBM 12 P | 12 | 1.16 | 1.44 | 2.26 | 3.60 | 5.05 | 6.19 | 7.57 | 10.23 | 11.9 | 13.3 | 15.1 | 18.3 | 26.1 | 29.3 | 34.2 | 35.8 |
| KBM 17 P | 17 | 1.64 | 2.04 | 3.21 | 5.10 | 7.15 | 8.77 | 10.7 | 14.5 | 16.8 | 18.9 | 21.4 | 25.9 | 37.0 | 41.5 | 48.5 | 50.8 |
| KBM 22 P | 22 | 2.13 | 2.64 | 4.15 | 6.60 | 9.26 | 11.4 | 13.9 | 18.7 | 21.8 | 24.4 | 27.7 | 33.5 | 47.9 | 53.7 | 62.7 | 65.7 |
| KBM 28 P | 28 | 2.71 | 3.36 | 5.28 | 8.40 | 11.8 | 14.4 | 17.7 | 23.9 | 27.7 | 31.1 | 35.3 | 42.6 | 61.0 | 68.3 | 79.9 | 83.6 |
| KBM 35 P | 35 | 3.38 | 4.20 | 6.60 | 10.5 | 14.7 | 18.1 | 22.1 | 29.8 | 34.7 | 38.8 | 44.1 | 53.2 | 76.3 | 85.4 | 99.8 | 105 |
| KBM 44 P | 44 | 4.26 | 5.28 | 8.30 | 13.2 | 18.5 | 22.7 | 27.7 | 37.5 | 43.6 | 48.8 | 55.4 | 66.9 | 95.9 | 107 | 125 | 131 |
| KBM 50 P | 50 | 4.84 | 6.00 | 9.42 | 15.0 | 21.0 | 25.7 | 31.5 | 41.9 | 49.0 | 54.0 | 61.5 | 73.6 | 103 | 115 | 132 | 137 |
| KBM 57 P | 57 | 5.51 | 6.84 | 10.7 | 17.1 | 23.9 | 29.3 | 35.9 | 47.8 | 55.9 | 61.6 | 70.1 | 83.9 | 118 | 131 | 150 | 156 |
| KBM 67 P | 67 | 6.48 | 8.04 | 12.6 | 20.2 | 28.1 | 34.4 | 42.2 | 56.2 | 65.7 | 72.4 | 82.4 | 98.6 | 138 | 153 | 177 | 184 |
| KBM 75 P | 75 | 7.25 | 9.00 | 14.1 | 22.6 | 31.5 | 38.5 | 47.2 | 62.9 | 73.6 | 81.1 | 92.3 | 110 | 155 | 172 | 198 | 206 |
| KBM 90 P | 90 | 8.70 | 10.8 | 17.0 | 27.1 | 37.8 | 46.2 | 56.7 | 75.5 | 88.3 | 97.3 | 111 | 132 | 186 | 206 | 238 | 247 |
| KBM 95 P | 95 | 9.19 | 11.4 | 17.9 | 28.6 | 39.9 | 48.8 | 59.8 | 79.7 | 93.2 | 103 | 117 | 140 | 196 | 218 | 251 | 260 |
| KBM 100 P | 100 | 9.67 | 12.0 | 18.8 | 30.1 | 42.0 | 51.4 | 63.0 | 83.9 | 98.1 | 108 | 123 | 147 | 206 | 229 | 264 | 274 |
| KBM 112 P | 112 | 10.8 | 13.4 | 21.1 | 33.7 | 47.0 | 57.6 | 70.6 | 93.9 | 110 | 121 | 138 | 165 | 231 | 256 | 296 | 307 |
| KBM 118 P | 118 | 11.4 | 14.2 | 22.2 | 35.5 | 49.6 | 60.6 | 74.3 | 98.9 | 116 | 128 | 145 | 174 | 243 | 270 | 312 | 323 |
| KBM 128 P | 128 | 12.4 | 15.4 | 24.11 | 38.50 | 53.8 | 65.8 | 80.6 | 107 | 126 | 138 | 157 | 188 | 264 | 293 | 338 | 351 |
| KBM 138 P | 138 | 13.3 | 16.6 | 26.0 | 41.5 | 58.0 | 70.9 | 86.9 | 116 | 135 | 149 | 170 | 203 | 285 | 316 | 364 | 378 |
| KBM 150 P | 150 | 14.5 | 18.0 | 28.3 | 45.1 | 63.0 | 77.1 | 94.5 | 126 | 147 | 162 | 185 | 221 | 309 | 344 | 396 | 411 |
| KBM 161 P | 161 | 15.6 | 19.3 | 30.3 | 48.4 | 67.6 | 82.7 | 101 | 135 | 158 | 174 | 198 | 237 | 332 | 369 | 425 | 441 |
| KBM 170 P | 170 | 16.4 | 20.4 | 32.0 | 51.1 | 71.4 | 87.4 | 107 | 143 | 167 | 184 | 209 | 250 | 351 | 389 | 449 | 466 |
| KBM 184 P | 184 | 17.8 | 22.1 | 34.7 | 55.3 | 77.3 | 94.5 | 116 | 154 | 181 | 199 | 226 | 271 | 379 | 421 | 486 | 504 |
| KBM 193 P | 193 | 18.7 | 23.2 | 36.4 | 58.0 | 81.1 | 99.2 | 122 | 162 | 189 | 209 | 237 | 284 | 398 | 442 | 510 | 529 |
| KBM 200 P | 200 | 19.3 | 24.0 | 37.7 | 60.2 | 84.0 | 103 | 126 | 168 | 196 | 216 | 246 | 294 | 412 | 458 | 528 | 548 |
| KBM 208 P | 208 | 20.1 | 25.0 | 39.2 | 62.6 | 87.4 | 107 | 131 | 174 | 204 | 225 | 256 | 306 | 429 | 476 | 549 | 570 |
| KBM 218 P | 218 | 21.1 | 26.2 | 41.1 | 65.6 | 91.6 | 112 | 137 | 183 | 214 | 236 | 268 | 321 | 450 | 499 | 576 | 597 |
| KBM 231 P | 231 | 22.3 | 27.7 | 43.5 | 69.5 | 97.0 | 119 | 146 | 194 | 227 | 250 | 284 | 340 | 476 | 529 | 610 | 633 |
| KBM 241 P | 241 | 23.3 | 28.9 | 45.4 | 72.5 | 101 | 124 | 152 | 202 | 236 | 260 | 296 | 355 | 497 | 552 | 636 | 660 |
| KBM 250 P | 250 | 24.2 | 30.0 | 47.1 | 75.2 | 105 | 128 | 157 | 210 | 245 | 270 | 308 | 368 | 515 | 573 | 660 | 685 |
| KBM 260 P | 260 | 25.1 | 31.2 | 49.0 | 78.2 | 109 | 134 | 164 | 218 | 255 | 281 | 320 | 383 | 536 | 595 | 686 | 713 |
| KBM 277 P | 277 | 26.8 | 33.3 | 52.2 | 83.3 | 116 | 142 | 175 | 232 | 272 | 299 | 341 | 408 | 571 | 634 | 731 | 759 |
| KBM 300 P | 300 | 29.0 | 36.0 | 56.5 | 90.2 | 126 | 154 | 189 | 252 | 294 | 324 | 369 | 442 | 619 | 687 | 792 | 822 |
| KBM 323 P | 323 | 31.2 | 38.8 | 60.8 | 97.1 | 136 | 166 | 203 | 271 | 317 | 349 | 397 | 475 | 666 | 740 | 853 | 885 |
| KBM 346 P | 346 | 33.5 | 41.5 | 65.2 | 104 | 145 | 178 | 218 | 290 | 339 | 374 | 426 | 509 | 713 | 792 | 913 | 948 |
| KBM 369 P | 369 | 35.7 | 44.3 | 69.5 | 111 | 155 | 190 | 232 | 309 | 362 | 399 | 454 | 543 | 761 | 845 | 974 | 1011 |
| KBM 390 P | 390 | 37.7 | 46.8 | 73.5 | 117 | 164 | 200 | 246 | 327 | 383 | 422 | 480 | 574 | 804 | 893 | 1030 | 1069 |
| KBM 400 P | 400 | 38.7 | 48.0 | 75.4 | 120 | 168 | 206 | 252 | 335 | 392 | 432 | 492 | 589 | 825 | 916 | 1056 | 1096 |
| KBM 415 P | 415 | 40.1 | 49.8 | 78.2 | 125 | 174 | 213 | 261 | 348 | 407 | 449 | 511 | 611 | 856 | 950 | 1096 | 1137 |
| KBM 438 P | 438 | 42.4 | 52.6 | 82.5 | 132 | 184 | 225 | 276 | 367 | 430 | 473 | 539 | 645 | 903 | 1003 | 1156 | 1200 |
| KBM 461 P | 461 | 44.6 | 55.3 | 86.8 | 139 | 194 | 237 | 290 | 387 | 452 | 498 | 567 | 679 | 951 | 1056 | 1217 | 1263 |
| KBM 485 P | 485 | 46.9 | 58.2 | 91.4 | 146 | 204 | 249 | 306 | 407 | 476 | 524 | 597 | 714 | 1000 | 1111 | 1280 | 1329 |

Performance data of KBM range in Amperes

After fully charged with constant current charging at +20°C ±5°C (+68°F ± 9°F)

Final Cell Voltage: 1.14 V

| Cell Type | C ₅ Ah | Hours | | | | | | | Minutes | | | | | Seconds | | | |
|------------|-------------------|-------|------|------|-----|-----|-----|-----|---------|------|------|------|------|---------|------|------|------|
| | | 10 | 8 | 5 | 3 | 2 | 1.5 | 1 | 30 | 20 | 15 | 10 | 5 | 60 | 30 | 5 | 1 |
| KBM 505 P | 505 | 48.8 | 60.6 | 95.1 | 152 | 212 | 259 | 318 | 423 | 495 | 546 | 621 | 743 | 1041 | 1156 | 1333 | 1384 |
| KBM 525 P | 525 | 50.8 | 63.0 | 98.9 | 158 | 220 | 270 | 331 | 440 | 515 | 567 | 646 | 773 | 1083 | 1202 | 1386 | 1439 |
| KBM 555 P | 555 | 53.7 | 66.6 | 105 | 167 | 233 | 285 | 350 | 465 | 544 | 600 | 683 | 817 | 1144 | 1271 | 1465 | 1521 |
| KBM 580 P | 580 | 56.1 | 69.6 | 109 | 174 | 244 | 298 | 365 | 486 | 569 | 627 | 714 | 854 | 1196 | 1328 | 1531 | 1590 |
| KBM 600 P | 600 | 58.0 | 72.0 | 113 | 180 | 252 | 308 | 378 | 503 | 589 | 649 | 738 | 883 | 1237 | 1374 | 1584 | 1644 |
| KBM 625 P | 625 | 60.4 | 75.0 | 118 | 188 | 262 | 321 | 394 | 524 | 613 | 676 | 769 | 920 | 1289 | 1431 | 1650 | 1713 |
| KBM 650 P | 650 | 62.9 | 78.0 | 122 | 195 | 273 | 334 | 409 | 545 | 638 | 703 | 800 | 957 | 1340 | 1489 | 1716 | 1781 |
| KBM 675 P | 675 | 65.3 | 81.0 | 127 | 203 | 283 | 347 | 425 | 566 | 662 | 730 | 830 | 994 | 1392 | 1546 | 1782 | 1850 |
| KBM 690 P | 690 | 66.7 | 82.8 | 130 | 208 | 290 | 355 | 435 | 579 | 677 | 746 | 849 | 1016 | 1423 | 1580 | 1822 | 1891 |
| KBM 723 P | 723 | 69.9 | 86.8 | 136 | 217 | 304 | 372 | 455 | 606 | 709 | 781 | 889 | 1064 | 1491 | 1656 | 1909 | 1981 |
| KBM 740 P | 740 | 71.6 | 88.8 | 139 | 223 | 311 | 380 | 466 | 620 | 726 | 800 | 910 | 1089 | 1526 | 1695 | 1954 | 2028 |
| KBM 770 P | 770 | 74.5 | 92.4 | 145 | 232 | 323 | 396 | 485 | 646 | 755 | 832 | 947 | 1133 | 1588 | 1763 | 2033 | 2110 |
| KBM 790 P | 790 | 76.4 | 94.8 | 149 | 238 | 332 | 406 | 498 | 662 | 775 | 854 | 972 | 1163 | 1629 | 1809 | 2086 | 2165 |
| KBM 805 P | 805 | 77.9 | 96.6 | 152 | 242 | 338 | 414 | 507 | 675 | 790 | 870 | 990 | 1185 | 1660 | 1844 | 2125 | 2206 |
| KBM 830 P | 830 | 80.3 | 99.6 | 156 | 250 | 349 | 426 | 523 | 696 | 814 | 897 | 1021 | 1222 | 1711 | 1901 | 2191 | 2275 |
| KBM 865 P | 865 | 83.7 | 104 | 163 | 260 | 363 | 444 | 545 | 725 | 849 | 935 | 1064 | 1273 | 1784 | 1981 | 2284 | 2371 |
| KBM 890 P | 890 | 86.1 | 107 | 168 | 268 | 374 | 457 | 561 | 746 | 873 | 962 | 1095 | 1310 | 1835 | 2038 | 2350 | 2439 |
| KBM 920 P | 920 | 89.0 | 110 | 173 | 277 | 386 | 473 | 580 | 771 | 903 | 994 | 1132 | 1354 | 1897 | 2107 | 2429 | 2521 |
| KBM 940 P | 940 | 90.9 | 113 | 177 | 283 | 395 | 483 | 592 | 788 | 922 | 1016 | 1156 | 1384 | 1938 | 2153 | 2482 | 2576 |
| KBM 965 P | 965 | 93.3 | 116 | 182 | 290 | 405 | 496 | 608 | 809 | 947 | 1043 | 1187 | 1421 | 1990 | 2210 | 2548 | 2645 |
| KBM 1000 P | 1000 | 96.7 | 120 | 188 | 301 | 420 | 514 | 630 | 839 | 981 | 1081 | 1230 | 1472 | 2062 | 2290 | 2640 | 2741 |
| KBM 1040 P | 1040 | 101 | 125 | 196 | 313 | 437 | 534 | 655 | 872 | 1020 | 1124 | 1279 | 1531 | 2144 | 2382 | 2746 | 2850 |
| KBM 1080 P | 1080 | 104 | 130 | 203 | 325 | 454 | 555 | 680 | 906 | 1059 | 1167 | 1329 | 1590 | 2227 | 2473 | 2851 | 2960 |
| KBM 1100 P | 1100 | 106 | 132 | 207 | 331 | 462 | 565 | 693 | 922 | 1079 | 1189 | 1353 | 1619 | 2268 | 2519 | 2904 | 3015 |
| KBM 1150 P | 1150 | 111 | 138 | 217 | 346 | 483 | 591 | 724 | 964 | 1128 | 1243 | 1415 | 1693 | 2371 | 2634 | 3036 | 3152 |
| KBM 1180 P | 1180 | 114 | 142 | 222 | 355 | 496 | 606 | 743 | 989 | 1158 | 1275 | 1452 | 1737 | 2433 | 2702 | 3115 | 3234 |
| KBM 1220 P | 1220 | 118 | 146 | 230 | 367 | 512 | 627 | 769 | 1023 | 1197 | 1319 | 1501 | 1796 | 2516 | 2794 | 3221 | 3343 |
| KBM 1270 P | 1270 | 123 | 152 | 239 | 382 | 533 | 653 | 800 | 1065 | 1246 | 1373 | 1562 | 1870 | 2619 | 2908 | 3353 | 3480 |
| KBM 1320 P | 1320 | 128 | 158 | 249 | 397 | 554 | 678 | 832 | 1107 | 1295 | 1427 | 1624 | 1943 | 2722 | 3023 | 3485 | 3617 |
| KBM 1390 P | 1390 | 134 | 167 | 262 | 418 | 584 | 714 | 876 | 1166 | 1364 | 1502 | 1710 | 2046 | 2866 | 3183 | 3670 | 3809 |
| KBM 1445 P | 1445 | 140 | 173 | 272 | 435 | 607 | 743 | 910 | 1212 | 1418 | 1562 | 1778 | 2127 | 2980 | 3309 | 3815 | 3960 |
| KBM 1460 P | 1460 | 141 | 175 | 275 | 439 | 613 | 750 | 920 | 1224 | 1432 | 1578 | 1796 | 2149 | 3011 | 3344 | 3854 | 4001 |

Performance data of KBM range in Amperes

After fully charged with constant current charging at +20°C ±5°C (+68°F ± 9°F)

Final Cell Voltage: 1.10 V

| Cell Type | C ₅ Ah | Hours | | | | | | | Minutes | | | | | Seconds | | | |
|-----------|-------------------|-------|------|-------|-------|------|------|------|---------|------|------|------|------|---------|------|------|------|
| | | 10 | 8 | 5 | 3 | 2 | 1.5 | 1 | 30 | 20 | 15 | 10 | 5 | 60 | 30 | 5 | 1 |
| KBM 12 P | 12 | 1.19 | 1.48 | 2.34 | 3.79 | 5.36 | 6.77 | 8.76 | 11.9 | 14.0 | 15.5 | 17.6 | 21.3 | 30.3 | 34.2 | 40.4 | 44.5 |
| KBM 17 P | 17 | 1.69 | 2.10 | 3.32 | 5.37 | 7.59 | 9.60 | 12.4 | 16.8 | 19.9 | 21.9 | 25.0 | 30.2 | 42.9 | 48.5 | 57.3 | 63.0 |
| KBM 22 P | 22 | 2.19 | 2.71 | 4.29 | 6.95 | 9.82 | 12.4 | 16.1 | 21.8 | 25.7 | 28.4 | 32.3 | 39.1 | 55.5 | 62.7 | 74.1 | 81.5 |
| KBM 28 P | 28 | 2.78 | 3.45 | 5.47 | 8.85 | 12.5 | 15.8 | 20.4 | 27.7 | 32.7 | 36.1 | 41.1 | 49.8 | 70.6 | 79.9 | 94.3 | 104 |
| KBM 35 P | 35 | 3.48 | 4.32 | 6.83 | 11.1 | 15.6 | 19.8 | 25.5 | 34.7 | 40.9 | 45.2 | 51.4 | 62.3 | 88.2 | 99.8 | 118 | 130 |
| KBM 44 P | 44 | 4.37 | 5.42 | 8.59 | 13.9 | 19.6 | 24.8 | 32.1 | 43.6 | 51.4 | 56.8 | 64.6 | 78.3 | 111 | 125 | 148 | 163 |
| KBM 50 P | 50 | 4.96 | 6.16 | 9.75 | 15.8 | 22.3 | 28.2 | 36.6 | 49.2 | 57.5 | 63.0 | 72.0 | 86.0 | 120 | 134 | 158 | 167 |
| KBM 57 P | 57 | 5.65 | 7.02 | 11.1 | 18.0 | 25.5 | 32.2 | 41.8 | 56.1 | 65.6 | 71.8 | 82.1 | 98.0 | 137 | 153 | 180 | 191 |
| KBM 67 P | 67 | 6.64 | 8.25 | 13.1 | 21.1 | 29.9 | 37.8 | 49.1 | 66.0 | 77.1 | 84.4 | 96.5 | 115 | 161 | 179 | 212 | 224 |
| KBM 75 P | 75 | 7.43 | 9.24 | 14.6 | 23.6 | 33.5 | 42.3 | 55.0 | 73.9 | 86.3 | 94.5 | 108 | 129 | 180 | 201 | 237 | 251 |
| KBM 90 P | 90 | 8.92 | 11.1 | 17.5 | 28.4 | 40.2 | 50.8 | 66.0 | 88.6 | 104 | 113 | 130 | 155 | 216 | 241 | 284 | 301 |
| KBM 95 P | 95 | 9.42 | 11.7 | 18.5 | 29.9 | 42.4 | 53.6 | 69.6 | 93.5 | 109 | 120 | 137 | 163 | 228 | 254 | 300 | 318 |
| KBM 100 P | 100 | 9.91 | 12.3 | 19.5 | 31.5 | 44.7 | 56.4 | 73.3 | 98.5 | 115 | 126 | 144 | 172 | 240 | 268 | 316 | 335 |
| KBM 112 P | 112 | 11.1 | 13.8 | 21.8 | 35.3 | 50.0 | 63.2 | 82.1 | 110 | 129 | 141 | 161 | 193 | 269 | 300 | 354 | 375 |
| KBM 118 P | 118 | 11.7 | 14.5 | 23.0 | 37.2 | 52.7 | 66.6 | 86.5 | 116 | 136 | 149 | 170 | 203 | 283 | 316 | 373 | 395 |
| KBM 128 P | 128 | 12.7 | 15.8 | 24.96 | 40.35 | 57.2 | 72.2 | 93.8 | 126 | 147 | 161 | 184 | 220 | 307 | 343 | 405 | 428 |
| KBM 138 P | 138 | 13.7 | 17.0 | 26.9 | 43.5 | 61.6 | 77.9 | 101 | 136 | 159 | 174 | 199 | 237 | 331 | 369 | 436 | 462 |
| KBM 150 P | 150 | 14.9 | 18.5 | 29.2 | 47.3 | 67.0 | 84.6 | 110 | 148 | 173 | 189 | 216 | 258 | 360 | 402 | 474 | 502 |
| KBM 161 P | 161 | 16.0 | 19.8 | 31.4 | 50.8 | 71.9 | 90.8 | 118 | 159 | 185 | 203 | 232 | 277 | 386 | 431 | 509 | 539 |
| KBM 170 P | 170 | 16.8 | 20.9 | 33.1 | 53.6 | 75.9 | 95.9 | 125 | 167 | 196 | 214 | 245 | 292 | 408 | 455 | 537 | 569 |
| KBM 184 P | 184 | 18.2 | 22.7 | 35.9 | 58.0 | 82.2 | 104 | 135 | 181 | 212 | 232 | 265 | 316 | 441 | 493 | 581 | 616 |
| KBM 193 P | 193 | 19.1 | 23.8 | 37.6 | 60.8 | 86.2 | 109 | 141 | 190 | 222 | 243 | 278 | 332 | 463 | 517 | 610 | 646 |
| KBM 200 P | 200 | 19.8 | 24.6 | 39.0 | 63.0 | 89.3 | 113 | 147 | 197 | 230 | 252 | 288 | 344 | 479 | 535 | 632 | 670 |
| KBM 208 P | 208 | 20.6 | 25.6 | 40.6 | 65.6 | 92.9 | 117 | 152 | 205 | 239 | 262 | 300 | 358 | 499 | 557 | 657 | 696 |
| KBM 218 P | 218 | 21.6 | 26.9 | 42.5 | 68.7 | 97.3 | 123 | 160 | 215 | 251 | 275 | 314 | 375 | 523 | 584 | 689 | 730 |
| KBM 231 P | 231 | 22.9 | 28.5 | 45.0 | 72.8 | 103 | 130 | 169 | 227 | 266 | 291 | 333 | 397 | 554 | 618 | 730 | 773 |
| KBM 241 P | 241 | 23.9 | 29.7 | 47.0 | 76.0 | 108 | 136 | 177 | 237 | 277 | 304 | 347 | 414 | 578 | 645 | 762 | 807 |
| KBM 250 P | 250 | 24.8 | 30.8 | 48.7 | 78.8 | 112 | 141 | 183 | 246 | 288 | 315 | 360 | 430 | 599 | 669 | 790 | 837 |
| KBM 260 P | 260 | 25.8 | 32.0 | 50.7 | 82.0 | 116 | 147 | 191 | 256 | 299 | 328 | 374 | 447 | 623 | 696 | 822 | 870 |
| KBM 277 P | 277 | 27.5 | 34.1 | 54.0 | 87.3 | 124 | 156 | 203 | 273 | 319 | 349 | 399 | 476 | 664 | 742 | 875 | 927 |
| KBM 300 P | 300 | 29.7 | 37.0 | 58.5 | 94.6 | 134 | 169 | 220 | 295 | 345 | 378 | 432 | 516 | 719 | 803 | 948 | 1004 |
| KBM 323 P | 323 | 32.0 | 39.8 | 63.0 | 102 | 144 | 182 | 237 | 318 | 372 | 407 | 465 | 555 | 774 | 865 | 1021 | 1081 |
| KBM 346 P | 346 | 34.3 | 42.6 | 67.5 | 109 | 154 | 195 | 254 | 341 | 398 | 436 | 498 | 595 | 829 | 926 | 1093 | 1158 |
| KBM 369 P | 369 | 36.6 | 45.5 | 72.0 | 116 | 165 | 208 | 270 | 363 | 425 | 465 | 531 | 635 | 885 | 988 | 1166 | 1235 |
| KBM 390 P | 390 | 38.7 | 48.0 | 76.0 | 123 | 174 | 220 | 286 | 384 | 449 | 491 | 562 | 671 | 935 | 1044 | 1232 | 1306 |
| KBM 400 P | 400 | 39.6 | 49.3 | 78.0 | 126 | 179 | 226 | 293 | 394 | 460 | 504 | 576 | 688 | 959 | 1071 | 1264 | 1339 |
| KBM 415 P | 415 | 41.1 | 51.1 | 80.9 | 131 | 185 | 234 | 304 | 409 | 477 | 523 | 598 | 714 | 995 | 1111 | 1311 | 1389 |
| KBM 438 P | 438 | 43.4 | 54.0 | 85.4 | 138 | 196 | 247 | 321 | 431 | 504 | 552 | 631 | 753 | 1050 | 1173 | 1384 | 1466 |
| KBM 461 P | 461 | 45.7 | 56.8 | 89.9 | 145 | 206 | 260 | 338 | 454 | 530 | 581 | 664 | 793 | 1105 | 1234 | 1457 | 1543 |
| KBM 485 P | 485 | 48.1 | 59.7 | 94.6 | 153 | 217 | 274 | 355 | 478 | 558 | 611 | 698 | 834 | 1163 | 1298 | 1533 | 1624 |

Performance data of KBM range in Amperes

After fully charged with constant current charging at +20°C ±5°C (+68°F ± 9°F)

Final Cell Voltage: 1.10 V

| Cell Type | C ₅ Ah | Hours | | | | | | | Minutes | | | | | Seconds | | | |
|------------|-------------------|-------|------|------|-----|-----|-----|------|---------|------|------|------|------|---------|------|------|------|
| | | 10 | 8 | 5 | 3 | 2 | 1.5 | 1 | 30 | 20 | 15 | 10 | 5 | 60 | 30 | 5 | 1 |
| KBM 505 P | 505 | 50.0 | 62.2 | 98.5 | 159 | 225 | 285 | 370 | 497 | 581 | 636 | 727 | 869 | 1211 | 1352 | 1596 | 1691 |
| KBM 525 P | 525 | 52.0 | 64.7 | 102 | 166 | 234 | 296 | 385 | 517 | 604 | 662 | 756 | 903 | 1259 | 1406 | 1659 | 1758 |
| KBM 555 P | 555 | 55.0 | 68.4 | 108 | 175 | 248 | 313 | 407 | 547 | 639 | 699 | 799 | 954 | 1331 | 1486 | 1754 | 1858 |
| KBM 580 P | 580 | 57.5 | 71.4 | 113 | 183 | 259 | 327 | 425 | 571 | 667 | 731 | 835 | 997 | 1390 | 1553 | 1833 | 1942 |
| KBM 600 P | 600 | 59.5 | 73.9 | 117 | 189 | 268 | 339 | 440 | 591 | 690 | 756 | 864 | 1032 | 1438 | 1606 | 1896 | 2009 |
| KBM 625 P | 625 | 61.9 | 77.0 | 122 | 197 | 279 | 353 | 458 | 615 | 719 | 788 | 900 | 1075 | 1498 | 1673 | 1975 | 2092 |
| KBM 650 P | 650 | 64.4 | 80.1 | 127 | 205 | 290 | 367 | 476 | 640 | 748 | 819 | 936 | 1118 | 1558 | 1740 | 2054 | 2176 |
| KBM 675 P | 675 | 66.9 | 83.1 | 132 | 213 | 301 | 381 | 495 | 665 | 777 | 851 | 972 | 1161 | 1618 | 1807 | 2133 | 2260 |
| KBM 690 P | 690 | 68.4 | 85.0 | 135 | 218 | 308 | 389 | 506 | 679 | 794 | 870 | 994 | 1187 | 1654 | 1847 | 2181 | 2310 |
| KBM 723 P | 723 | 71.7 | 89.1 | 141 | 228 | 323 | 408 | 530 | 712 | 832 | 911 | 1041 | 1243 | 1733 | 1936 | 2285 | 2420 |
| KBM 740 P | 740 | 73.3 | 91.2 | 144 | 233 | 330 | 418 | 542 | 729 | 851 | 933 | 1066 | 1273 | 1774 | 1981 | 2339 | 2477 |
| KBM 770 P | 770 | 76.3 | 94.9 | 150 | 243 | 344 | 434 | 564 | 758 | 886 | 970 | 1109 | 1324 | 1846 | 2061 | 2433 | 2578 |
| KBM 790 P | 790 | 78.3 | 97.3 | 154 | 249 | 353 | 446 | 579 | 778 | 909 | 996 | 1138 | 1359 | 1894 | 2115 | 2497 | 2645 |
| KBM 805 P | 805 | 79.8 | 99.2 | 157 | 254 | 359 | 454 | 590 | 793 | 926 | 1014 | 1159 | 1384 | 1930 | 2155 | 2544 | 2695 |
| KBM 830 P | 830 | 82.3 | 102 | 162 | 262 | 371 | 468 | 608 | 817 | 955 | 1046 | 1195 | 1427 | 1990 | 2222 | 2623 | 2779 |
| KBM 865 P | 865 | 85.7 | 107 | 169 | 273 | 386 | 488 | 634 | 852 | 995 | 1090 | 1246 | 1488 | 2074 | 2316 | 2734 | 2896 |
| KBM 890 P | 890 | 88.2 | 110 | 174 | 281 | 397 | 502 | 652 | 876 | 1024 | 1122 | 1282 | 1531 | 2134 | 2383 | 2813 | 2979 |
| KBM 920 P | 920 | 91.2 | 113 | 179 | 290 | 411 | 519 | 674 | 906 | 1059 | 1159 | 1325 | 1582 | 2206 | 2463 | 2907 | 3080 |
| KBM 940 P | 940 | 93.2 | 116 | 183 | 296 | 420 | 530 | 689 | 926 | 1082 | 1185 | 1354 | 1617 | 2254 | 2517 | 2971 | 3147 |
| KBM 965 P | 965 | 95.6 | 119 | 188 | 304 | 431 | 544 | 707 | 950 | 1110 | 1216 | 1390 | 1660 | 2313 | 2584 | 3050 | 3230 |
| KBM 1000 P | 1000 | 99.1 | 123 | 195 | 315 | 447 | 564 | 733 | 985 | 1151 | 1260 | 1440 | 1720 | 2397 | 2677 | 3160 | 3348 |
| KBM 1040 P | 1040 | 103 | 128 | 203 | 328 | 464 | 587 | 762 | 1024 | 1197 | 1311 | 1498 | 1789 | 2493 | 2784 | 3287 | 3482 |
| KBM 1080 P | 1080 | 107 | 133 | 211 | 340 | 482 | 609 | 792 | 1063 | 1243 | 1361 | 1555 | 1857 | 2589 | 2891 | 3413 | 3615 |
| KBM 1100 P | 1100 | 109 | 136 | 214 | 347 | 491 | 621 | 806 | 1083 | 1266 | 1386 | 1584 | 1892 | 2637 | 2945 | 3476 | 3682 |
| KBM 1150 P | 1150 | 114 | 142 | 224 | 363 | 513 | 649 | 843 | 1132 | 1323 | 1449 | 1656 | 1978 | 2757 | 3079 | 3634 | 3850 |
| KBM 1180 P | 1180 | 117 | 145 | 230 | 372 | 527 | 666 | 865 | 1162 | 1358 | 1487 | 1699 | 2029 | 2829 | 3159 | 3729 | 3950 |
| KBM 1220 P | 1220 | 121 | 150 | 238 | 385 | 545 | 688 | 894 | 1201 | 1404 | 1537 | 1757 | 2098 | 2925 | 3266 | 3855 | 4084 |
| KBM 1270 P | 1270 | 126 | 156 | 248 | 400 | 567 | 717 | 931 | 1251 | 1461 | 1601 | 1829 | 2184 | 3045 | 3400 | 4013 | 4251 |
| KBM 1320 P | 1320 | 131 | 163 | 257 | 416 | 589 | 745 | 967 | 1300 | 1519 | 1664 | 1901 | 2270 | 3165 | 3534 | 4171 | 4419 |
| KBM 1390 P | 1390 | 138 | 171 | 271 | 438 | 621 | 784 | 1019 | 1369 | 1599 | 1752 | 2001 | 2391 | 3332 | 3721 | 4393 | 4653 |
| KBM 1445 P | 1445 | 143 | 178 | 282 | 456 | 645 | 815 | 1059 | 1423 | 1663 | 1821 | 2081 | 2485 | 3464 | 3869 | 4566 | 4837 |
| KBM 1460 P | 1460 | 145 | 180 | 285 | 460 | 652 | 824 | 1070 | 1438 | 1680 | 1840 | 2102 | 2511 | 3500 | 3909 | 4614 | 4888 |

Performance data of KBMrange in Amperes

After fully charged with constant current charging at +20°C ±5°C (+68°F ± 9°F)

Final Cell Voltage: 1.05 V

| Cell Type | C ₅ Ah | Hours | | | | | | | Minutes | | | | | Seconds | | | |
|-----------|-------------------|-------|------|-------|-------|------|------|------|---------|------|------|------|------|---------|------|------|------|
| | | 10 | 8 | 5 | 3 | 2 | 1.5 | 1 | 30 | 20 | 15 | 10 | 5 | 60 | 30 | 5 | 1 |
| KBM 12 P | 12 | 1.21 | 1.50 | 2.38 | 3.88 | 5.60 | 7.20 | 9.83 | 13.9 | 16.2 | 17.9 | 20.6 | 25.1 | 35.5 | 40.1 | 48.5 | 51.8 |
| KBM 17 P | 17 | 1.71 | 2.13 | 3.37 | 5.49 | 7.94 | 10.2 | 13.9 | 19.7 | 23.0 | 25.3 | 29.2 | 35.5 | 50.3 | 56.8 | 68.7 | 73.4 |
| KBM 22 P | 22 | 2.22 | 2.75 | 4.36 | 7.11 | 10.3 | 13.2 | 18.0 | 25.5 | 29.7 | 32.8 | 37.8 | 46.0 | 65.1 | 73.5 | 88.9 | 95.0 |
| KBM 28 P | 28 | 2.82 | 3.51 | 5.55 | 9.05 | 13.1 | 16.8 | 22.9 | 32.5 | 37.9 | 41.7 | 48.1 | 58.5 | 82.9 | 93.5 | 113 | 121 |
| KBM 35 P | 35 | 3.52 | 4.38 | 6.93 | 11.3 | 16.3 | 21.0 | 28.7 | 40.6 | 47.3 | 52.2 | 60.1 | 73.2 | 104 | 117 | 141 | 151 |
| KBM 44 P | 44 | 4.43 | 5.51 | 8.72 | 14.2 | 20.5 | 26.4 | 36.0 | 51.0 | 59.5 | 65.6 | 75.6 | 92.0 | 130 | 147 | 178 | 190 |
| KBM 50 P | 50 | 5.05 | 6.25 | 9.91 | 16.2 | 23.4 | 30.0 | 41.0 | 57.5 | 67.1 | 73.9 | 83.9 | 101 | 140 | 158 | 186 | 200 |
| KBM 57 P | 57 | 5.75 | 7.13 | 11.3 | 18.4 | 26.7 | 34.2 | 46.7 | 65.6 | 76.5 | 84.3 | 95.6 | 115 | 160 | 180 | 212 | 228 |
| KBM 67 P | 67 | 6.76 | 8.38 | 13.3 | 21.7 | 31.3 | 40.2 | 54.9 | 77.1 | 89.9 | 99.0 | 112 | 135 | 188 | 211 | 249 | 268 |
| KBM 75 P | 75 | 7.57 | 9.38 | 14.9 | 24.2 | 35.1 | 45.0 | 61.5 | 86.3 | 101 | 111 | 126 | 151 | 210 | 236 | 279 | 300 |
| KBM 90 P | 90 | 9.08 | 11.3 | 17.8 | 29.1 | 42.1 | 54.0 | 73.8 | 104 | 121 | 133 | 151 | 182 | 252 | 284 | 335 | 360 |
| KBM 95 P | 95 | 9.59 | 11.9 | 18.8 | 30.7 | 44.5 | 57.0 | 77.9 | 109 | 127 | 140 | 159 | 192 | 266 | 299 | 353 | 380 |
| KBM 100 P | 100 | 10.1 | 12.5 | 19.8 | 32.3 | 46.8 | 60.0 | 82.0 | 115 | 134 | 148 | 168 | 202 | 280 | 315 | 372 | 400 |
| KBM 112 P | 112 | 11.3 | 14.0 | 22.2 | 36.2 | 52.4 | 67.2 | 91.8 | 129 | 150 | 166 | 188 | 226 | 314 | 353 | 416 | 448 |
| KBM 118 P | 118 | 11.9 | 14.8 | 23.4 | 38.1 | 55.2 | 70.8 | 96.7 | 136 | 158 | 174 | 198 | 238 | 330 | 372 | 439 | 472 |
| KBM 128 P | 128 | 12.9 | 16.0 | 25.36 | 41.37 | 59.9 | 76.8 | 105 | 147 | 172 | 189 | 215 | 258 | 358 | 403 | 476 | 512 |
| KBM 138 P | 138 | 13.9 | 17.3 | 27.3 | 44.6 | 64.6 | 82.8 | 113 | 159 | 185 | 204 | 231 | 278 | 386 | 435 | 513 | 552 |
| KBM 150 P | 150 | 15.1 | 18.8 | 29.7 | 48.5 | 70.2 | 90.0 | 123 | 173 | 201 | 222 | 252 | 303 | 420 | 473 | 558 | 600 |
| KBM 161 P | 161 | 16.2 | 20.1 | 31.9 | 52.0 | 75.3 | 96.6 | 132 | 185 | 216 | 238 | 270 | 325 | 451 | 507 | 599 | 644 |
| KBM 170 P | 170 | 17.2 | 21.3 | 33.7 | 54.9 | 79.5 | 102 | 139 | 196 | 228 | 251 | 285 | 343 | 476 | 536 | 632 | 680 |
| KBM 184 P | 184 | 18.6 | 23.0 | 36.5 | 59.5 | 86.1 | 110 | 151 | 212 | 247 | 272 | 309 | 371 | 515 | 580 | 684 | 736 |
| KBM 193 P | 193 | 19.5 | 24.1 | 38.2 | 62.4 | 90.3 | 116 | 158 | 222 | 259 | 285 | 324 | 389 | 540 | 608 | 718 | 772 |
| KBM 200 P | 200 | 20.2 | 25.0 | 39.6 | 64.6 | 93.6 | 120 | 164 | 230 | 268 | 296 | 335 | 404 | 560 | 630 | 744 | 800 |
| KBM 208 P | 208 | 21.0 | 26.0 | 41.2 | 67.2 | 97.3 | 125 | 171 | 239 | 279 | 307 | 349 | 420 | 582 | 655 | 773 | 832 |
| KBM 218 P | 218 | 22.0 | 27.3 | 43.2 | 70.5 | 102 | 131 | 179 | 251 | 292 | 322 | 366 | 440 | 610 | 687 | 811 | 872 |
| KBM 231 P | 231 | 23.3 | 28.9 | 45.8 | 74.7 | 108 | 139 | 189 | 266 | 310 | 341 | 387 | 466 | 647 | 728 | 859 | 924 |
| KBM 241 P | 241 | 24.3 | 30.1 | 47.8 | 77.9 | 113 | 145 | 198 | 277 | 323 | 356 | 404 | 486 | 675 | 759 | 896 | 964 |
| KBM 250 P | 250 | 25.2 | 31.3 | 49.5 | 80.8 | 117 | 150 | 205 | 288 | 335 | 370 | 419 | 504 | 700 | 788 | 930 | 1000 |
| KBM 260 P | 260 | 26.2 | 32.5 | 51.5 | 84.0 | 122 | 156 | 213 | 299 | 349 | 384 | 436 | 525 | 728 | 819 | 967 | 1040 |
| KBM 277 P | 277 | 28.0 | 34.7 | 54.9 | 89.5 | 130 | 166 | 227 | 319 | 372 | 409 | 465 | 559 | 775 | 873 | 1030 | 1108 |
| KBM 300 P | 300 | 30.3 | 37.5 | 59.4 | 97.0 | 140 | 180 | 246 | 345 | 402 | 443 | 503 | 605 | 840 | 945 | 1116 | 1200 |
| KBM 323 P | 323 | 32.6 | 40.4 | 64.0 | 104 | 151 | 194 | 265 | 372 | 433 | 477 | 542 | 652 | 904 | 1018 | 1201 | 1292 |
| KBM 346 P | 346 | 34.9 | 43.3 | 68.6 | 112 | 162 | 208 | 284 | 398 | 464 | 511 | 580 | 698 | 969 | 1090 | 1287 | 1384 |
| KBM 369 P | 369 | 37.2 | 46.2 | 73.1 | 119 | 173 | 221 | 303 | 425 | 495 | 546 | 619 | 745 | 1033 | 1163 | 1372 | 1476 |
| KBM 390 P | 390 | 39.4 | 48.8 | 77.3 | 126 | 182 | 234 | 320 | 449 | 523 | 577 | 654 | 787 | 1092 | 1229 | 1450 | 1560 |
| KBM 400 P | 400 | 40.4 | 50.0 | 79.3 | 129 | 187 | 240 | 328 | 460 | 537 | 591 | 671 | 807 | 1120 | 1260 | 1487 | 1600 |
| KBM 415 P | 415 | 41.9 | 51.9 | 82.2 | 134 | 194 | 249 | 340 | 477 | 557 | 614 | 696 | 837 | 1162 | 1307 | 1543 | 1660 |
| KBM 438 P | 438 | 44.2 | 54.8 | 86.8 | 142 | 205 | 263 | 359 | 504 | 588 | 648 | 735 | 884 | 1226 | 1380 | 1629 | 1752 |
| KBM 461 P | 461 | 46.5 | 57.7 | 91.3 | 149 | 216 | 277 | 378 | 530 | 618 | 682 | 773 | 930 | 1291 | 1452 | 1714 | 1844 |
| KBM 485 P | 485 | 48.9 | 60.7 | 96.1 | 157 | 227 | 291 | 398 | 558 | 651 | 717 | 813 | 979 | 1358 | 1528 | 1803 | 1940 |

Performance data of KBM range in Amperes

After fully charged with constant current charging at +20°C ±5°C (+68°F ± 9°F)

Final Cell Voltage: 1.05 V

| Cell Type | C ₅ Ah | Hours | | | | | | | Minutes | | | | | Seconds | | | |
|------------|-------------------|-------|------|-----|-----|-----|-----|------|---------|------|------|------|------|---------|------|------|------|
| | | 10 | 8 | 5 | 3 | 2 | 1.5 | 1 | 30 | 20 | 15 | 10 | 5 | 60 | 30 | 5 | 1 |
| KBM 505 P | 505 | 51.0 | 63.2 | 100 | 163 | 236 | 303 | 414 | 581 | 677 | 747 | 847 | 1019 | 1414 | 1591 | 1878 | 2020 |
| KBM 525 P | 525 | 53.0 | 65.7 | 104 | 170 | 246 | 315 | 430 | 604 | 704 | 776 | 881 | 1059 | 1470 | 1654 | 1952 | 2100 |
| KBM 555 P | 555 | 56.0 | 69.4 | 110 | 179 | 260 | 333 | 455 | 639 | 745 | 820 | 931 | 1120 | 1554 | 1749 | 2064 | 2220 |
| KBM 580 P | 580 | 58.5 | 72.6 | 115 | 187 | 271 | 348 | 476 | 667 | 778 | 857 | 973 | 1170 | 1624 | 1827 | 2157 | 2320 |
| KBM 600 P | 600 | 60.5 | 75.1 | 119 | 194 | 281 | 360 | 492 | 690 | 805 | 887 | 1006 | 1211 | 1680 | 1890 | 2231 | 2400 |
| KBM 625 P | 625 | 63.1 | 78.2 | 124 | 202 | 292 | 375 | 512 | 719 | 838 | 924 | 1048 | 1261 | 1750 | 1969 | 2324 | 2500 |
| KBM 650 P | 650 | 65.6 | 81.3 | 129 | 210 | 304 | 390 | 533 | 748 | 872 | 961 | 1090 | 1312 | 1820 | 2048 | 2417 | 2600 |
| KBM 675 P | 675 | 68.1 | 84.4 | 134 | 218 | 316 | 405 | 553 | 777 | 906 | 998 | 1132 | 1362 | 1890 | 2127 | 2510 | 2700 |
| KBM 690 P | 690 | 69.6 | 86.3 | 137 | 223 | 323 | 414 | 566 | 794 | 926 | 1020 | 1157 | 1392 | 1932 | 2174 | 2566 | 2760 |
| KBM 723 P | 723 | 73.0 | 90.4 | 143 | 234 | 338 | 434 | 593 | 832 | 970 | 1069 | 1213 | 1459 | 2024 | 2278 | 2688 | 2892 |
| KBM 740 P | 740 | 74.7 | 92.6 | 147 | 239 | 346 | 444 | 607 | 851 | 993 | 1094 | 1241 | 1493 | 2072 | 2331 | 2752 | 2960 |
| KBM 770 P | 770 | 77.7 | 96.3 | 153 | 249 | 360 | 462 | 631 | 886 | 1033 | 1138 | 1291 | 1554 | 2156 | 2426 | 2863 | 3080 |
| KBM 790 P | 790 | 79.7 | 98.8 | 157 | 255 | 370 | 474 | 648 | 909 | 1060 | 1168 | 1325 | 1594 | 2212 | 2489 | 2938 | 3160 |
| KBM 805 P | 805 | 81.2 | 101 | 160 | 260 | 377 | 483 | 660 | 926 | 1080 | 1190 | 1350 | 1624 | 2254 | 2536 | 2993 | 3220 |
| KBM 830 P | 830 | 83.8 | 104 | 164 | 268 | 388 | 498 | 680 | 955 | 1113 | 1227 | 1392 | 1675 | 2324 | 2615 | 3086 | 3320 |
| KBM 865 P | 865 | 87.3 | 108 | 171 | 280 | 405 | 519 | 709 | 995 | 1160 | 1279 | 1451 | 1745 | 2422 | 2725 | 3216 | 3460 |
| KBM 890 P | 890 | 89.8 | 111 | 176 | 288 | 416 | 534 | 730 | 1024 | 1194 | 1316 | 1493 | 1796 | 2492 | 2804 | 3309 | 3560 |
| KBM 920 P | 920 | 92.8 | 115 | 182 | 297 | 430 | 552 | 754 | 1059 | 1234 | 1360 | 1543 | 1856 | 2576 | 2899 | 3421 | 3680 |
| KBM 940 P | 940 | 94.9 | 118 | 186 | 304 | 440 | 564 | 771 | 1082 | 1261 | 1390 | 1577 | 1897 | 2632 | 2962 | 3495 | 3760 |
| KBM 965 P | 965 | 97.4 | 121 | 191 | 312 | 452 | 579 | 791 | 1110 | 1295 | 1427 | 1619 | 1947 | 2702 | 3040 | 3588 | 3860 |
| KBM 1000 P | 1000 | 101 | 125 | 198 | 323 | 468 | 600 | 820 | 1151 | 1342 | 1478 | 1677 | 2018 | 2800 | 3151 | 3718 | 4000 |
| KBM 1040 P | 1040 | 105 | 130 | 206 | 336 | 487 | 624 | 853 | 1197 | 1395 | 1537 | 1744 | 2098 | 2912 | 3277 | 3867 | 4160 |
| KBM 1080 P | 1080 | 109 | 135 | 214 | 349 | 505 | 648 | 885 | 1243 | 1449 | 1597 | 1811 | 2179 | 3023 | 3403 | 4016 | 4320 |
| KBM 1100 P | 1100 | 111 | 138 | 218 | 355 | 515 | 660 | 902 | 1266 | 1476 | 1626 | 1845 | 2219 | 3079 | 3466 | 4090 | 4400 |
| KBM 1150 P | 1150 | 116 | 144 | 228 | 372 | 538 | 690 | 943 | 1323 | 1543 | 1700 | 1929 | 2320 | 3219 | 3623 | 4276 | 4600 |
| KBM 1180 P | 1180 | 119 | 148 | 234 | 381 | 552 | 708 | 967 | 1358 | 1583 | 1744 | 1979 | 2381 | 3303 | 3718 | 4388 | 4720 |
| KBM 1220 P | 1220 | 123 | 153 | 242 | 394 | 571 | 732 | 1000 | 1404 | 1637 | 1804 | 2046 | 2462 | 3415 | 3844 | 4536 | 4880 |
| KBM 1270 P | 1270 | 128 | 159 | 252 | 410 | 594 | 762 | 1041 | 1461 | 1704 | 1877 | 2130 | 2562 | 3555 | 4001 | 4722 | 5080 |
| KBM 1320 P | 1320 | 133 | 165 | 262 | 427 | 618 | 792 | 1082 | 1519 | 1771 | 1951 | 2214 | 2663 | 3695 | 4159 | 4908 | 5280 |
| KBM 1390 P | 1390 | 140 | 174 | 275 | 449 | 650 | 834 | 1140 | 1599 | 1865 | 2055 | 2331 | 2805 | 3891 | 4379 | 5169 | 5560 |
| KBM 1445 P | 1445 | 146 | 181 | 286 | 467 | 676 | 867 | 1185 | 1663 | 1938 | 2136 | 2424 | 2916 | 4045 | 4553 | 5373 | 5780 |
| KBM 1460 P | 1460 | 147 | 183 | 289 | 472 | 683 | 876 | 1197 | 1680 | 1959 | 2158 | 2449 | 2946 | 4087 | 4600 | 5429 | 5840 |

Performance data of KBM range in Amperes

After fully charged with constant current charging at +20°C ±5°C (+68°F ± 9°F)

Final Cell Voltage: 1.00 V

| Cell Type | C ₅ Ah | Hours | | | | | | | Minutes | | | | | Seconds | | | |
|-----------|-------------------|-------|------|-------|-------|------|------|------|---------|------|------|------|------|---------|------|------|------|
| | | 10 | 8 | 5 | 3 | 2 | 1.5 | 1 | 30 | 20 | 15 | 10 | 5 | 60 | 30 | 5 | 1 |
| KBM 12 P | 12 | 1.22 | 1.51 | 2.40 | 3.93 | 5.75 | 7.44 | 10.3 | 15.6 | 18.3 | 20.3 | 23.3 | 28.4 | 40.1 | 46.7 | 55.5 | 59.2 |
| KBM 17 P | 17 | 1.73 | 2.14 | 3.40 | 5.56 | 8.14 | 10.5 | 14.6 | 22.1 | 25.9 | 28.7 | 33.0 | 40.3 | 56.8 | 66.1 | 78.6 | 83.8 |
| KBM 22 P | 22 | 2.23 | 2.77 | 4.40 | 7.20 | 10.5 | 13.6 | 18.9 | 28.6 | 33.5 | 37.2 | 42.6 | 52.1 | 73.5 | 85.6 | 102 | 108 |
| KBM 28 P | 28 | 2.84 | 3.53 | 5.60 | 9.16 | 13.4 | 17.4 | 24.1 | 36.4 | 42.6 | 47.3 | 54.3 | 66.3 | 93.5 | 109 | 129 | 138 |
| KBM 35 P | 35 | 3.55 | 4.41 | 7.00 | 11.4 | 16.8 | 21.7 | 30.1 | 45.5 | 53.2 | 59.2 | 67.8 | 82.9 | 117 | 136 | 162 | 173 |
| KBM 44 P | 44 | 4.47 | 5.55 | 8.80 | 14.4 | 21.1 | 27.3 | 37.8 | 57.2 | 66.9 | 74.4 | 85.3 | 104 | 147 | 171 | 203 | 217 |
| KBM 50 P | 50 | 5.09 | 6.30 | 10.0 | 16.4 | 23.9 | 31.0 | 43.0 | 64.6 | 75.5 | 83.5 | 95.7 | 115 | 161 | 181 | 216 | 228 |
| KBM 57 P | 57 | 5.80 | 7.18 | 11.4 | 18.7 | 27.2 | 35.3 | 49.0 | 73.6 | 86.0 | 95.2 | 109 | 132 | 183 | 206 | 246 | 260 |
| KBM 67 P | 67 | 6.82 | 8.44 | 13.4 | 21.9 | 32.0 | 41.5 | 57.6 | 86.5 | 101 | 112 | 128 | 155 | 216 | 242 | 289 | 306 |
| KBM 75 P | 75 | 7.64 | 9.45 | 15.0 | 24.5 | 35.9 | 46.5 | 64.5 | 96.9 | 113 | 125 | 144 | 173 | 241 | 271 | 324 | 342 |
| KBM 90 P | 90 | 9.16 | 11.3 | 18.0 | 29.4 | 43.0 | 55.8 | 77.4 | 116 | 136 | 150 | 172 | 208 | 290 | 325 | 388 | 410 |
| KBM 95 P | 95 | 9.67 | 12.0 | 19.0 | 31.1 | 45.4 | 58.9 | 81.7 | 123 | 143 | 159 | 182 | 219 | 306 | 343 | 410 | 433 |
| KBM 100 P | 100 | 10.2 | 12.6 | 20.0 | 32.7 | 47.8 | 62.0 | 86.0 | 129 | 151 | 167 | 191 | 231 | 322 | 362 | 432 | 456 |
| KBM 112 P | 112 | 11.4 | 14.1 | 22.4 | 36.6 | 53.5 | 69.4 | 96.3 | 145 | 169 | 187 | 214 | 259 | 360 | 405 | 483 | 511 |
| KBM 118 P | 118 | 12.0 | 14.9 | 23.6 | 38.6 | 56.4 | 73.2 | 101 | 152 | 178 | 197 | 226 | 273 | 380 | 427 | 509 | 538 |
| KBM 128 P | 128 | 13.0 | 16.1 | 25.60 | 41.88 | 61.2 | 79.4 | 110 | 165 | 193 | 214 | 245 | 296 | 412 | 463 | 552 | 584 |
| KBM 138 P | 138 | 14.1 | 17.4 | 27.6 | 45.2 | 66.0 | 85.6 | 119 | 178 | 208 | 231 | 264 | 319 | 444 | 499 | 595 | 629 |
| KBM 150 P | 150 | 15.3 | 18.9 | 30.0 | 49.1 | 71.7 | 93.0 | 129 | 194 | 226 | 251 | 287 | 346 | 483 | 542 | 647 | 684 |
| KBM 161 P | 161 | 16.4 | 20.3 | 32.2 | 52.7 | 77.0 | 99.8 | 138 | 208 | 243 | 269 | 308 | 372 | 518 | 582 | 695 | 734 |
| KBM 170 P | 170 | 17.3 | 21.4 | 34.0 | 55.6 | 81.3 | 105 | 146 | 220 | 257 | 284 | 325 | 393 | 547 | 615 | 734 | 775 |
| KBM 184 P | 184 | 18.7 | 23.2 | 36.8 | 60.2 | 88.0 | 114 | 158 | 238 | 278 | 307 | 352 | 425 | 592 | 665 | 794 | 839 |
| KBM 193 P | 193 | 19.7 | 24.3 | 38.6 | 63.1 | 92.3 | 120 | 166 | 249 | 291 | 322 | 369 | 446 | 621 | 698 | 833 | 880 |
| KBM 200 P | 200 | 20.4 | 25.2 | 40.0 | 65.4 | 95.6 | 124 | 172 | 258 | 302 | 334 | 383 | 462 | 643 | 723 | 863 | 912 |
| KBM 208 P | 208 | 21.2 | 26.2 | 41.6 | 68.1 | 99.4 | 129 | 179 | 269 | 314 | 347 | 398 | 480 | 669 | 752 | 898 | 948 |
| KBM 218 P | 218 | 22.2 | 27.5 | 43.6 | 71.3 | 104 | 135 | 187 | 282 | 329 | 364 | 417 | 504 | 701 | 788 | 941 | 994 |
| KBM 231 P | 231 | 23.5 | 29.1 | 46.2 | 75.6 | 110 | 143 | 199 | 298 | 349 | 386 | 442 | 534 | 743 | 835 | 997 | 1053 |
| KBM 241 P | 241 | 24.5 | 30.4 | 48.2 | 78.9 | 115 | 149 | 207 | 311 | 364 | 403 | 461 | 557 | 775 | 871 | 1040 | 1099 |
| KBM 250 P | 250 | 25.5 | 31.5 | 50.0 | 81.8 | 120 | 155 | 215 | 323 | 377 | 418 | 478 | 577 | 804 | 904 | 1079 | 1140 |
| KBM 260 P | 260 | 26.5 | 32.8 | 52.0 | 85.1 | 124 | 161 | 224 | 336 | 392 | 434 | 498 | 601 | 837 | 940 | 1122 | 1186 |
| KBM 277 P | 277 | 28.2 | 34.9 | 55.4 | 90.6 | 132 | 172 | 238 | 358 | 418 | 463 | 530 | 640 | 891 | 1001 | 1195 | 1263 |
| KBM 300 P | 300 | 30.5 | 37.8 | 60.0 | 98.2 | 143 | 186 | 258 | 388 | 453 | 501 | 574 | 693 | 965 | 1085 | 1295 | 1368 |
| KBM 323 P | 323 | 32.9 | 40.7 | 64.6 | 106 | 154 | 200 | 278 | 417 | 488 | 540 | 618 | 746 | 1039 | 1168 | 1394 | 1473 |
| KBM 346 P | 346 | 35.2 | 43.6 | 69.2 | 113 | 165 | 215 | 298 | 447 | 522 | 578 | 662 | 799 | 1113 | 1251 | 1493 | 1578 |
| KBM 369 P | 369 | 37.6 | 46.5 | 73.8 | 121 | 176 | 229 | 317 | 477 | 557 | 616 | 706 | 852 | 1187 | 1334 | 1592 | 1683 |
| KBM 390 P | 390 | 39.7 | 49.1 | 78.0 | 128 | 186 | 242 | 335 | 504 | 589 | 651 | 746 | 901 | 1255 | 1410 | 1683 | 1778 |
| KBM 400 P | 400 | 40.7 | 50.4 | 80.0 | 131 | 191 | 248 | 344 | 517 | 604 | 668 | 765 | 924 | 1287 | 1446 | 1726 | 1824 |
| KBM 415 P | 415 | 42.3 | 52.3 | 83.0 | 136 | 198 | 257 | 357 | 536 | 626 | 693 | 794 | 959 | 1335 | 1500 | 1791 | 1892 |
| KBM 438 P | 438 | 44.6 | 55.2 | 87.6 | 143 | 209 | 272 | 377 | 566 | 661 | 732 | 838 | 1012 | 1409 | 1584 | 1890 | 1997 |
| KBM 461 P | 461 | 46.9 | 58.1 | 92.2 | 151 | 220 | 286 | 396 | 595 | 696 | 770 | 882 | 1065 | 1483 | 1667 | 1989 | 2102 |
| KBM 485 P | 485 | 49.4 | 61.1 | 97.0 | 159 | 232 | 301 | 417 | 627 | 732 | 810 | 928 | 1120 | 1560 | 1753 | 2093 | 2212 |

Performance data of KBM range in Amperes

After fully charged with constant current charging at +20°C ±5°C (+68°F ± 9°F)

Final Cell Voltage: 1.00 V

| Cell Type | C ₅ Ah | Hours | | | | | | | Minutes | | | | | Seconds | | | |
|------------|-------------------|-------|------|-----|-----|-----|-----|------|---------|------|------|------|------|---------|------|------|------|
| | | 10 | 8 | 5 | 3 | 2 | 1.5 | 1 | 30 | 20 | 15 | 10 | 5 | 60 | 30 | 5 | 1 |
| KBM 505 P | 505 | 51.4 | 63.6 | 101 | 165 | 241 | 313 | 434 | 652 | 762 | 844 | 966 | 1166 | 1625 | 1826 | 2179 | 2303 |
| KBM 525 P | 525 | 53.5 | 66.2 | 105 | 172 | 251 | 326 | 451 | 678 | 792 | 877 | 1005 | 1213 | 1689 | 1898 | 2265 | 2394 |
| KBM 555 P | 555 | 56.5 | 69.9 | 111 | 182 | 265 | 344 | 477 | 717 | 838 | 927 | 1062 | 1282 | 1786 | 2007 | 2395 | 2531 |
| KBM 580 P | 580 | 59.1 | 73.1 | 116 | 190 | 277 | 360 | 499 | 749 | 875 | 969 | 1110 | 1340 | 1866 | 2097 | 2503 | 2645 |
| KBM 600 P | 600 | 61.1 | 75.6 | 120 | 196 | 287 | 372 | 516 | 775 | 906 | 1002 | 1148 | 1386 | 1930 | 2169 | 2589 | 2736 |
| KBM 625 P | 625 | 63.6 | 78.8 | 125 | 204 | 299 | 388 | 537 | 807 | 943 | 1044 | 1196 | 1444 | 2011 | 2260 | 2697 | 2850 |
| KBM 650 P | 650 | 66.2 | 81.9 | 130 | 213 | 311 | 403 | 559 | 840 | 981 | 1086 | 1244 | 1501 | 2091 | 2350 | 2805 | 2964 |
| KBM 675 P | 675 | 68.7 | 85.1 | 135 | 221 | 323 | 419 | 580 | 872 | 1019 | 1128 | 1292 | 1559 | 2172 | 2440 | 2913 | 3078 |
| KBM 690 P | 690 | 70.3 | 87.0 | 138 | 226 | 330 | 428 | 593 | 891 | 1042 | 1153 | 1320 | 1594 | 2220 | 2495 | 2977 | 3146 |
| KBM 723 P | 723 | 73.6 | 91.1 | 145 | 237 | 346 | 448 | 622 | 934 | 1091 | 1208 | 1384 | 1670 | 2326 | 2614 | 3120 | 3297 |
| KBM 740 P | 740 | 75.4 | 93.3 | 148 | 242 | 354 | 459 | 636 | 956 | 1117 | 1236 | 1416 | 1709 | 2381 | 2675 | 3193 | 3374 |
| KBM 770 P | 770 | 78.4 | 97.0 | 154 | 252 | 368 | 477 | 662 | 995 | 1162 | 1286 | 1473 | 1779 | 2477 | 2784 | 3323 | 3511 |
| KBM 790 P | 790 | 80.4 | 99.6 | 158 | 258 | 378 | 490 | 679 | 1020 | 1192 | 1320 | 1512 | 1825 | 2542 | 2856 | 3409 | 3602 |
| KBM 805 P | 805 | 82.0 | 101 | 161 | 263 | 385 | 499 | 692 | 1040 | 1215 | 1345 | 1540 | 1859 | 2590 | 2910 | 3474 | 3671 |
| KBM 830 P | 830 | 84.5 | 105 | 166 | 272 | 397 | 515 | 714 | 1072 | 1253 | 1386 | 1588 | 1917 | 2671 | 3001 | 3582 | 3785 |
| KBM 865 P | 865 | 88.1 | 109 | 173 | 283 | 413 | 536 | 744 | 1117 | 1306 | 1445 | 1655 | 1998 | 2783 | 3127 | 3733 | 3944 |
| KBM 890 P | 890 | 90.6 | 112 | 178 | 291 | 425 | 552 | 765 | 1150 | 1343 | 1487 | 1703 | 2056 | 2864 | 3218 | 3840 | 4058 |
| KBM 920 P | 920 | 93.7 | 116 | 184 | 301 | 440 | 570 | 791 | 1188 | 1389 | 1537 | 1760 | 2125 | 2960 | 3326 | 3970 | 4195 |
| KBM 940 P | 940 | 95.7 | 118 | 188 | 308 | 449 | 583 | 808 | 1214 | 1419 | 1570 | 1799 | 2171 | 3024 | 3398 | 4056 | 4286 |
| KBM 965 P | 965 | 98.3 | 122 | 193 | 316 | 461 | 598 | 830 | 1247 | 1457 | 1612 | 1847 | 2229 | 3105 | 3489 | 4164 | 4400 |
| KBM 1000 P | 1000 | 101.8 | 126 | 200 | 327 | 478 | 620 | 860 | 1292 | 1509 | 1670 | 1914 | 2310 | 3217 | 3615 | 4315 | 4560 |
| KBM 1040 P | 1040 | 106 | 131 | 208 | 340 | 497 | 645 | 894 | 1343 | 1570 | 1737 | 1990 | 2402 | 3346 | 3760 | 4488 | 4742 |
| KBM 1080 P | 1080 | 110 | 136 | 216 | 353 | 516 | 670 | 929 | 1395 | 1630 | 1804 | 2067 | 2495 | 3475 | 3905 | 4660 | 4925 |
| KBM 1100 P | 1100 | 112 | 139 | 220 | 360 | 526 | 682 | 946 | 1421 | 1660 | 1837 | 2105 | 2541 | 3539 | 3977 | 4747 | 5016 |
| KBM 1150 P | 1150 | 117 | 145 | 230 | 376 | 550 | 713 | 989 | 1486 | 1736 | 1921 | 2201 | 2656 | 3700 | 4158 | 4962 | 5244 |
| KBM 1180 P | 1180 | 120 | 149 | 236 | 386 | 564 | 732 | 1015 | 1524 | 1781 | 1971 | 2258 | 2726 | 3797 | 4266 | 5092 | 5381 |
| KBM 1220 P | 1220 | 124 | 154 | 244 | 399 | 583 | 756 | 1049 | 1576 | 1842 | 2038 | 2335 | 2818 | 3925 | 4411 | 5264 | 5563 |
| KBM 1270 P | 1270 | 129 | 160 | 254 | 416 | 607 | 787 | 1092 | 1641 | 1917 | 2121 | 2430 | 2933 | 4086 | 4592 | 5480 | 5791 |
| KBM 1320 P | 1320 | 134 | 166 | 264 | 432 | 631 | 818 | 1135 | 1705 | 1992 | 2205 | 2526 | 3049 | 4247 | 4772 | 5696 | 6019 |
| KBM 1390 P | 1390 | 142 | 175 | 278 | 455 | 664 | 862 | 1195 | 1796 | 2098 | 2322 | 2660 | 3211 | 4472 | 5025 | 5998 | 6339 |
| KBM 1445 P | 1445 | 147 | 182 | 289 | 473 | 691 | 896 | 1242 | 1867 | 2181 | 2414 | 2765 | 3338 | 4649 | 5224 | 6235 | 6589 |
| KBM 1460 P | 1460 | 149 | 184 | 292 | 478 | 698 | 905 | 1255 | 1886 | 2204 | 2439 | 2794 | 3372 | 4698 | 5278 | 6300 | 6658 |

Performance data of KBM range in Amperes

After long term float charge of fully charged cells at +20°C ±5°C (+68°F ± 9°F)

Final Cell Voltage: 1.14 V

| Cell Type | C ₅ Ah | Hours | | | | | | | Minutes | | | | | Seconds | | | |
|-----------|-------------------|-------|------|-------|-------|------|------|------|---------|------|------|------|------|---------|------|------|------|
| | | 10 | 8 | 5 | 3 | 2 | 1.5 | 1 | 30 | 20 | 15 | 10 | 5 | 60 | 30 | 5 | 1 |
| KBM 12 P | 12 | 1.16 | 1.44 | 2.26 | 3.46 | 4.47 | 5.16 | 5.83 | 7.20 | 8.16 | 8.84 | 9.95 | 12.5 | 17.6 | 19.8 | 23.0 | 23.8 |
| KBM 17 P | 17 | 1.64 | 2.04 | 3.20 | 4.91 | 6.34 | 7.31 | 8.26 | 10.2 | 11.6 | 12.5 | 14.1 | 17.7 | 24.9 | 28.0 | 32.6 | 33.7 |
| KBM 22 P | 22 | 2.13 | 2.64 | 4.14 | 6.35 | 8.20 | 9.46 | 10.7 | 13.2 | 15.0 | 16.2 | 18.2 | 22.9 | 32.3 | 36.2 | 42.2 | 43.6 |
| KBM 28 P | 28 | 2.71 | 3.36 | 5.27 | 8.08 | 10.4 | 12.0 | 13.6 | 16.8 | 19.0 | 20.6 | 23.2 | 29.1 | 41.1 | 46.1 | 53.7 | 55.5 |
| KBM 35 P | 35 | 3.38 | 4.20 | 6.58 | 10.1 | 13.0 | 15.0 | 17.0 | 21.0 | 23.8 | 25.8 | 29.0 | 36.4 | 51.3 | 57.6 | 67.1 | 69.4 |
| KBM 44 P | 44 | 4.26 | 5.28 | 8.28 | 12.7 | 16.4 | 18.9 | 21.4 | 26.4 | 29.9 | 32.4 | 36.5 | 45.7 | 64.5 | 72.4 | 84.3 | 87.2 |
| KBM 50 P | 50 | 4.84 | 6.00 | 9.42 | 14.5 | 19.0 | 22.1 | 25.5 | 31.5 | 35.4 | 38.1 | 42.9 | 53.6 | 74.9 | 83.0 | 95.9 | 98.8 |
| KBM 57 P | 57 | 5.51 | 6.84 | 10.7 | 16.5 | 21.6 | 25.2 | 29.1 | 35.9 | 40.4 | 43.4 | 48.9 | 61.1 | 85.3 | 94.6 | 109 | 113 |
| KBM 67 P | 67 | 6.48 | 8.04 | 12.6 | 19.4 | 25.4 | 29.7 | 34.2 | 42.2 | 47.5 | 51.1 | 57.5 | 71.8 | 100 | 111 | 129 | 132 |
| KBM 75 P | 75 | 7.25 | 9.00 | 14.1 | 21.7 | 28.4 | 33.2 | 38.3 | 47.3 | 53.1 | 57.2 | 64.4 | 80.4 | 112 | 124 | 144 | 148 |
| KBM 90 P | 90 | 8.70 | 10.8 | 17.0 | 26.1 | 34.1 | 39.8 | 45.9 | 56.7 | 63.8 | 68.6 | 77.3 | 96.4 | 135 | 149 | 173 | 178 |
| KBM 95 P | 95 | 9.19 | 11.4 | 17.9 | 27.5 | 36.0 | 42.1 | 48.5 | 59.9 | 67.3 | 72.4 | 81.5 | 102 | 142 | 158 | 182 | 188 |
| KBM 100 P | 100 | 9.67 | 12.0 | 18.8 | 29.0 | 37.9 | 44.3 | 51.0 | 63.0 | 70.9 | 76.2 | 85.8 | 107 | 150 | 166 | 192 | 198 |
| KBM 112 P | 112 | 10.8 | 13.4 | 21.1 | 32.4 | 42.4 | 49.6 | 57.2 | 70.6 | 79.4 | 85.4 | 96.1 | 120 | 168 | 186 | 215 | 221 |
| KBM 118 P | 118 | 11.4 | 14.2 | 22.2 | 34.2 | 44.7 | 52.2 | 60.2 | 74.3 | 83.6 | 89.9 | 101 | 126 | 177 | 196 | 226 | 233 |
| KBM 128 P | 128 | 12.4 | 15.4 | 24.11 | 37.06 | 48.5 | 56.7 | 65.3 | 80.6 | 90.7 | 97.6 | 110 | 137 | 192 | 212 | 246 | 253 |
| KBM 138 P | 138 | 13.3 | 16.6 | 26.0 | 40.0 | 52.3 | 61.1 | 70.4 | 86.9 | 97.8 | 105 | 118 | 148 | 207 | 229 | 265 | 273 |
| KBM 150 P | 150 | 14.5 | 18.0 | 28.3 | 43.4 | 56.9 | 66.4 | 76.6 | 94.5 | 106 | 114 | 129 | 161 | 225 | 249 | 288 | 297 |
| KBM 161 P | 161 | 15.6 | 19.3 | 30.3 | 46.6 | 61.0 | 71.3 | 82.2 | 101 | 114 | 123 | 138 | 172 | 241 | 267 | 309 | 318 |
| KBM 170 P | 170 | 16.4 | 20.4 | 32.0 | 49.2 | 64.4 | 75.3 | 86.8 | 107 | 120 | 130 | 146 | 182 | 255 | 282 | 326 | 336 |
| KBM 184 P | 184 | 17.8 | 22.1 | 34.7 | 53.3 | 69.7 | 81.5 | 93.9 | 116 | 130 | 140 | 158 | 197 | 276 | 305 | 353 | 364 |
| KBM 193 P | 193 | 18.7 | 23.2 | 36.4 | 55.9 | 73.1 | 85.4 | 98.5 | 122 | 137 | 147 | 166 | 207 | 289 | 320 | 370 | 382 |
| KBM 200 P | 200 | 19.3 | 24.0 | 37.7 | 57.9 | 75.8 | 88.5 | 102 | 126 | 142 | 152 | 172 | 214 | 299 | 332 | 384 | 395 |
| KBM 208 P | 208 | 20.1 | 25.0 | 39.2 | 60.2 | 78.8 | 92.1 | 106 | 131 | 147 | 159 | 179 | 223 | 311 | 345 | 399 | 411 |
| KBM 218 P | 218 | 21.1 | 26.2 | 41.1 | 63.1 | 82.6 | 96.5 | 111 | 137 | 154 | 166 | 187 | 234 | 326 | 362 | 418 | 431 |
| KBM 231 P | 231 | 22.3 | 27.7 | 43.5 | 66.9 | 87.5 | 102 | 118 | 146 | 164 | 176 | 198 | 247 | 346 | 383 | 443 | 457 |
| KBM 241 P | 241 | 23.3 | 28.9 | 45.4 | 69.8 | 91.3 | 107 | 123 | 152 | 171 | 184 | 207 | 258 | 361 | 400 | 462 | 476 |
| KBM 250 P | 250 | 24.2 | 30.0 | 47.1 | 72.4 | 94.8 | 111 | 128 | 158 | 177 | 191 | 215 | 268 | 374 | 415 | 480 | 494 |
| KBM 260 P | 260 | 25.1 | 31.2 | 49.0 | 75.3 | 98.5 | 115 | 133 | 164 | 184 | 198 | 223 | 279 | 389 | 431 | 499 | 514 |
| KBM 277 P | 277 | 26.8 | 33.2 | 52.2 | 80.2 | 105 | 123 | 141 | 175 | 196 | 211 | 238 | 297 | 415 | 460 | 531 | 548 |
| KBM 300 P | 300 | 29.0 | 36.0 | 56.5 | 86.9 | 114 | 133 | 153 | 189 | 213 | 229 | 258 | 321 | 449 | 498 | 575 | 593 |
| KBM 323 P | 323 | 31.2 | 38.8 | 60.8 | 93.5 | 122 | 143 | 165 | 204 | 229 | 246 | 277 | 346 | 484 | 536 | 620 | 639 |
| KBM 346 P | 346 | 33.5 | 41.5 | 65.2 | 100 | 131 | 153 | 177 | 218 | 245 | 264 | 297 | 371 | 518 | 574 | 664 | 684 |
| KBM 369 P | 369 | 35.7 | 44.3 | 69.5 | 107 | 140 | 163 | 188 | 232 | 261 | 281 | 317 | 395 | 553 | 612 | 708 | 729 |
| KBM 390 P | 390 | 37.7 | 46.8 | 73.5 | 113 | 148 | 173 | 199 | 246 | 276 | 297 | 335 | 418 | 584 | 647 | 748 | 771 |
| KBM 400 P | 400 | 38.7 | 48.0 | 75.4 | 116 | 152 | 177 | 204 | 252 | 283 | 305 | 343 | 429 | 599 | 664 | 767 | 791 |
| KBM 415 P | 415 | 40.1 | 49.8 | 78.2 | 120 | 157 | 184 | 212 | 261 | 294 | 316 | 356 | 445 | 621 | 689 | 796 | 820 |
| KBM 438 P | 438 | 42.4 | 52.6 | 82.5 | 127 | 166 | 194 | 224 | 276 | 310 | 334 | 376 | 469 | 656 | 727 | 840 | 866 |
| KBM 461 P | 461 | 44.6 | 55.3 | 86.8 | 133 | 175 | 204 | 235 | 290 | 327 | 351 | 396 | 494 | 690 | 765 | 884 | 911 |
| KBM 485 P | 485 | 46.9 | 58.2 | 91.4 | 140 | 184 | 215 | 248 | 306 | 344 | 370 | 416 | 520 | 726 | 805 | 930 | 959 |

Performance data of KBM range in Amperes

After long term float charge of fully charged cells at +20°C ±5°C (+68°F ± 9°F)

Final Cell Voltage: 1.14 V

| Cell Type | C ₅ Ah | Hours | | | | | | | Minutes | | | | | Seconds | | | |
|------------|-------------------|-------|------|------|-----|-----|-----|-----|---------|------|------|------|------|---------|------|------|------|
| | | 10 | 8 | 5 | 3 | 2 | 1.5 | 1 | 30 | 20 | 15 | 10 | 5 | 60 | 30 | 5 | 1 |
| KBM 505 P | 505 | 48.8 | 60.6 | 95.1 | 146 | 191 | 224 | 258 | 318 | 358 | 385 | 433 | 541 | 756 | 838 | 969 | 998 |
| KBM 525 P | 525 | 50.8 | 63.0 | 98.9 | 152 | 199 | 232 | 268 | 331 | 372 | 400 | 451 | 562 | 786 | 871 | 1007 | 1038 |
| KBM 555 P | 555 | 53.7 | 66.6 | 105 | 161 | 210 | 246 | 283 | 350 | 393 | 423 | 476 | 595 | 831 | 921 | 1065 | 1097 |
| KBM 580 P | 580 | 56.1 | 69.6 | 109 | 168 | 220 | 257 | 296 | 365 | 411 | 442 | 498 | 621 | 868 | 962 | 1113 | 1147 |
| KBM 600 P | 600 | 58.0 | 72.0 | 113 | 174 | 227 | 266 | 306 | 378 | 425 | 457 | 515 | 643 | 898 | 995 | 1151 | 1186 |
| KBM 625 P | 625 | 60.4 | 75.0 | 118 | 181 | 237 | 277 | 319 | 394 | 443 | 476 | 536 | 670 | 936 | 1037 | 1199 | 1236 |
| KBM 650 P | 650 | 62.9 | 78.0 | 122 | 188 | 246 | 288 | 332 | 410 | 461 | 495 | 558 | 696 | 973 | 1078 | 1247 | 1285 |
| KBM 675 P | 675 | 65.3 | 81.0 | 127 | 195 | 256 | 299 | 345 | 425 | 478 | 514 | 579 | 723 | 1011 | 1120 | 1295 | 1334 |
| KBM 690 P | 690 | 66.7 | 82.8 | 130 | 200 | 262 | 305 | 352 | 435 | 489 | 526 | 592 | 739 | 1033 | 1145 | 1324 | 1364 |
| KBM 723 P | 723 | 69.9 | 86.8 | 136 | 209 | 274 | 320 | 369 | 456 | 512 | 551 | 621 | 775 | 1083 | 1199 | 1387 | 1429 |
| KBM 740 P | 740 | 71.6 | 88.8 | 139 | 214 | 280 | 328 | 378 | 466 | 524 | 564 | 635 | 793 | 1108 | 1228 | 1419 | 1463 |
| KBM 770 P | 770 | 74.5 | 92.4 | 145 | 223 | 292 | 341 | 393 | 485 | 546 | 587 | 661 | 825 | 1153 | 1277 | 1477 | 1522 |
| KBM 790 P | 790 | 76.4 | 94.8 | 149 | 229 | 299 | 350 | 403 | 498 | 560 | 602 | 678 | 846 | 1183 | 1311 | 1515 | 1562 |
| KBM 805 P | 805 | 77.9 | 96.6 | 152 | 233 | 305 | 356 | 411 | 507 | 570 | 614 | 691 | 862 | 1205 | 1336 | 1544 | 1591 |
| KBM 830 P | 830 | 80.3 | 99.6 | 156 | 240 | 315 | 367 | 424 | 523 | 588 | 633 | 712 | 889 | 1243 | 1377 | 1592 | 1641 |
| KBM 865 P | 865 | 83.7 | 104 | 163 | 250 | 328 | 383 | 441 | 545 | 613 | 659 | 742 | 927 | 1295 | 1435 | 1659 | 1710 |
| KBM 890 P | 890 | 86.1 | 107 | 168 | 258 | 337 | 394 | 454 | 561 | 631 | 678 | 764 | 954 | 1333 | 1477 | 1707 | 1759 |
| KBM 920 P | 920 | 89.0 | 110 | 173 | 266 | 349 | 407 | 470 | 580 | 652 | 701 | 790 | 986 | 1378 | 1526 | 1765 | 1819 |
| KBM 940 P | 940 | 90.9 | 113 | 177 | 272 | 356 | 416 | 480 | 592 | 666 | 716 | 807 | 1007 | 1407 | 1560 | 1803 | 1858 |
| KBM 965 P | 965 | 93.3 | 116 | 182 | 279 | 366 | 427 | 493 | 608 | 684 | 736 | 828 | 1034 | 1445 | 1601 | 1851 | 1908 |
| KBM 1000 P | 1000 | 96.7 | 120 | 188 | 290 | 379 | 443 | 510 | 630 | 709 | 762 | 858 | 1071 | 1497 | 1659 | 1918 | 1977 |
| KBM 1040 P | 1040 | 101 | 125 | 196 | 301 | 394 | 460 | 531 | 655 | 737 | 793 | 893 | 1114 | 1557 | 1725 | 1995 | 2056 |
| KBM 1080 P | 1080 | 104 | 130 | 203 | 313 | 409 | 478 | 551 | 680 | 765 | 823 | 927 | 1157 | 1617 | 1792 | 2072 | 2135 |
| KBM 1100 P | 1100 | 106 | 132 | 207 | 318 | 417 | 487 | 561 | 693 | 779 | 838 | 944 | 1179 | 1647 | 1825 | 2110 | 2175 |
| KBM 1150 P | 1150 | 111 | 138 | 217 | 333 | 436 | 509 | 587 | 725 | 815 | 877 | 987 | 1232 | 1722 | 1908 | 2206 | 2273 |
| KBM 1180 P | 1180 | 114 | 142 | 222 | 342 | 447 | 522 | 602 | 743 | 836 | 899 | 1013 | 1264 | 1767 | 1958 | 2263 | 2333 |
| KBM 1220 P | 1220 | 118 | 146 | 230 | 353 | 462 | 540 | 623 | 769 | 864 | 930 | 1047 | 1307 | 1827 | 2024 | 2340 | 2412 |
| KBM 1270 P | 1270 | 123 | 152 | 239 | 368 | 481 | 562 | 648 | 800 | 900 | 968 | 1090 | 1361 | 1902 | 2107 | 2436 | 2511 |
| KBM 1320 P | 1320 | 128 | 158 | 249 | 382 | 500 | 584 | 674 | 832 | 935 | 1006 | 1133 | 1414 | 1976 | 2190 | 2532 | 2609 |
| KBM 1390 P | 1390 | 134 | 167 | 262 | 402 | 527 | 615 | 709 | 876 | 985 | 1059 | 1193 | 1489 | 2081 | 2306 | 2666 | 2748 |
| KBM 1445 P | 1445 | 140 | 173 | 272 | 418 | 548 | 640 | 738 | 910 | 1024 | 1101 | 1240 | 1548 | 2164 | 2397 | 2772 | 2857 |
| KBM 1460 P | 1460 | 141 | 175 | 275 | 423 | 553 | 646 | 745 | 920 | 1034 | 1113 | 1253 | 1564 | 2186 | 2422 | 2801 | 2886 |

Performance data of KBM range in Amperes

After long term float charge of fully charged cells at +20°C ±5°C (+68°F ± 9°F)

Final Cell Voltage: 1.10 V

| Cell Type | C ₅ Ah | Hours | | | | | | | Minutes | | | | | Seconds | | | |
|-----------|-------------------|-------|------|-------|-------|------|------|------|---------|------|------|------|------|---------|------|------|------|
| | | 10 | 8 | 5 | 3 | 2 | 1.5 | 1 | 30 | 20 | 15 | 10 | 5 | 60 | 30 | 5 | 1 |
| KBM 12 P | 12 | 1.19 | 1.48 | 2.34 | 3.74 | 5.10 | 6.10 | 7.30 | 9.03 | 10.7 | 11.2 | 12.9 | 15.7 | 22.7 | 25.7 | 30.9 | 32.9 |
| KBM 17 P | 17 | 1.69 | 2.10 | 3.32 | 5.30 | 7.22 | 8.64 | 10.3 | 12.8 | 15.2 | 15.9 | 18.3 | 22.2 | 32.2 | 36.4 | 43.8 | 46.6 |
| KBM 22 P | 22 | 2.19 | 2.71 | 4.29 | 6.86 | 9.35 | 11.2 | 13.4 | 16.5 | 19.7 | 20.6 | 23.6 | 28.8 | 41.6 | 47.0 | 56.7 | 60.3 |
| KBM 28 P | 28 | 2.78 | 3.45 | 5.47 | 8.73 | 11.9 | 14.2 | 17.0 | 21.1 | 25.0 | 26.2 | 30.1 | 36.6 | 53.0 | 59.9 | 72.1 | 76.8 |
| KBM 35 P | 35 | 3.48 | 4.32 | 6.83 | 10.9 | 14.9 | 17.8 | 21.3 | 26.3 | 31.3 | 32.7 | 37.6 | 45.8 | 66.2 | 74.8 | 90.2 | 96.0 |
| KBM 44 P | 44 | 4.37 | 5.42 | 8.59 | 13.7 | 18.7 | 22.4 | 26.8 | 33.1 | 39.3 | 41.2 | 47.3 | 57.6 | 83.2 | 94.1 | 113 | 121 |
| KBM 50 P | 50 | 4.96 | 6.16 | 9.75 | 15.8 | 21.5 | 25.9 | 31.9 | 39.2 | 46.8 | 48.6 | 55.5 | 66.6 | 92.8 | 104 | 122 | 130 |
| KBM 57 P | 57 | 5.65 | 7.02 | 11.1 | 18.0 | 24.5 | 29.6 | 36.4 | 44.7 | 53.3 | 55.5 | 63.3 | 75.9 | 106 | 118 | 139 | 148 |
| KBM 67 P | 67 | 6.64 | 8.25 | 13.1 | 21.1 | 28.8 | 34.8 | 42.7 | 52.6 | 62.7 | 65.2 | 74.4 | 89.2 | 124 | 139 | 164 | 174 |
| KBM 75 P | 75 | 7.43 | 9.24 | 14.6 | 23.6 | 32.2 | 38.9 | 47.8 | 58.9 | 70.2 | 73.0 | 83.3 | 100 | 139 | 155 | 183 | 195 |
| KBM 90 P | 90 | 8.92 | 11.1 | 17.5 | 28.4 | 38.6 | 46.7 | 57.4 | 70.6 | 84.2 | 87.6 | 100 | 120 | 167 | 186 | 220 | 234 |
| KBM 95 P | 95 | 9.42 | 11.7 | 18.5 | 29.9 | 40.8 | 49.3 | 60.6 | 74.6 | 88.9 | 92.4 | 106 | 127 | 176 | 197 | 232 | 246 |
| KBM 100 P | 100 | 9.91 | 12.3 | 19.5 | 31.5 | 42.9 | 51.9 | 63.8 | 78.5 | 93.6 | 97.3 | 111 | 133 | 186 | 207 | 244 | 259 |
| KBM 112 P | 112 | 11.1 | 13.8 | 21.8 | 35.3 | 48.1 | 58.1 | 71.4 | 87.9 | 105 | 109 | 124 | 149 | 208 | 232 | 274 | 291 |
| KBM 118 P | 118 | 11.7 | 14.5 | 23.0 | 37.2 | 50.7 | 61.2 | 75.3 | 92.6 | 110 | 115 | 131 | 157 | 219 | 244 | 288 | 306 |
| KBM 128 P | 128 | 12.7 | 15.8 | 24.96 | 40.32 | 55.0 | 66.4 | 81.6 | 100 | 120 | 125 | 142 | 170 | 238 | 265 | 313 | 332 |
| KBM 138 P | 138 | 13.7 | 17.0 | 26.9 | 43.5 | 59.3 | 71.6 | 88.0 | 108 | 129 | 134 | 153 | 184 | 256 | 286 | 337 | 358 |
| KBM 150 P | 150 | 14.9 | 18.5 | 29.2 | 47.3 | 64.4 | 77.8 | 95.7 | 118 | 140 | 146 | 167 | 200 | 278 | 311 | 366 | 389 |
| KBM 161 P | 161 | 16.0 | 19.8 | 31.4 | 50.7 | 69.1 | 83.6 | 103 | 126 | 151 | 157 | 179 | 214 | 299 | 333 | 393 | 418 |
| KBM 170 P | 170 | 16.8 | 20.9 | 33.1 | 53.6 | 73.0 | 88.2 | 108 | 133 | 159 | 165 | 189 | 226 | 316 | 352 | 415 | 441 |
| KBM 184 P | 184 | 18.2 | 22.7 | 35.9 | 58.0 | 79.0 | 95.5 | 117 | 144 | 172 | 179 | 204 | 245 | 342 | 381 | 449 | 477 |
| KBM 193 P | 193 | 19.1 | 23.8 | 37.6 | 60.8 | 82.9 | 100 | 123 | 151 | 181 | 188 | 214 | 257 | 358 | 400 | 471 | 501 |
| KBM 200 P | 200 | 19.8 | 24.6 | 39.0 | 63.0 | 85.9 | 104 | 128 | 157 | 187 | 195 | 222 | 266 | 371 | 414 | 489 | 519 |
| KBM 208 P | 208 | 20.6 | 25.6 | 40.6 | 65.5 | 89.3 | 108 | 133 | 163 | 195 | 202 | 231 | 277 | 386 | 431 | 508 | 540 |
| KBM 218 P | 218 | 21.6 | 26.9 | 42.5 | 68.7 | 93.6 | 113 | 139 | 171 | 204 | 212 | 242 | 290 | 405 | 451 | 533 | 566 |
| KBM 231 P | 231 | 22.9 | 28.5 | 45.0 | 72.8 | 99.2 | 120 | 147 | 181 | 216 | 225 | 257 | 308 | 429 | 478 | 564 | 599 |
| KBM 241 P | 241 | 23.9 | 29.7 | 47.0 | 75.9 | 103 | 125 | 154 | 189 | 226 | 234 | 268 | 321 | 447 | 499 | 589 | 625 |
| KBM 250 P | 250 | 24.8 | 30.8 | 48.7 | 78.8 | 107 | 130 | 159 | 196 | 234 | 243 | 278 | 333 | 464 | 518 | 611 | 649 |
| KBM 260 P | 260 | 25.8 | 32.0 | 50.7 | 81.9 | 112 | 135 | 166 | 204 | 243 | 253 | 289 | 346 | 483 | 538 | 635 | 675 |
| KBM 277 P | 277 | 27.5 | 34.1 | 54.0 | 87.3 | 119 | 144 | 177 | 217 | 259 | 269 | 308 | 369 | 514 | 574 | 677 | 719 |
| KBM 300 P | 300 | 29.7 | 37.0 | 58.5 | 94.5 | 129 | 156 | 191 | 235 | 281 | 292 | 333 | 400 | 557 | 621 | 733 | 778 |
| KBM 323 P | 323 | 32.0 | 39.8 | 63.0 | 102 | 139 | 168 | 206 | 254 | 302 | 314 | 359 | 430 | 600 | 669 | 789 | 838 |
| KBM 346 P | 346 | 34.3 | 42.6 | 67.5 | 109 | 149 | 180 | 221 | 272 | 324 | 337 | 384 | 461 | 642 | 716 | 845 | 898 |
| KBM 369 P | 369 | 36.6 | 45.5 | 72.0 | 116 | 158 | 192 | 235 | 290 | 345 | 359 | 410 | 491 | 685 | 764 | 901 | 957 |
| KBM 390 P | 390 | 38.7 | 48.0 | 76.0 | 123 | 167 | 202 | 249 | 306 | 365 | 379 | 433 | 519 | 724 | 807 | 953 | 1012 |
| KBM 400 P | 400 | 39.6 | 49.3 | 78.0 | 126 | 172 | 208 | 255 | 314 | 374 | 389 | 444 | 533 | 743 | 828 | 977 | 1038 |
| KBM 415 P | 415 | 41.1 | 51.1 | 80.9 | 131 | 178 | 215 | 265 | 326 | 388 | 404 | 461 | 553 | 770 | 859 | 1014 | 1077 |
| KBM 438 P | 438 | 43.4 | 54.0 | 85.4 | 138 | 188 | 227 | 279 | 344 | 410 | 426 | 487 | 583 | 813 | 907 | 1070 | 1136 |
| KBM 461 P | 461 | 45.7 | 56.8 | 89.9 | 145 | 198 | 239 | 294 | 362 | 431 | 449 | 512 | 614 | 856 | 954 | 1126 | 1196 |
| KBM 485 P | 485 | 48.1 | 59.7 | 94.6 | 153 | 208 | 252 | 309 | 381 | 454 | 472 | 539 | 646 | 900 | 1004 | 1185 | 1258 |

Performance data of KBM range in Amperes

After long term float charge of fully charged cells at +20°C ±5°C (+68°F ± 9°F)

Final Cell Voltage: 1.10 V

| Cell Type | C ₅ Ah | Hours | | | | | | | Minutes | | | | | Seconds | | | |
|------------|-------------------|-------|------|------|-----|-----|-----|-----|---------|------|------|------|------|---------|------|------|------|
| | | 10 | 8 | 5 | 3 | 2 | 1.5 | 1 | 30 | 20 | 15 | 10 | 5 | 60 | 30 | 5 | 1 |
| KBM 505 P | 505 | 50.0 | 62.2 | 98.5 | 159 | 217 | 262 | 322 | 396 | 473 | 491 | 561 | 673 | 937 | 1046 | 1234 | 1310 |
| KBM 525 P | 525 | 52.0 | 64.7 | 102 | 165 | 225 | 272 | 335 | 412 | 491 | 511 | 583 | 699 | 975 | 1087 | 1283 | 1362 |
| KBM 555 P | 555 | 55.0 | 68.4 | 108 | 175 | 238 | 288 | 354 | 436 | 519 | 540 | 616 | 739 | 1030 | 1149 | 1356 | 1440 |
| KBM 580 P | 580 | 57.5 | 71.4 | 113 | 183 | 249 | 301 | 370 | 455 | 543 | 564 | 644 | 772 | 1077 | 1201 | 1417 | 1505 |
| KBM 600 P | 600 | 59.5 | 73.9 | 117 | 189 | 258 | 311 | 383 | 471 | 562 | 584 | 666 | 799 | 1114 | 1242 | 1466 | 1557 |
| KBM 625 P | 625 | 61.9 | 77.0 | 122 | 197 | 268 | 324 | 399 | 491 | 585 | 608 | 694 | 832 | 1160 | 1294 | 1527 | 1622 |
| KBM 650 P | 650 | 64.4 | 80.1 | 127 | 205 | 279 | 337 | 415 | 510 | 608 | 632 | 722 | 866 | 1207 | 1346 | 1588 | 1687 |
| KBM 675 P | 675 | 66.9 | 83.1 | 132 | 213 | 290 | 350 | 431 | 530 | 632 | 657 | 750 | 899 | 1253 | 1398 | 1649 | 1751 |
| KBM 690 P | 690 | 68.4 | 85.0 | 135 | 217 | 296 | 358 | 440 | 542 | 646 | 671 | 766 | 919 | 1281 | 1429 | 1686 | 1790 |
| KBM 723 P | 723 | 71.7 | 89.1 | 141 | 228 | 310 | 375 | 461 | 567 | 677 | 703 | 803 | 963 | 1342 | 1497 | 1766 | 1876 |
| KBM 740 P | 740 | 73.3 | 91.2 | 144 | 233 | 318 | 384 | 472 | 581 | 693 | 720 | 822 | 986 | 1374 | 1532 | 1808 | 1920 |
| KBM 770 P | 770 | 76.3 | 94.9 | 150 | 243 | 331 | 400 | 491 | 604 | 721 | 749 | 855 | 1026 | 1429 | 1594 | 1881 | 1998 |
| KBM 790 P | 790 | 78.3 | 97.3 | 154 | 249 | 339 | 410 | 504 | 620 | 739 | 769 | 877 | 1052 | 1467 | 1636 | 1930 | 2050 |
| KBM 805 P | 805 | 79.8 | 99.2 | 157 | 254 | 346 | 418 | 513 | 632 | 753 | 783 | 894 | 1072 | 1494 | 1667 | 1967 | 2089 |
| KBM 830 P | 830 | 82.3 | 102 | 162 | 261 | 356 | 431 | 529 | 651 | 777 | 808 | 922 | 1105 | 1541 | 1718 | 2028 | 2154 |
| KBM 865 P | 865 | 85.7 | 107 | 169 | 273 | 371 | 449 | 552 | 679 | 810 | 842 | 961 | 1152 | 1606 | 1791 | 2113 | 2244 |
| KBM 890 P | 890 | 88.2 | 110 | 174 | 280 | 382 | 462 | 568 | 699 | 833 | 866 | 989 | 1185 | 1652 | 1843 | 2174 | 2309 |
| KBM 920 P | 920 | 91.2 | 113 | 179 | 290 | 395 | 477 | 587 | 722 | 861 | 895 | 1022 | 1225 | 1708 | 1905 | 2247 | 2387 |
| KBM 940 P | 940 | 93.2 | 116 | 183 | 296 | 404 | 488 | 600 | 738 | 880 | 915 | 1044 | 1252 | 1745 | 1946 | 2296 | 2439 |
| KBM 965 P | 965 | 95.6 | 119 | 188 | 304 | 414 | 501 | 615 | 757 | 903 | 939 | 1072 | 1285 | 1791 | 1998 | 2357 | 2504 |
| KBM 1000 P | 1000 | 99.1 | 123 | 195 | 315 | 429 | 519 | 638 | 785 | 936 | 973 | 1111 | 1332 | 1856 | 2070 | 2443 | 2595 |
| KBM 1040 P | 1040 | 103 | 128 | 203 | 328 | 447 | 540 | 663 | 816 | 973 | 1012 | 1155 | 1385 | 1931 | 2153 | 2541 | 2698 |
| KBM 1080 P | 1080 | 107 | 133 | 211 | 340 | 464 | 560 | 689 | 848 | 1011 | 1051 | 1200 | 1438 | 2005 | 2236 | 2638 | 2802 |
| KBM 1100 P | 1100 | 109 | 136 | 214 | 347 | 472 | 571 | 702 | 863 | 1030 | 1070 | 1222 | 1465 | 2042 | 2277 | 2687 | 2854 |
| KBM 1150 P | 1150 | 114 | 142 | 224 | 362 | 494 | 597 | 733 | 903 | 1076 | 1119 | 1277 | 1532 | 2135 | 2381 | 2809 | 2984 |
| KBM 1180 P | 1180 | 117 | 145 | 230 | 372 | 507 | 612 | 753 | 926 | 1104 | 1148 | 1311 | 1572 | 2191 | 2443 | 2883 | 3062 |
| KBM 1220 P | 1220 | 121 | 150 | 238 | 384 | 524 | 633 | 778 | 958 | 1142 | 1187 | 1355 | 1625 | 2265 | 2526 | 2980 | 3166 |
| KBM 1270 P | 1270 | 126 | 156 | 248 | 400 | 545 | 659 | 810 | 997 | 1189 | 1236 | 1411 | 1691 | 2358 | 2629 | 3102 | 3295 |
| KBM 1320 P | 1320 | 131 | 163 | 257 | 416 | 567 | 685 | 842 | 1036 | 1235 | 1284 | 1466 | 1758 | 2450 | 2733 | 3225 | 3425 |
| KBM 1390 P | 1390 | 138 | 171 | 271 | 438 | 597 | 721 | 887 | 1091 | 1301 | 1352 | 1544 | 1851 | 2580 | 2878 | 3396 | 3607 |
| KBM 1445 P | 1445 | 143 | 178 | 282 | 455 | 620 | 750 | 922 | 1134 | 1352 | 1406 | 1605 | 1925 | 2682 | 2992 | 3530 | 3749 |
| KBM 1460 P | 1460 | 145 | 180 | 285 | 460 | 627 | 758 | 931 | 1146 | 1366 | 1420 | 1622 | 1944 | 2710 | 3023 | 3567 | 3788 |

Performance data of KBM range in Amperes

After long term float charge of fully charged cells at +20°C ±5°C (+68°F ± 9°F)

Final Cell Voltage: 1.05 V

| Cell type | C ₅ Ah | Hours | | | | | | | Minutes | | | | | Seconds | | | |
|-----------|-------------------|-------|------|-------|-------|------|------|------|---------|------|------|------|------|---------|------|------|------|
| | | 10 | 8 | 5 | 3 | 2 | 1.5 | 1 | 30 | 20 | 15 | 10 | 5 | 60 | 30 | 5 | 1 |
| KBM 12 P | 12 | 1.21 | 1.50 | 2.38 | 3.86 | 5.60 | 6.91 | 8.78 | 11.1 | 13.0 | 14.2 | 15.6 | 18.4 | 26.8 | 30.6 | 36.9 | 39.9 |
| KBM 17 P | 17 | 1.71 | 2.13 | 3.37 | 5.47 | 7.94 | 9.78 | 12.4 | 15.7 | 18.4 | 20.1 | 22.1 | 26.1 | 37.9 | 43.4 | 52.3 | 56.6 |
| KBM 22 P | 22 | 2.22 | 2.75 | 4.36 | 7.08 | 10.3 | 12.7 | 16.1 | 20.4 | 23.8 | 26.0 | 28.7 | 33.8 | 49.1 | 56.1 | 67.7 | 73.2 |
| KBM 28 P | 28 | 2.82 | 3.51 | 5.55 | 9.01 | 13.1 | 16.1 | 20.5 | 25.9 | 30.3 | 33.1 | 36.5 | 43.0 | 62.5 | 71.4 | 86.2 | 93.2 |
| KBM 35 P | 35 | 3.52 | 4.38 | 6.93 | 11.3 | 16.3 | 20.1 | 25.6 | 32.4 | 37.8 | 41.3 | 45.6 | 53.8 | 78.1 | 89.3 | 108 | 116 |
| KBM 44 P | 44 | 4.43 | 5.51 | 8.72 | 14.2 | 20.5 | 25.3 | 32.2 | 40.8 | 47.5 | 52.0 | 57.3 | 67.6 | 98.2 | 112 | 135 | 146 |
| KBM 50 P | 50 | 5.05 | 6.25 | 9.91 | 16.2 | 23.4 | 29.2 | 37.9 | 48.9 | 57.0 | 62.1 | 67.9 | 78.6 | 110 | 124 | 146 | 157 |
| KBM 57 P | 57 | 5.75 | 7.13 | 11.3 | 18.4 | 26.7 | 33.3 | 43.2 | 55.7 | 64.9 | 70.8 | 77.4 | 89.6 | 125 | 141 | 166 | 179 |
| KBM 67 P | 67 | 6.76 | 8.38 | 13.3 | 21.7 | 31.3 | 39.1 | 50.8 | 65.5 | 76.3 | 83.2 | 90.9 | 105 | 147 | 166 | 195 | 210 |
| KBM 75 P | 75 | 7.57 | 9.38 | 14.9 | 24.2 | 35.1 | 43.8 | 56.9 | 73.3 | 85.4 | 93.1 | 102 | 118 | 165 | 186 | 219 | 235 |
| KBM 90 P | 90 | 9.08 | 11.3 | 17.8 | 29.1 | 42.1 | 52.5 | 68.3 | 87.9 | 103 | 112 | 122 | 142 | 198 | 223 | 262 | 283 |
| KBM 95 P | 95 | 9.59 | 11.9 | 18.8 | 30.7 | 44.5 | 55.4 | 72.0 | 92.8 | 108 | 118 | 129 | 149 | 209 | 235 | 277 | 298 |
| KBM 100 P | 100 | 10.1 | 12.5 | 19.8 | 32.3 | 46.8 | 58.4 | 75.8 | 97.7 | 114 | 124 | 136 | 157 | 220 | 247 | 292 | 314 |
| KBM 112 P | 112 | 11.3 | 14.0 | 22.2 | 36.2 | 52.4 | 65.4 | 84.9 | 109 | 128 | 139 | 152 | 176 | 246 | 277 | 327 | 352 |
| KBM 118 P | 118 | 11.9 | 14.8 | 23.4 | 38.1 | 55.2 | 68.9 | 89.5 | 115 | 134 | 147 | 160 | 186 | 260 | 292 | 344 | 371 |
| KBM 128 P | 128 | 12.9 | 16.0 | 25.36 | 41.37 | 59.9 | 74.7 | 97.1 | 125 | 146 | 159 | 174 | 201 | 282 | 317 | 373 | 402 |
| KBM 138 P | 138 | 13.9 | 17.3 | 27.3 | 44.6 | 64.6 | 80.5 | 105 | 135 | 157 | 171 | 187 | 217 | 304 | 341 | 402 | 433 |
| KBM 150 P | 150 | 15.1 | 18.8 | 29.7 | 48.5 | 70.2 | 87.5 | 114 | 147 | 171 | 186 | 204 | 236 | 330 | 371 | 437 | 471 |
| KBM 161 P | 161 | 16.2 | 20.1 | 31.9 | 52.0 | 75.3 | 94.0 | 122 | 157 | 183 | 200 | 218 | 253 | 354 | 398 | 469 | 506 |
| KBM 170 P | 170 | 17.2 | 21.3 | 33.7 | 54.9 | 79.5 | 99.2 | 129 | 166 | 194 | 211 | 231 | 267 | 374 | 421 | 496 | 534 |
| KBM 184 P | 184 | 18.6 | 23.0 | 36.5 | 59.5 | 86.1 | 107 | 140 | 180 | 210 | 228 | 250 | 289 | 405 | 455 | 536 | 578 |
| KBM 193 P | 193 | 19.5 | 24.1 | 38.2 | 62.4 | 90.3 | 113 | 146 | 189 | 220 | 240 | 262 | 304 | 425 | 477 | 563 | 606 |
| KBM 200 P | 200 | 20.2 | 25.0 | 39.6 | 64.6 | 93.6 | 117 | 152 | 195 | 228 | 248 | 271 | 315 | 440 | 495 | 583 | 628 |
| KBM 208 P | 208 | 21.0 | 26.0 | 41.2 | 67.2 | 97.3 | 121 | 158 | 203 | 237 | 258 | 282 | 327 | 458 | 515 | 606 | 653 |
| KBM 218 P | 218 | 22.0 | 27.3 | 43.2 | 70.5 | 102 | 127 | 165 | 213 | 248 | 271 | 296 | 343 | 480 | 539 | 636 | 684 |
| KBM 231 P | 231 | 23.3 | 28.9 | 45.8 | 74.7 | 108 | 135 | 175 | 226 | 263 | 287 | 313 | 363 | 508 | 571 | 673 | 725 |
| KBM 241 P | 241 | 24.3 | 30.1 | 47.8 | 77.9 | 113 | 141 | 183 | 235 | 275 | 299 | 327 | 379 | 530 | 596 | 703 | 757 |
| KBM 250 P | 250 | 25.2 | 31.3 | 49.5 | 80.8 | 117 | 146 | 190 | 244 | 285 | 310 | 339 | 393 | 550 | 618 | 729 | 785 |
| KBM 260 P | 260 | 26.2 | 32.5 | 51.5 | 84.0 | 122 | 152 | 197 | 254 | 296 | 323 | 353 | 409 | 572 | 643 | 758 | 816 |
| KBM 277 P | 277 | 28.0 | 34.7 | 54.9 | 89.5 | 130 | 162 | 210 | 271 | 316 | 344 | 376 | 436 | 610 | 685 | 808 | 870 |
| KBM 300 P | 300 | 30.3 | 37.5 | 59.4 | 97.0 | 140 | 175 | 228 | 293 | 342 | 372 | 407 | 472 | 660 | 742 | 875 | 942 |
| KBM 323 P | 323 | 32.6 | 40.4 | 64.0 | 104 | 151 | 188 | 245 | 316 | 368 | 401 | 438 | 508 | 711 | 799 | 942 | 1014 |
| KBM 346 P | 346 | 34.9 | 43.3 | 68.6 | 112 | 162 | 202 | 262 | 338 | 394 | 430 | 470 | 544 | 761 | 856 | 1009 | 1086 |
| KBM 369 P | 369 | 37.2 | 46.2 | 73.1 | 119 | 173 | 215 | 280 | 361 | 420 | 458 | 501 | 580 | 812 | 913 | 1076 | 1159 |
| KBM 390 P | 390 | 39.4 | 48.8 | 77.3 | 126 | 182 | 228 | 296 | 381 | 444 | 484 | 529 | 613 | 858 | 965 | 1137 | 1225 |
| KBM 400 P | 400 | 40.4 | 50.0 | 79.3 | 129 | 187 | 233 | 303 | 391 | 456 | 497 | 543 | 629 | 880 | 990 | 1166 | 1256 |
| KBM 415 P | 415 | 41.9 | 51.9 | 82.2 | 134 | 194 | 242 | 315 | 406 | 473 | 515 | 563 | 653 | 913 | 1027 | 1210 | 1303 |
| KBM 438 P | 438 | 44.2 | 54.8 | 86.8 | 142 | 205 | 256 | 332 | 428 | 499 | 544 | 594 | 689 | 964 | 1084 | 1277 | 1375 |
| KBM 461 P | 461 | 46.5 | 57.7 | 91.3 | 149 | 216 | 269 | 350 | 450 | 525 | 572 | 626 | 725 | 1014 | 1140 | 1344 | 1447 |
| KBM 485 P | 485 | 48.9 | 60.7 | 96.1 | 157 | 227 | 283 | 368 | 474 | 553 | 602 | 658 | 763 | 1067 | 1200 | 1414 | 1523 |

Performance data of KBM range in Amperes

After long term float charge of fully charged cells at +20°C ±5°C (+68°F ± 9°F)

Final Cell Voltage: 1.05 V

| Cell Type | C ₅ Ah | Hours | | | | | | | Minutes | | | | | Seconds | | | |
|------------|-------------------|-------|------|-----|-----|-----|-----|------|---------|------|------|------|------|---------|------|------|------|
| | | 10 | 8 | 5 | 3 | 2 | 1.5 | 1 | 30 | 20 | 15 | 10 | 5 | 60 | 30 | 5 | 1 |
| KBM 505 P | 505 | 51.0 | 63.2 | 100 | 163 | 236 | 295 | 383 | 493 | 575 | 627 | 685 | 794 | 1111 | 1249 | 1472 | 1586 |
| KBM 525 P | 525 | 53.0 | 65.7 | 104 | 170 | 246 | 306 | 398 | 513 | 598 | 652 | 712 | 826 | 1155 | 1299 | 1531 | 1648 |
| KBM 555 P | 555 | 56.0 | 69.4 | 110 | 179 | 260 | 324 | 421 | 542 | 632 | 689 | 753 | 873 | 1221 | 1373 | 1618 | 1743 |
| KBM 580 P | 580 | 58.5 | 72.6 | 115 | 187 | 271 | 338 | 440 | 567 | 661 | 720 | 787 | 912 | 1276 | 1435 | 1691 | 1821 |
| KBM 600 P | 600 | 60.5 | 75.1 | 119 | 194 | 281 | 350 | 455 | 586 | 684 | 745 | 814 | 944 | 1320 | 1484 | 1749 | 1884 |
| KBM 625 P | 625 | 63.1 | 78.2 | 124 | 202 | 292 | 365 | 474 | 611 | 712 | 776 | 848 | 983 | 1375 | 1546 | 1822 | 1962 |
| KBM 650 P | 650 | 65.6 | 81.3 | 129 | 210 | 304 | 379 | 493 | 635 | 741 | 807 | 882 | 1022 | 1430 | 1608 | 1895 | 2041 |
| KBM 675 P | 675 | 68.1 | 84.4 | 134 | 218 | 316 | 394 | 512 | 660 | 769 | 838 | 916 | 1061 | 1485 | 1670 | 1968 | 2119 |
| KBM 690 P | 690 | 69.6 | 86.3 | 137 | 223 | 323 | 403 | 523 | 674 | 786 | 857 | 936 | 1085 | 1518 | 1707 | 2012 | 2167 |
| KBM 723 P | 723 | 73.0 | 90.4 | 143 | 234 | 338 | 422 | 548 | 706 | 824 | 898 | 981 | 1137 | 1591 | 1789 | 2108 | 2270 |
| KBM 740 P | 740 | 74.7 | 92.6 | 147 | 239 | 346 | 432 | 561 | 723 | 843 | 919 | 1004 | 1164 | 1628 | 1831 | 2157 | 2324 |
| KBM 770 P | 770 | 77.7 | 96.3 | 153 | 249 | 360 | 449 | 584 | 752 | 877 | 956 | 1045 | 1211 | 1694 | 1905 | 2245 | 2418 |
| KBM 790 P | 790 | 79.7 | 98.8 | 157 | 255 | 370 | 461 | 599 | 772 | 900 | 981 | 1072 | 1242 | 1738 | 1954 | 2303 | 2480 |
| KBM 805 P | 805 | 81.2 | 101 | 160 | 260 | 377 | 470 | 610 | 787 | 917 | 999 | 1092 | 1266 | 1771 | 1991 | 2347 | 2528 |
| KBM 830 P | 830 | 83.8 | 104 | 164 | 268 | 388 | 484 | 629 | 811 | 946 | 1031 | 1126 | 1305 | 1826 | 2053 | 2420 | 2606 |
| KBM 865 P | 865 | 87.3 | 108 | 171 | 280 | 405 | 505 | 656 | 845 | 985 | 1074 | 1174 | 1360 | 1903 | 2140 | 2522 | 2716 |
| KBM 890 P | 890 | 89.8 | 111 | 176 | 288 | 416 | 519 | 675 | 870 | 1014 | 1105 | 1208 | 1400 | 1958 | 2202 | 2595 | 2794 |
| KBM 920 P | 920 | 92.8 | 115 | 182 | 297 | 430 | 537 | 698 | 899 | 1048 | 1142 | 1249 | 1447 | 2024 | 2276 | 2682 | 2889 |
| KBM 940 P | 940 | 94.9 | 118 | 186 | 304 | 440 | 549 | 713 | 919 | 1071 | 1167 | 1276 | 1478 | 2068 | 2325 | 2740 | 2951 |
| KBM 965 P | 965 | 97.4 | 121 | 191 | 312 | 452 | 563 | 732 | 943 | 1099 | 1198 | 1310 | 1518 | 2123 | 2387 | 2813 | 3030 |
| KBM 1000 P | 1000 | 101 | 125 | 198 | 323 | 468 | 584 | 758 | 977 | 1139 | 1242 | 1357 | 1573 | 2200 | 2474 | 2915 | 3140 |
| KBM 1040 P | 1040 | 105 | 130 | 206 | 336 | 487 | 607 | 789 | 1016 | 1185 | 1291 | 1411 | 1635 | 2288 | 2573 | 3032 | 3265 |
| KBM 1080 P | 1080 | 109 | 135 | 214 | 349 | 505 | 630 | 819 | 1055 | 1230 | 1341 | 1466 | 1698 | 2377 | 2672 | 3148 | 3391 |
| KBM 1100 P | 1100 | 111 | 138 | 218 | 355 | 515 | 642 | 834 | 1075 | 1253 | 1366 | 1493 | 1730 | 2421 | 2721 | 3207 | 3454 |
| KBM 1150 P | 1150 | 116 | 144 | 228 | 372 | 538 | 671 | 872 | 1124 | 1310 | 1428 | 1561 | 1808 | 2531 | 2845 | 3353 | 3611 |
| KBM 1180 P | 1180 | 119 | 148 | 234 | 381 | 552 | 689 | 895 | 1153 | 1344 | 1465 | 1601 | 1856 | 2597 | 2919 | 3440 | 3705 |
| KBM 1220 P | 1220 | 123 | 153 | 242 | 394 | 571 | 712 | 925 | 1192 | 1390 | 1515 | 1656 | 1919 | 2685 | 3018 | 3557 | 3831 |
| KBM 1270 P | 1270 | 128 | 159 | 252 | 410 | 594 | 741 | 963 | 1241 | 1447 | 1577 | 1723 | 1997 | 2795 | 3142 | 3702 | 3988 |
| KBM 1320 P | 1320 | 133 | 165 | 262 | 427 | 618 | 770 | 1001 | 1290 | 1504 | 1639 | 1791 | 2076 | 2905 | 3265 | 3848 | 4145 |
| KBM 1390 P | 1390 | 140 | 174 | 275 | 449 | 650 | 811 | 1054 | 1358 | 1584 | 1726 | 1886 | 2186 | 3059 | 3439 | 4052 | 4364 |
| KBM 1445 P | 1445 | 146 | 181 | 286 | 467 | 676 | 843 | 1096 | 1412 | 1646 | 1794 | 1961 | 2272 | 3180 | 3575 | 4213 | 4537 |
| KBM 1460 P | 1460 | 147 | 183 | 289 | 472 | 683 | 852 | 1107 | 1427 | 1663 | 1813 | 1981 | 2296 | 3213 | 3612 | 4256 | 4584 |

Performance data of KBM range in Amperes

After long term float charge of fully charged cells at +20°C ±5°C (+68°F ± 9°F)

Final Cell Voltage: 1.00 V

| Cell Type | C ₅ Ah | Hours | | | | | | | Minutes | | | | | Seconds | | | |
|-----------|-------------------|-------|------|-------|-------|------|------|------|---------|------|------|------|------|---------|------|------|------|
| | | 10 | 8 | 5 | 3 | 2 | 1.5 | 1 | 30 | 20 | 15 | 10 | 5 | 60 | 30 | 5 | 1 |
| KBM 12 P | 12 | 1.22 | 1.51 | 2.40 | 3.93 | 5.73 | 7.42 | 9.74 | 13.0 | 15.0 | 16.2 | 18.5 | 22.2 | 31.3 | 35.6 | 43.6 | 47.1 |
| KBM 17 P | 17 | 1.73 | 2.14 | 3.40 | 5.56 | 8.11 | 10.5 | 13.8 | 18.5 | 21.3 | 23.0 | 26.2 | 31.4 | 44.3 | 50.4 | 61.8 | 66.7 |
| KBM 22 P | 22 | 2.23 | 2.77 | 4.40 | 7.20 | 10.5 | 13.6 | 17.9 | 23.9 | 27.6 | 29.8 | 34.0 | 40.7 | 57.3 | 65.3 | 80.0 | 86.3 |
| KBM 28 P | 28 | 2.84 | 3.53 | 5.60 | 9.16 | 13.4 | 17.3 | 22.7 | 30.4 | 35.1 | 37.9 | 43.2 | 51.8 | 72.9 | 83.1 | 102 | 110 |
| KBM 35 P | 35 | 3.55 | 4.41 | 7.00 | 11.4 | 16.7 | 21.6 | 28.4 | 38.0 | 43.9 | 47.3 | 54.0 | 64.7 | 91.2 | 104 | 127 | 137 |
| KBM 44 P | 44 | 4.47 | 5.55 | 8.80 | 14.4 | 21.0 | 27.2 | 35.7 | 47.8 | 55.1 | 59.5 | 67.9 | 81.4 | 115 | 131 | 160 | 173 |
| KBM 50 P | 50 | 5.09 | 6.30 | 10.0 | 16.4 | 23.9 | 31.0 | 41.9 | 57.5 | 66.1 | 71.5 | 81.5 | 96.0 | 130 | 145 | 173 | 183 |
| KBM 57 P | 57 | 5.80 | 7.18 | 11.4 | 18.7 | 27.2 | 35.3 | 47.8 | 65.5 | 75.4 | 81.5 | 92.9 | 109 | 148 | 165 | 197 | 208 |
| KBM 67 P | 67 | 6.82 | 8.44 | 13.4 | 21.9 | 32.0 | 41.5 | 56.2 | 77.0 | 88.6 | 95.8 | 109 | 129 | 174 | 194 | 231 | 245 |
| KBM 75 P | 75 | 7.64 | 9.45 | 15.0 | 24.5 | 35.9 | 46.5 | 62.9 | 86.2 | 99.2 | 107 | 122 | 144 | 194 | 217 | 259 | 274 |
| KBM 90 P | 90 | 9.16 | 11.3 | 18.0 | 29.4 | 43.0 | 55.8 | 75.5 | 103 | 119 | 129 | 147 | 173 | 233 | 260 | 311 | 329 |
| KBM 95 P | 95 | 9.67 | 12.0 | 19.0 | 31.1 | 45.4 | 58.9 | 79.7 | 109 | 126 | 136 | 155 | 182 | 246 | 275 | 328 | 347 |
| KBM 100 P | 100 | 10.2 | 12.6 | 20.0 | 32.7 | 47.8 | 62.0 | 83.9 | 115 | 132 | 143 | 163 | 192 | 259 | 289 | 345 | 365 |
| KBM 112 P | 112 | 11.4 | 14.1 | 22.4 | 36.6 | 53.5 | 69.4 | 94.0 | 129 | 148 | 160 | 183 | 215 | 290 | 324 | 387 | 409 |
| KBM 118 P | 118 | 12.0 | 14.9 | 23.6 | 38.6 | 56.4 | 73.2 | 99.0 | 136 | 156 | 169 | 192 | 227 | 306 | 341 | 407 | 431 |
| KBM 128 P | 128 | 13.0 | 16.1 | 25.60 | 41.88 | 61.2 | 79.4 | 107 | 147 | 169 | 183 | 209 | 246 | 332 | 370 | 442 | 468 |
| KBM 138 P | 138 | 14.1 | 17.4 | 27.6 | 45.2 | 66.0 | 85.6 | 116 | 159 | 182 | 197 | 225 | 265 | 358 | 399 | 476 | 504 |
| KBM 150 P | 150 | 15.3 | 18.9 | 30.0 | 49.1 | 71.7 | 93.0 | 126 | 172 | 198 | 214 | 245 | 288 | 389 | 434 | 518 | 548 |
| KBM 161 P | 161 | 16.4 | 20.3 | 32.2 | 52.7 | 77.0 | 99.8 | 135 | 185 | 213 | 230 | 263 | 309 | 417 | 466 | 556 | 588 |
| KBM 170 P | 170 | 17.3 | 21.4 | 34.0 | 55.6 | 81.3 | 105 | 143 | 195 | 225 | 243 | 277 | 326 | 441 | 492 | 587 | 621 |
| KBM 184 P | 184 | 18.7 | 23.2 | 36.8 | 60.2 | 88.0 | 114 | 154 | 212 | 243 | 263 | 300 | 353 | 477 | 532 | 635 | 672 |
| KBM 193 P | 193 | 19.7 | 24.3 | 38.6 | 63.1 | 92.3 | 120 | 162 | 222 | 255 | 276 | 315 | 371 | 500 | 558 | 666 | 705 |
| KBM 200 P | 200 | 20.4 | 25.2 | 40.0 | 65.4 | 95.6 | 124 | 168 | 230 | 264 | 286 | 326 | 384 | 518 | 578 | 690 | 731 |
| KBM 208 P | 208 | 21.2 | 26.2 | 41.6 | 68.1 | 99.4 | 129 | 174 | 239 | 275 | 297 | 339 | 399 | 539 | 602 | 718 | 760 |
| KBM 218 P | 218 | 22.2 | 27.5 | 43.6 | 71.3 | 104 | 135 | 183 | 251 | 288 | 312 | 355 | 419 | 565 | 631 | 753 | 796 |
| KBM 231 P | 231 | 23.5 | 29.1 | 46.2 | 75.6 | 110 | 143 | 194 | 266 | 305 | 330 | 377 | 444 | 599 | 668 | 797 | 844 |
| KBM 241 P | 241 | 24.5 | 30.4 | 48.2 | 78.9 | 115 | 149 | 202 | 277 | 319 | 344 | 393 | 463 | 625 | 697 | 832 | 880 |
| KBM 250 P | 250 | 25.5 | 31.5 | 50.0 | 81.8 | 120 | 155 | 210 | 287 | 331 | 357 | 408 | 480 | 648 | 723 | 863 | 913 |
| KBM 260 P | 260 | 26.5 | 32.8 | 52.0 | 85.1 | 124 | 161 | 218 | 299 | 344 | 372 | 424 | 499 | 674 | 752 | 898 | 950 |
| KBM 277 P | 277 | 28.2 | 34.9 | 55.4 | 90.6 | 132 | 172 | 232 | 318 | 366 | 396 | 452 | 532 | 718 | 801 | 956 | 1012 |
| KBM 300 P | 300 | 30.5 | 37.8 | 60.0 | 98.2 | 143 | 186 | 252 | 345 | 397 | 429 | 489 | 576 | 777 | 868 | 1036 | 1096 |
| KBM 323 P | 323 | 32.9 | 40.7 | 64.6 | 106 | 154 | 200 | 271 | 371 | 427 | 462 | 527 | 620 | 837 | 934 | 1115 | 1180 |
| KBM 346 P | 346 | 35.2 | 43.6 | 69.2 | 113 | 165 | 215 | 290 | 398 | 457 | 494 | 564 | 664 | 897 | 1001 | 1194 | 1264 |
| KBM 369 P | 369 | 37.6 | 46.5 | 73.8 | 121 | 176 | 229 | 310 | 424 | 488 | 527 | 602 | 708 | 956 | 1067 | 1274 | 1348 |
| KBM 390 P | 390 | 39.7 | 49.1 | 78.0 | 128 | 186 | 242 | 327 | 448 | 516 | 557 | 636 | 749 | 1011 | 1128 | 1346 | 1425 |
| KBM 400 P | 400 | 40.7 | 50.4 | 80.0 | 131 | 191 | 248 | 336 | 460 | 529 | 572 | 652 | 768 | 1037 | 1157 | 1381 | 1461 |
| KBM 415 P | 415 | 42.3 | 52.3 | 83.0 | 136 | 198 | 257 | 348 | 477 | 549 | 593 | 677 | 797 | 1075 | 1200 | 1433 | 1516 |
| KBM 438 P | 438 | 44.6 | 55.2 | 87.6 | 143 | 209 | 272 | 367 | 504 | 579 | 626 | 714 | 841 | 1135 | 1267 | 1512 | 1600 |
| KBM 461 P | 461 | 46.9 | 58.1 | 92.2 | 151 | 220 | 286 | 387 | 530 | 610 | 659 | 752 | 885 | 1195 | 1333 | 1591 | 1684 |
| KBM 485 P | 485 | 49.4 | 61.1 | 97.0 | 159 | 232 | 301 | 407 | 558 | 641 | 693 | 791 | 931 | 1257 | 1403 | 1674 | 1772 |

Performance data of KBM range in Amperes

After long term float charge of fully charged cells at +20°C ±5°C (+68°F ± 9°F)

Final Cell Voltage: 1.00 V

| Cell Type | C ₅ Ah | Hours | | | | | | | Minutes | | | | | Seconds | | | |
|------------|-------------------|-------|------|-----|-----|-----|-----|------|---------|------|------|------|------|---------|------|------|------|
| | | 10 | 8 | 5 | 3 | 2 | 1.5 | 1 | 30 | 20 | 15 | 10 | 5 | 60 | 30 | 5 | 1 |
| KBM 505 P | 505 | 51.4 | 63.6 | 101 | 165 | 241 | 313 | 424 | 581 | 668 | 722 | 823 | 970 | 1309 | 1461 | 1743 | 1845 |
| KBM 525 P | 525 | 53.5 | 66.2 | 105 | 172 | 251 | 326 | 440 | 604 | 694 | 750 | 856 | 1008 | 1360 | 1519 | 1812 | 1918 |
| KBM 555 P | 555 | 56.5 | 69.9 | 111 | 182 | 265 | 344 | 466 | 638 | 734 | 793 | 905 | 1066 | 1438 | 1605 | 1916 | 2028 |
| KBM 580 P | 580 | 59.1 | 73.1 | 116 | 190 | 277 | 360 | 487 | 667 | 767 | 829 | 946 | 1114 | 1503 | 1678 | 2002 | 2119 |
| KBM 600 P | 600 | 61.1 | 75.6 | 120 | 196 | 287 | 372 | 503 | 690 | 793 | 857 | 978 | 1152 | 1555 | 1735 | 2071 | 2192 |
| KBM 625 P | 625 | 63.6 | 78.8 | 125 | 204 | 299 | 388 | 524 | 719 | 826 | 893 | 1019 | 1200 | 1620 | 1808 | 2158 | 2283 |
| KBM 650 P | 650 | 66.2 | 81.9 | 130 | 213 | 311 | 403 | 545 | 747 | 859 | 929 | 1060 | 1248 | 1684 | 1880 | 2244 | 2375 |
| KBM 675 P | 675 | 68.7 | 85.1 | 135 | 221 | 323 | 419 | 566 | 776 | 892 | 965 | 1101 | 1296 | 1749 | 1952 | 2330 | 2466 |
| KBM 690 P | 690 | 70.3 | 87.0 | 138 | 226 | 330 | 428 | 579 | 793 | 912 | 986 | 1125 | 1325 | 1788 | 1996 | 2382 | 2521 |
| KBM 723 P | 723 | 73.6 | 91.1 | 145 | 237 | 346 | 448 | 607 | 831 | 956 | 1033 | 1179 | 1388 | 1874 | 2091 | 2496 | 2641 |
| KBM 740 P | 740 | 75.4 | 93.3 | 148 | 242 | 354 | 459 | 621 | 851 | 978 | 1058 | 1207 | 1421 | 1918 | 2140 | 2555 | 2703 |
| KBM 770 P | 770 | 78.4 | 97.0 | 154 | 252 | 368 | 477 | 646 | 885 | 1018 | 1100 | 1255 | 1478 | 1995 | 2227 | 2658 | 2813 |
| KBM 790 P | 790 | 80.4 | 99.6 | 158 | 258 | 378 | 490 | 663 | 908 | 1044 | 1129 | 1288 | 1517 | 2047 | 2285 | 2727 | 2886 |
| KBM 805 P | 805 | 82.0 | 101 | 161 | 263 | 385 | 499 | 675 | 926 | 1064 | 1150 | 1313 | 1546 | 2086 | 2328 | 2779 | 2941 |
| KBM 830 P | 830 | 84.5 | 105 | 166 | 272 | 397 | 515 | 696 | 954 | 1097 | 1186 | 1353 | 1594 | 2151 | 2401 | 2865 | 3032 |
| KBM 865 P | 865 | 88.1 | 109 | 173 | 283 | 413 | 536 | 726 | 995 | 1144 | 1236 | 1410 | 1661 | 2242 | 2502 | 2986 | 3160 |
| KBM 890 P | 890 | 90.6 | 112 | 178 | 291 | 425 | 552 | 747 | 1023 | 1177 | 1272 | 1451 | 1709 | 2306 | 2574 | 3072 | 3251 |
| KBM 920 P | 920 | 93.7 | 116 | 184 | 301 | 440 | 570 | 772 | 1058 | 1216 | 1315 | 1500 | 1766 | 2384 | 2661 | 3176 | 3361 |
| KBM 940 P | 940 | 95.7 | 118 | 188 | 308 | 449 | 583 | 789 | 1081 | 1243 | 1343 | 1533 | 1805 | 2436 | 2719 | 3245 | 3434 |
| KBM 965 P | 965 | 98.3 | 122 | 193 | 316 | 461 | 598 | 810 | 1110 | 1276 | 1379 | 1573 | 1853 | 2501 | 2791 | 3331 | 3525 |
| KBM 1000 P | 1000 | 102 | 126 | 200 | 327 | 478 | 620 | 839 | 1150 | 1322 | 1429 | 1630 | 1920 | 2591 | 2892 | 3452 | 3653 |
| KBM 1040 P | 1040 | 106 | 131 | 208 | 340 | 497 | 645 | 872 | 1196 | 1375 | 1486 | 1696 | 1997 | 2695 | 3008 | 3590 | 3799 |
| KBM 1080 P | 1080 | 110 | 136 | 216 | 353 | 516 | 670 | 906 | 1242 | 1428 | 1543 | 1761 | 2074 | 2799 | 3124 | 3728 | 3946 |
| KBM 1100 P | 1100 | 112 | 139 | 220 | 360 | 526 | 682 | 923 | 1265 | 1454 | 1572 | 1794 | 2112 | 2850 | 3182 | 3797 | 4019 |
| KBM 1150 P | 1150 | 117 | 145 | 230 | 376 | 550 | 713 | 965 | 1322 | 1520 | 1643 | 1875 | 2208 | 2980 | 3326 | 3970 | 4201 |
| KBM 1180 P | 1180 | 120 | 149 | 236 | 386 | 564 | 732 | 990 | 1357 | 1560 | 1686 | 1924 | 2266 | 3058 | 3413 | 4074 | 4311 |
| KBM 1220 P | 1220 | 124 | 154 | 244 | 399 | 583 | 756 | 1023 | 1403 | 1613 | 1744 | 1989 | 2342 | 3161 | 3529 | 4212 | 4457 |
| KBM 1270 P | 1270 | 129 | 160 | 254 | 416 | 607 | 787 | 1065 | 1460 | 1679 | 1815 | 2071 | 2438 | 3291 | 3673 | 4384 | 4640 |
| KBM 1320 P | 1320 | 134 | 166 | 264 | 432 | 631 | 818 | 1107 | 1518 | 1745 | 1886 | 2152 | 2534 | 3421 | 3818 | 4557 | 4822 |
| KBM 1390 P | 1390 | 142 | 175 | 278 | 455 | 664 | 862 | 1166 | 1598 | 1838 | 1986 | 2266 | 2669 | 3602 | 4021 | 4799 | 5078 |
| KBM 1445 P | 1445 | 147 | 182 | 289 | 473 | 691 | 896 | 1212 | 1661 | 1910 | 2065 | 2356 | 2774 | 3744 | 4180 | 4988 | 5279 |
| KBM 1460 P | 1460 | 149 | 184 | 292 | 478 | 698 | 905 | 1225 | 1679 | 1930 | 2086 | 2381 | 2803 | 3783 | 4223 | 5040 | 5334 |

L Range

Cell dimensions and weight details

| Cell type | Capacity (C _s Ah) | Cell dimensions in mm | | | | | Approx. weight per cell in kg | Cell connection bolt size | Container size reference | Approx. reserve electrolyte cc/cell |
|-----------|------------------------------|-----------------------|-------|------------------|-------------|-------------|-------------------------------|---------------------------|--------------------------|-------------------------------------|
| | | Height | Width | Length per block | | | | | | |
| | | | | 1.2 V L (1) | 2.4 V L (2) | 3.6 V L (3) | | | | |
| KBL 8 P | 8 | | | | | | 1.30 | | | |
| KBL 17 P | 17 | 264 | 123 | | 79 | 115 | 1.50 | M6 | B22-1 | 110 |
| KBL 23 P | 23 | | | | | | 2.00 | | | |
| KBL 34 P | 34 | 264 | 123 | | 103 | 151 | 2.10 | M6 | B23-1 | 145 |
| KBL 40 P | 40 | | | | | | 2.30 | | | |
| KBL 46 P | 46 | 264 | 123 | | 127 | 187 | 2.70 | M6 | B24-1 | 185 |
| KBL 55 P | 55 | | | | | | 2.90 | | | |
| KBL 70 P | 70 | | | | | | 4.20 | | | |
| KBL 80 P | 80 | 405 | 195 | | 79 | 115 | 4.50 | M10 | B45-1 | 280 |
| KBL 90 P | 90 | | | | | | 4.80 | | | |
| KBL 100 P | 100 | 349 | 195 | | 103 | 151 | 5.30 | M10 | B33-1 | 380 |
| KBL 112 P | 112 | 405 | 195 | | 103 | 151 | 5.80 | M10 | B43-1 | 380 |
| KBL 125 P | 125 | | | | | | 6.00 | | | |
| KBL 135 P | 135 | 405 | 195 | | 115 | 169 | 7.30 | M10 | B42A-1 | 450 |
| KBL 150 P | 150 | | | | | | 7.60 | | | |
| KBL 160 P | 160 | 405 | 195 | | 127 | 187 | 7.80 | M10 | B42-1 | 515 |
| KBL 170 P | 170 | | | | | | 8.00 | | | |
| KBL 180 P | 180 | | | | | | 8.10 | | | |
| KBL 200 P | 200 | | | | | | 9.30 | | | |
| KBL 214 P | 214 | 405 | 195 | | 159 | 232 | 9.40 | M10 | B41B-1 | 650 |
| KBL 225 P | 225 | | | | | | 9.70 | | | |
| KBL 240 P | 240 | | | | | | 10.9 | | | |
| KBL 255 P | 255 | 405 | 195 | | 183 | 268 | 11.0 | M10 | B41-1 | 745 |
| KBL 270 P | 270 | | | | | | 11.2 | | | |
| KBL 280 P | 280 | 405 | 195 | 120 | 228 | 336 | 14.0 | 2 x M10 | B42A-2 | 900 |
| KBL 300 P | 300 | | | | | | 14.0 | | | |
| KBL 320 P | 320 | 405 | 195 | 132 | 252 | 372 | 15.8 | 2 x M10 | B42-2 | 1030 |
| KBL 340 P | 340 | | | | | | 16.0 | | | |
| KBL 360 P | 360 | | | | | | 16.2 | | | |
| KBL 380 P | 380 | | | | | | 18.2 | | | |
| KBL 400 P | 400 | | | | | | 18.5 | | | |
| KBL 415 P | 415 | 405 | 195 | 159 | 304 | | 18.6 | 2 x M10 | B41B-2 | 1300 |
| KBL 435 P | 435 | | | | | | 18.9 | | | |
| KBL 450 P | 450 | | | | | | 19.1 | | | |
| KBL 460 P | 460 | | | | | | 19.2 | | | |
| KBL 480 P | 480 | | | | | | 24.6 | | | |
| KBL 500 P | 500 | 405 | 195 | 183 | 352 | | 24.7 | 2 x M10 | B41-2 | 1490 |
| KBL 510 P | 510 | | | | | | 24.8 | | | |
| KBL 550 P | 550 | | | | | | 25.5 | | | |

L Range

Cell dimensions and weight details

| Cell type | Capacity (C _s Ah) | Cell dimensions in mm | | | | | Approx. weight per cell in kg | Cell connection bolt size | Container size reference | Approx. reserve electrolyte cc/cell |
|------------|------------------------------|-----------------------|-------|------------------|-------------|-------------|-------------------------------|---------------------------|--------------------------|-------------------------------------|
| | | Height | Width | Length per block | | | | | | |
| | | | | 1.2 V L (1) | 2.4 V L (2) | 3.6 V L (3) | | | | |
| KBL 575 P | 575 | 405 | 195 | 232 | | | 27.8 | 3 x M10 | B41B-3 | 1950 |
| KBL 600 P | 600 | | | | | | 28.2 | | | |
| KBL 635 P | 635 | | | | | | 28.4 | | | |
| KBL 650 P | 650 | | | | | | 28.7 | | | |
| KBL 675 P | 675 | | | | | | 29.0 | | | |
| KBL 690 P | 690 | | | | | | 29.1 | | | |
| KBL 720 P | 720 | 405 | 195 | 268 | | | 31.8 | 3 x M10 | B41-3 | 2235 |
| KBL 750 P | 750 | | | | | | 32.2 | | | |
| KBL 770 P | 770 | | | | | | 32.4 | | | |
| KBL 800 P | 800 | | | | | | 33.1 | | | |
| KBL 830 P | 830 | | | | | | 33.5 | | | |
| KBL 860 P | 860 | | | | | | 37.7 | | | |
| KBL 890 P | 890 | 405 | 195 | 304 | | | 38.6 | 4 x M10 | B41B-4 | 2600 |
| KBL 920 P | 920 | | | | | | 38.8 | | | |
| KBL 980 P | 980 | | | | | | 42.5 | | | |
| KBL 1000 P | 1000 | 405 | 195 | 352 | | | 43.0 | 4 x M10 | B41-4 | 2980 |
| KBL 1020 P | 1020 | | | | | | 43.2 | | | |
| KBL 1060 P | 1060 | | | | | | 44.1 | | | |
| KBL 1100 P | 1100 | | | | | | 44.5 | | | |
| KBL 1125 P | 1125 | | | | | | 49.5 | | | |
| KBL 1150 P | 1150 | | | | | | 49.8 | | | |
| KBL 1200 P | 1200 | 405 | 195 | 437 | | | 53.9 | 5 x M10 | B41-5 | 3725 |
| KBL 1225 P | 1225 | | | | | | 54.1 | | | |
| KBL 1250 P | 1250 | | | | | | 54.3 | | | |
| KBL 1280 P | 1280 | | | | | | 54.6 | | | |
| KBL 1320 P | 1320 | | | | | | 55.7 | | | |
| KBL 1360 P | 1360 | | | | | | 56.1 | | | |
| KBL 1400 P | 1400 | | | | | | 56.5 | | | |
| KBL 1450 P | 1450 | | | | | | 64.5 | | | |
| KBL 1500 P | 1500 | | | | | | 64.8 | | | |
| KBL 1540 P | 1540 | | | | | | 65.2 | | | |
| KBL 1600 P | 1600 | 405 | 195 | 522 | | | 66.5 | 6 x M10 | B41-6 | 4470 |
| KBL 1660 P | 1660 | | | | | | 67.3 | | | |
| KBL 1680 P | 1680 | | | | | | 67.4 | | | |

Performance data of KBL range in Amperes

After fully charged with constant current charging at +20°C ±5°C (+68°F ± 9°F)

Final Cell Voltage: 1.14 V

| Cell Type | C ₅ Ah | Hours | | | | | | | Minutes | | | | | Seconds | | | |
|-----------|-------------------|-------|------|------|------|------|------|------|---------|------|------|------|------|---------|------|------|------|
| | | 10 | 8 | 5 | 3 | 2 | 1.5 | 1 | 30 | 20 | 15 | 10 | 5 | 60 | 30 | 5 | 1 |
| KBL 8 P | 8 | 0.79 | 0.97 | 1.51 | 2.38 | 3.07 | 3.52 | 4.08 | 5.11 | 5.76 | 6.21 | 6.88 | 7.98 | 10.5 | 11.3 | 12.2 | 13.6 |
| KBL 17 P | 17 | 1.67 | 2.06 | 3.22 | 5.05 | 6.52 | 7.48 | 8.7 | 10.9 | 12.2 | 13.2 | 14.6 | 17.0 | 22.4 | 24.0 | 25.8 | 28.9 |
| KBL 23 P | 23 | 2.26 | 2.78 | 4.35 | 6.83 | 8.82 | 10.1 | 11.7 | 14.7 | 16.6 | 17.8 | 19.8 | 23.0 | 30.3 | 32.4 | 35.0 | 39.1 |
| KBL 34 P | 34 | 3.34 | 4.11 | 6.43 | 10.1 | 13.0 | 15.0 | 17.3 | 21.7 | 24.5 | 26.4 | 29.3 | 33.9 | 44.8 | 47.9 | 51.7 | 57.9 |
| KBL 40 P | 40 | 3.93 | 4.84 | 7.57 | 11.9 | 15.3 | 17.6 | 20.4 | 25.6 | 28.8 | 31.0 | 34.4 | 39.9 | 52.7 | 56.4 | 60.8 | 68.1 |
| KBL 46 P | 46 | 4.51 | 5.57 | 8.70 | 13.7 | 17.6 | 20.2 | 23.4 | 29.4 | 33.1 | 35.7 | 39.6 | 45.9 | 60.6 | 64.8 | 69.9 | 78.3 |
| KBL 55 P | 55 | 5.40 | 6.65 | 10.4 | 16.3 | 21.1 | 24.2 | 28.0 | 35.2 | 39.6 | 42.7 | 47.3 | 54.9 | 72.5 | 77.5 | 83.6 | 93.6 |
| KBL 70 P | 70 | 6.85 | 8.46 | 13.2 | 20.8 | 26.6 | 30.4 | 35.7 | 44.1 | 49.7 | 53.1 | 58.7 | 68.7 | 89.0 | 96.6 | 104 | 105 |
| KBL 80 P | 80 | 7.83 | 9.67 | 15.1 | 23.8 | 30.4 | 34.8 | 40.8 | 50.4 | 56.8 | 60.7 | 67.1 | 78.5 | 102 | 110 | 118 | 120 |
| KBL 90 P | 90 | 8.80 | 10.9 | 17.0 | 26.7 | 34.2 | 39.1 | 45.9 | 56.7 | 63.9 | 68.3 | 75.5 | 88.3 | 114 | 124 | 133 | 135 |
| KBL 100 P | 100 | 9.78 | 12.1 | 18.9 | 29.7 | 38.4 | 44.0 | 51.0 | 64.0 | 72.0 | 77.8 | 86.0 | 100 | 131 | 141 | 152 | 170 |
| KBL 112 P | 112 | 11.0 | 13.5 | 21.2 | 33.3 | 42.6 | 48.7 | 57.1 | 70.5 | 79.5 | 85.0 | 93.9 | 110 | 142 | 155 | 166 | 168 |
| KBL 125 P | 125 | 12.2 | 15.1 | 23.6 | 37.1 | 47.5 | 54.4 | 63.7 | 78.7 | 88.8 | 94.8 | 105 | 123 | 159 | 173 | 185 | 187 |
| KBL 135 P | 135 | 13.2 | 16.3 | 25.5 | 40.1 | 51.3 | 58.7 | 68.8 | 85.0 | 95.9 | 102 | 113 | 132 | 172 | 186 | 200 | 202 |
| KBL 150 P | 150 | 14.7 | 18.1 | 28.4 | 44.5 | 57.0 | 65.2 | 76.5 | 94.5 | 107 | 114 | 126 | 147 | 191 | 207 | 222 | 225 |
| KBL 160 P | 160 | 15.7 | 19.3 | 30.2 | 47.5 | 60.8 | 69.6 | 81.6 | 101 | 114 | 121 | 134 | 157 | 203 | 221 | 237 | 240 |
| KBL 170 P | 170 | 16.6 | 20.6 | 32.1 | 50.5 | 64.6 | 73.9 | 86.7 | 107 | 121 | 129 | 143 | 167 | 216 | 235 | 252 | 255 |
| KBL 180 P | 180 | 17.6 | 21.8 | 34.0 | 53.4 | 68.4 | 78.3 | 91.8 | 113 | 128 | 137 | 151 | 177 | 229 | 249 | 266 | 270 |
| KBL 200 P | 200 | 19.6 | 24.2 | 37.8 | 59.4 | 76.0 | 87.0 | 102 | 126 | 142 | 152 | 168 | 196 | 254 | 276 | 296 | 300 |
| KBL 214 P | 214 | 20.9 | 25.9 | 40.4 | 63.5 | 81.3 | 93.1 | 109 | 135 | 152 | 162 | 180 | 210 | 272 | 295 | 317 | 321 |
| KBL 225 P | 225 | 22.0 | 27.2 | 42.5 | 66.8 | 85.5 | 97.8 | 115 | 142 | 160 | 171 | 189 | 221 | 286 | 311 | 333 | 337 |
| KBL 240 P | 240 | 23.5 | 29.0 | 45.4 | 71.3 | 91.2 | 104 | 122 | 151 | 170 | 182 | 201 | 235 | 305 | 331 | 355 | 360 |
| KBL 255 P | 255 | 24.9 | 30.8 | 48.2 | 75.7 | 96.9 | 111 | 130 | 161 | 181 | 193 | 214 | 250 | 324 | 352 | 377 | 382 |
| KBL 270 P | 270 | 26.4 | 32.6 | 51.0 | 80.2 | 103 | 117 | 138 | 170 | 192 | 205 | 226 | 265 | 343 | 373 | 399 | 405 |
| KBL 280 P | 280 | 27.4 | 33.9 | 52.9 | 83.1 | 106 | 122 | 143 | 176 | 199 | 212 | 235 | 275 | 356 | 387 | 414 | 420 |
| KBL 300 P | 300 | 29.3 | 36.3 | 56.7 | 89.1 | 114 | 130 | 153 | 189 | 213 | 228 | 252 | 294 | 381 | 414 | 444 | 450 |
| KBL 320 P | 320 | 31.3 | 38.7 | 60.5 | 95.0 | 122 | 139 | 163 | 202 | 227 | 243 | 268 | 314 | 407 | 442 | 473 | 480 |
| KBL 340 P | 340 | 33.3 | 41.1 | 64.3 | 101 | 129 | 148 | 173 | 214 | 241 | 258 | 285 | 333 | 432 | 469 | 503 | 510 |
| KBL 360 P | 360 | 35.2 | 43.5 | 68.0 | 107 | 137 | 157 | 184 | 227 | 256 | 273 | 302 | 353 | 458 | 497 | 533 | 540 |
| KBL 380 P | 380 | 37.2 | 45.9 | 71.8 | 113 | 144 | 165 | 194 | 239 | 270 | 288 | 319 | 373 | 483 | 525 | 562 | 570 |
| KBL 400 P | 400 | 39.1 | 48.4 | 75.6 | 119 | 152 | 174 | 204 | 252 | 284 | 304 | 336 | 392 | 509 | 552 | 592 | 600 |
| KBL 415 P | 415 | 40.6 | 50.2 | 78.4 | 123 | 158 | 180 | 212 | 261 | 295 | 315 | 348 | 407 | 528 | 573 | 614 | 622 |
| KBL 435 P | 435 | 42.6 | 52.6 | 82.2 | 129 | 165 | 189 | 222 | 274 | 309 | 330 | 365 | 427 | 553 | 601 | 644 | 652 |
| KBL 450 P | 450 | 44.0 | 54.4 | 85.1 | 134 | 171 | 196 | 229 | 283 | 320 | 341 | 377 | 441 | 572 | 621 | 666 | 675 |
| KBL 460 P | 460 | 45.0 | 55.6 | 86.9 | 137 | 175 | 200 | 235 | 290 | 327 | 349 | 386 | 451 | 585 | 635 | 681 | 690 |
| KBL 480 P | 480 | 47.0 | 58.0 | 90.7 | 143 | 182 | 209 | 245 | 302 | 341 | 364 | 403 | 471 | 610 | 663 | 710 | 720 |
| KBL 500 P | 500 | 48.9 | 60.5 | 94.5 | 148 | 190 | 217 | 255 | 315 | 355 | 379 | 419 | 490 | 636 | 690 | 740 | 750 |
| KBL 510 P | 510 | 49.9 | 61.7 | 96.4 | 151 | 194 | 222 | 260 | 321 | 362 | 387 | 428 | 500 | 648 | 704 | 755 | 765 |
| KBL 550 P | 550 | 53.8 | 66.5 | 104 | 163 | 209 | 239 | 280 | 346 | 391 | 417 | 461 | 539 | 699 | 759 | 814 | 825 |

Performance data of KBL range in Amperes

After fully charged with constant current charging at +20°C ±5°C (+68°F ± 9°F)

Final Cell Voltage: 1.14 V

| Cell Type | C ₅ Ah | Hours | | | | | | | Minutes | | | | | Seconds | | | |
|------------|-------------------|-------|------|-----|-----|-----|-----|-----|---------|------|------|------|------|---------|------|------|------|
| | | 10 | 8 | 5 | 3 | 2 | 1.5 | 1 | 30 | 20 | 15 | 10 | 5 | 60 | 30 | 5 | 1 |
| KBL 575 P | 575 | 56.2 | 69.5 | 109 | 171 | 219 | 250 | 293 | 362 | 408 | 436 | 482 | 564 | 731 | 794 | 851 | 862 |
| KBL 600 P | 600 | 58.7 | 72.5 | 113 | 178 | 228 | 261 | 306 | 378 | 426 | 455 | 503 | 588 | 763 | 828 | 888 | 900 |
| KBL 635 P | 635 | 62.1 | 76.8 | 120 | 189 | 241 | 276 | 324 | 400 | 451 | 482 | 533 | 623 | 807 | 877 | 939 | 952 |
| KBL 650 P | 650 | 63.6 | 78.6 | 123 | 193 | 247 | 283 | 331 | 409 | 462 | 493 | 545 | 638 | 826 | 897 | 962 | 975 |
| KBL 675 P | 675 | 66.0 | 81.6 | 128 | 200 | 257 | 294 | 344 | 425 | 479 | 512 | 566 | 662 | 858 | 932 | 999 | 1012 |
| KBL 690 P | 690 | 67.5 | 83.4 | 130 | 205 | 262 | 300 | 352 | 434 | 490 | 524 | 579 | 677 | 877 | 953 | 1021 | 1035 |
| KBL 720 P | 720 | 70.4 | 87.1 | 136 | 214 | 274 | 313 | 367 | 453 | 511 | 546 | 604 | 706 | 915 | 994 | 1065 | 1080 |
| KBL 750 P | 750 | 73.4 | 90.7 | 142 | 223 | 285 | 326 | 382 | 472 | 533 | 569 | 629 | 736 | 954 | 1036 | 1110 | 1125 |
| KBL 770 P | 770 | 75.3 | 93.1 | 146 | 229 | 293 | 335 | 393 | 485 | 547 | 584 | 646 | 755 | 979 | 1063 | 1139 | 1155 |
| KBL 800 P | 800 | 78.3 | 96.7 | 151 | 238 | 304 | 348 | 408 | 504 | 568 | 607 | 671 | 785 | 1017 | 1105 | 1184 | 1200 |
| KBL 830 P | 830 | 81.2 | 100 | 157 | 246 | 315 | 361 | 423 | 523 | 589 | 630 | 696 | 814 | 1055 | 1146 | 1228 | 1245 |
| KBL 860 P | 860 | 84.1 | 104 | 163 | 255 | 327 | 374 | 439 | 542 | 611 | 653 | 721 | 843 | 1093 | 1187 | 1272 | 1290 |
| KBL 890 P | 890 | 87.1 | 108 | 168 | 264 | 338 | 387 | 454 | 560 | 632 | 675 | 747 | 873 | 1132 | 1229 | 1317 | 1335 |
| KBL 920 P | 920 | 90.0 | 111 | 174 | 273 | 350 | 400 | 469 | 579 | 653 | 698 | 772 | 902 | 1170 | 1270 | 1361 | 1380 |
| KBL 980 P | 980 | 95.9 | 118 | 185 | 291 | 372 | 426 | 500 | 617 | 696 | 744 | 822 | 961 | 1246 | 1353 | 1450 | 1470 |
| KBL 1000 P | 1000 | 97.8 | 121 | 189 | 297 | 380 | 435 | 510 | 630 | 710 | 759 | 839 | 981 | 1271 | 1381 | 1479 | 1500 |
| KBL 1020 P | 1020 | 99.8 | 123 | 193 | 303 | 388 | 444 | 520 | 642 | 724 | 774 | 856 | 1000 | 1297 | 1408 | 1509 | 1530 |
| KBL 1060 P | 1060 | 104 | 128 | 200 | 315 | 403 | 461 | 541 | 667 | 753 | 804 | 889 | 1040 | 1348 | 1464 | 1568 | 1590 |
| KBL 1100 P | 1100 | 108 | 133 | 208 | 327 | 418 | 478 | 561 | 693 | 781 | 835 | 923 | 1079 | 1399 | 1519 | 1627 | 1650 |
| KBL 1125 P | 1125 | 110 | 136 | 213 | 334 | 428 | 489 | 574 | 708 | 799 | 854 | 944 | 1103 | 1430 | 1553 | 1664 | 1687 |
| KBL 1150 P | 1150 | 112 | 139 | 217 | 341 | 437 | 500 | 586 | 724 | 817 | 873 | 965 | 1128 | 1462 | 1588 | 1701 | 1725 |
| KBL 1200 P | 1200 | 117 | 145 | 227 | 356 | 456 | 522 | 612 | 756 | 852 | 911 | 1007 | 1177 | 1526 | 1657 | 1775 | 1800 |
| KBL 1225 P | 1225 | 120 | 148 | 232 | 364 | 466 | 533 | 625 | 771 | 870 | 929 | 1028 | 1201 | 1558 | 1691 | 1812 | 1837 |
| KBL 1250 P | 1250 | 122 | 151 | 236 | 371 | 475 | 544 | 637 | 787 | 888 | 948 | 1049 | 1226 | 1589 | 1726 | 1849 | 1875 |
| KBL 1280 P | 1280 | 125 | 155 | 242 | 380 | 486 | 557 | 653 | 806 | 909 | 971 | 1074 | 1255 | 1627 | 1767 | 1894 | 1920 |
| KBL 1320 P | 1320 | 129 | 160 | 249 | 392 | 502 | 574 | 673 | 831 | 937 | 1002 | 1107 | 1295 | 1678 | 1822 | 1953 | 1980 |
| KBL 1360 P | 1360 | 133 | 164 | 257 | 404 | 517 | 591 | 693 | 856 | 966 | 1032 | 1141 | 1334 | 1729 | 1878 | 2012 | 2040 |
| KBL 1400 P | 1400 | 137 | 169 | 265 | 416 | 532 | 609 | 714 | 882 | 994 | 1062 | 1174 | 1373 | 1780 | 1933 | 2071 | 2100 |
| KBL 1450 P | 1450 | 142 | 175 | 274 | 431 | 551 | 631 | 739 | 913 | 1030 | 1100 | 1216 | 1422 | 1844 | 2002 | 2145 | 2175 |
| KBL 1500 P | 1500 | 147 | 181 | 284 | 445 | 570 | 652 | 765 | 945 | 1065 | 1138 | 1258 | 1471 | 1907 | 2071 | 2219 | 2250 |
| KBL 1540 P | 1540 | 151 | 186 | 291 | 457 | 585 | 670 | 785 | 970 | 1093 | 1168 | 1292 | 1510 | 1958 | 2126 | 2278 | 2310 |
| KBL 1600 P | 1600 | 157 | 193 | 302 | 475 | 608 | 696 | 816 | 1008 | 1136 | 1214 | 1342 | 1569 | 2034 | 2209 | 2367 | 2400 |
| KBL 1660 P | 1660 | 162 | 201 | 314 | 493 | 631 | 722 | 846 | 1045 | 1179 | 1260 | 1392 | 1628 | 2111 | 2292 | 2456 | 2490 |
| KBL 1680 P | 1680 | 164 | 203 | 318 | 499 | 638 | 731 | 857 | 1058 | 1193 | 1275 | 1409 | 1648 | 2136 | 2320 | 2485 | 2520 |

Performance data of KBL range in Amperes

After fully charged with constant current charging at +20°C ±5°C (+68°F ± 9°F)

Final Cell Voltage: 1.10 V

| Cell Type | C ₅ Ah | Hours | | | | | | | Minutes | | | | | Seconds | | | |
|-----------|-------------------|-------|------|------|------|------|------|------|---------|------|------|------|------|---------|------|------|------|
| | | 10 | 8 | 5 | 3 | 2 | 1.5 | 1 | 30 | 20 | 15 | 10 | 5 | 60 | 30 | 5 | 1 |
| KBL 8 P | 8 | 0.80 | 0.99 | 1.55 | 2.46 | 3.41 | 4.07 | 4.81 | 5.97 | 6.81 | 7.28 | 8.00 | 9.42 | 12.0 | 13.0 | 14.0 | 15.9 |
| KBL 17 P | 17 | 1.70 | 2.10 | 3.30 | 5.23 | 7.24 | 8.65 | 10.2 | 12.7 | 14.5 | 15.5 | 17.0 | 20.0 | 25.5 | 27.7 | 29.8 | 33.7 |
| KBL 23 P | 23 | 2.30 | 2.85 | 4.46 | 7.08 | 9.80 | 11.7 | 13.8 | 17.2 | 19.6 | 20.9 | 23.0 | 27.1 | 34.5 | 37.4 | 40.4 | 45.6 |
| KBL 34 P | 34 | 3.40 | 4.21 | 6.60 | 10.5 | 14.5 | 17.3 | 20.4 | 25.4 | 28.9 | 31.0 | 34.0 | 40.0 | 51.1 | 55.4 | 59.6 | 67.4 |
| KBL 40 P | 40 | 4.00 | 4.95 | 7.76 | 12.3 | 17.0 | 20.3 | 24.0 | 29.9 | 34.0 | 36.4 | 40.0 | 47.1 | 60.1 | 65.1 | 70.2 | 79.3 |
| KBL 46 P | 46 | 4.60 | 5.69 | 8.92 | 14.2 | 19.6 | 23.4 | 27.7 | 34.4 | 39.2 | 41.9 | 46.0 | 54.2 | 69.1 | 74.9 | 80.7 | 91.2 |
| KBL 55 P | 55 | 5.50 | 6.80 | 10.7 | 16.9 | 23.4 | 28.0 | 33.1 | 41.1 | 46.8 | 50.1 | 55.0 | 64.8 | 82.6 | 89.5 | 96.5 | 109 |
| KBL 70 P | 70 | 7.00 | 8.67 | 13.6 | 21.6 | 29.7 | 35.1 | 41.3 | 51.8 | 58.2 | 62.3 | 68.7 | 81.2 | 104 | 111 | 120 | 122 |
| KBL 80 P | 80 | 8.00 | 9.90 | 15.5 | 24.6 | 33.9 | 40.2 | 47.2 | 59.2 | 66.6 | 71.2 | 78.5 | 92.8 | 118 | 127 | 138 | 139 |
| KBL 90 P | 90 | 9.00 | 11.1 | 17.4 | 27.7 | 38.2 | 45.2 | 53.1 | 66.6 | 74.9 | 80.1 | 88.3 | 104 | 133 | 143 | 155 | 157 |
| KBL 100 P | 100 | 10.0 | 12.4 | 19.4 | 30.7 | 42.7 | 50.9 | 60.0 | 74.8 | 85.2 | 91.3 | 100 | 118 | 150 | 163 | 181 | 196 |
| KBL 112 P | 112 | 11.2 | 13.9 | 21.7 | 34.5 | 47.5 | 56.2 | 66.1 | 82.9 | 93.2 | 100 | 110 | 130 | 166 | 178 | 193 | 195 |
| KBL 125 P | 125 | 12.5 | 15.5 | 24.2 | 38.5 | 53.0 | 62.8 | 73.7 | 92.5 | 104 | 111 | 123 | 145 | 185 | 199 | 215 | 217 |
| KBL 135 P | 135 | 13.5 | 16.7 | 26.1 | 41.6 | 57.3 | 67.8 | 79.6 | 99.9 | 112 | 120 | 132 | 157 | 200 | 215 | 232 | 235 |
| KBL 150 P | 150 | 15.0 | 18.6 | 29.0 | 46.2 | 63.7 | 75.3 | 88.5 | 111 | 125 | 133 | 147 | 174 | 222 | 238 | 258 | 261 |
| KBL 160 P | 160 | 16.0 | 19.8 | 31.0 | 49.3 | 67.9 | 80.3 | 94.4 | 118 | 133 | 142 | 157 | 186 | 237 | 254 | 275 | 278 |
| KBL 170 P | 170 | 17.0 | 21.0 | 32.9 | 52.3 | 72.1 | 85.3 | 100 | 126 | 141 | 151 | 167 | 197 | 252 | 270 | 293 | 296 |
| KBL 180 P | 180 | 18.0 | 22.3 | 34.9 | 55.4 | 76.4 | 90.4 | 106 | 133 | 150 | 160 | 177 | 209 | 266 | 286 | 310 | 313 |
| KBL 200 P | 200 | 20.0 | 24.8 | 38.7 | 61.6 | 84.9 | 100 | 118 | 148 | 166 | 178 | 196 | 232 | 296 | 318 | 344 | 348 |
| KBL 214 P | 214 | 21.4 | 26.5 | 41.4 | 65.9 | 90.8 | 107 | 126 | 158 | 178 | 190 | 210 | 248 | 317 | 340 | 368 | 372 |
| KBL 225 P | 225 | 22.5 | 27.9 | 43.6 | 69.3 | 95.5 | 113 | 133 | 167 | 187 | 200 | 221 | 261 | 333 | 358 | 387 | 391 |
| KBL 240 P | 240 | 24.0 | 29.7 | 46.5 | 73.9 | 102 | 120 | 142 | 178 | 200 | 214 | 235 | 278 | 355 | 382 | 413 | 417 |
| KBL 255 P | 255 | 25.5 | 31.6 | 49.4 | 78.5 | 108 | 128 | 150 | 189 | 212 | 227 | 250 | 296 | 377 | 405 | 439 | 444 |
| KBL 270 P | 270 | 27.0 | 33.4 | 52.3 | 83.1 | 115 | 136 | 159 | 200 | 225 | 240 | 265 | 313 | 400 | 429 | 465 | 470 |
| KBL 280 P | 280 | 28.0 | 34.7 | 54.2 | 86.2 | 119 | 141 | 165 | 207 | 233 | 249 | 275 | 325 | 414 | 445 | 482 | 487 |
| KBL 300 P | 300 | 30.0 | 37.1 | 58.1 | 92.4 | 127 | 151 | 177 | 222 | 250 | 267 | 294 | 348 | 444 | 477 | 516 | 522 |
| KBL 320 P | 320 | 32.0 | 39.6 | 62.0 | 98.5 | 136 | 161 | 189 | 237 | 266 | 285 | 314 | 371 | 473 | 509 | 551 | 557 |
| KBL 340 P | 340 | 34.0 | 42.1 | 65.8 | 105 | 144 | 171 | 201 | 252 | 283 | 303 | 334 | 394 | 503 | 540 | 585 | 591 |
| KBL 360 P | 360 | 36.0 | 44.6 | 69.7 | 111 | 153 | 181 | 212 | 266 | 300 | 320 | 353 | 418 | 533 | 572 | 620 | 626 |
| KBL 380 P | 380 | 38.0 | 47.0 | 73.6 | 117 | 161 | 191 | 224 | 281 | 316 | 338 | 373 | 441 | 562 | 604 | 654 | 661 |
| KBL 400 P | 400 | 40.0 | 49.5 | 77.5 | 123 | 170 | 201 | 236 | 296 | 333 | 356 | 392 | 464 | 592 | 636 | 688 | 696 |
| KBL 415 P | 415 | 41.5 | 51.4 | 80.4 | 128 | 176 | 208 | 245 | 307 | 345 | 369 | 407 | 482 | 614 | 660 | 714 | 722 |
| KBL 435 P | 435 | 43.5 | 53.9 | 84.2 | 134 | 185 | 218 | 257 | 322 | 362 | 387 | 427 | 505 | 644 | 692 | 749 | 757 |
| KBL 450 P | 450 | 45.0 | 55.7 | 87.1 | 139 | 191 | 226 | 265 | 333 | 374 | 400 | 441 | 522 | 666 | 715 | 775 | 783 |
| KBL 460 P | 460 | 46.0 | 56.9 | 89.1 | 142 | 195 | 231 | 271 | 340 | 383 | 409 | 451 | 534 | 681 | 731 | 792 | 800 |
| KBL 480 P | 480 | 48.0 | 59.4 | 92.9 | 148 | 204 | 241 | 283 | 355 | 399 | 427 | 471 | 557 | 710 | 763 | 826 | 835 |
| KBL 500 P | 500 | 50.0 | 61.9 | 96.8 | 154 | 212 | 251 | 295 | 370 | 416 | 445 | 490 | 580 | 740 | 795 | 861 | 870 |
| KBL 510 P | 510 | 51.0 | 63.1 | 98.8 | 157 | 216 | 256 | 301 | 377 | 424 | 454 | 500 | 592 | 755 | 811 | 878 | 887 |
| KBL 550 P | 550 | 55.0 | 68.1 | 107 | 169 | 233 | 276 | 324 | 407 | 458 | 489 | 540 | 638 | 814 | 874 | 947 | 957 |

Performance data of KBL range in Amperes

After fully charged with constant current charging at +20°C ±5°C (+68°F ± 9°F)

Final Cell Voltage: 1.10 V

| Cell type | C ₃ Ah | Hours | | | | | | | Minutes | | | | | Seconds | | | |
|------------|-------------------|-------|------|-----|-----|-----|-----|-----|---------|------|------|------|------|---------|------|------|------|
| | | 10 | 8 | 5 | 3 | 2 | 1.5 | 1 | 30 | 20 | 15 | 10 | 5 | 60 | 30 | 5 | 1 |
| KBL 575 P | 575 | 57.5 | 71.2 | 111 | 177 | 244 | 289 | 339 | 426 | 478 | 512 | 564 | 667 | 851 | 914 | 990 | 1000 |
| KBL 600 P | 600 | 60.0 | 74.3 | 116 | 185 | 255 | 301 | 354 | 444 | 499 | 534 | 589 | 696 | 888 | 954 | 1033 | 1044 |
| KBL 635 P | 635 | 63.5 | 78.6 | 123 | 195 | 269 | 319 | 375 | 470 | 528 | 565 | 623 | 737 | 940 | 1009 | 1093 | 1105 |
| KBL 650 P | 650 | 65.0 | 80.5 | 126 | 200 | 276 | 326 | 383 | 481 | 541 | 578 | 638 | 754 | 962 | 1033 | 1119 | 1131 |
| KBL 675 P | 675 | 67.5 | 83.6 | 131 | 208 | 286 | 339 | 398 | 500 | 562 | 601 | 662 | 783 | 999 | 1073 | 1162 | 1174 |
| KBL 690 P | 690 | 69.0 | 85.4 | 134 | 212 | 293 | 346 | 407 | 511 | 574 | 614 | 677 | 801 | 1021 | 1097 | 1188 | 1200 |
| KBL 720 P | 720 | 72.0 | 89.1 | 139 | 222 | 306 | 361 | 425 | 533 | 599 | 641 | 706 | 835 | 1065 | 1145 | 1239 | 1252 |
| KBL 750 P | 750 | 75.0 | 92.8 | 145 | 231 | 318 | 377 | 442 | 555 | 624 | 667 | 736 | 870 | 1110 | 1192 | 1291 | 1305 |
| KBL 770 P | 770 | 77.0 | 95.3 | 149 | 237 | 327 | 387 | 454 | 570 | 641 | 685 | 755 | 893 | 1139 | 1224 | 1325 | 1339 |
| KBL 800 P | 800 | 80.0 | 99.0 | 155 | 246 | 339 | 402 | 472 | 592 | 666 | 712 | 785 | 928 | 1184 | 1272 | 1377 | 1392 |
| KBL 830 P | 830 | 83.0 | 103 | 161 | 256 | 352 | 417 | 490 | 614 | 691 | 739 | 814 | 963 | 1228 | 1319 | 1429 | 1444 |
| KBL 860 P | 860 | 86.0 | 106 | 167 | 265 | 365 | 432 | 507 | 637 | 715 | 765 | 844 | 998 | 1273 | 1367 | 1480 | 1496 |
| KBL 890 P | 890 | 89.0 | 110 | 172 | 274 | 378 | 447 | 525 | 659 | 740 | 792 | 873 | 1033 | 1317 | 1415 | 1532 | 1548 |
| KBL 920 P | 920 | 92.0 | 114 | 178 | 283 | 390 | 462 | 543 | 681 | 765 | 819 | 902 | 1067 | 1361 | 1462 | 1584 | 1600 |
| KBL 980 P | 980 | 98.0 | 121 | 190 | 302 | 416 | 492 | 578 | 725 | 815 | 872 | 961 | 1137 | 1450 | 1558 | 1687 | 1705 |
| KBL 1000 P | 1000 | 100 | 124 | 194 | 308 | 424 | 502 | 590 | 740 | 832 | 890 | 981 | 1160 | 1480 | 1590 | 1721 | 1739 |
| KBL 1020 P | 1020 | 102 | 126 | 198 | 314 | 433 | 512 | 602 | 755 | 849 | 908 | 1001 | 1183 | 1509 | 1621 | 1756 | 1774 |
| KBL 1060 P | 1060 | 106 | 131 | 205 | 326 | 450 | 532 | 625 | 785 | 882 | 943 | 1040 | 1230 | 1568 | 1685 | 1825 | 1844 |
| KBL 1100 P | 1100 | 110 | 136 | 213 | 339 | 467 | 552 | 649 | 814 | 915 | 979 | 1079 | 1276 | 1628 | 1749 | 1893 | 1913 |
| KBL 1125 P | 1125 | 113 | 139 | 218 | 346 | 477 | 565 | 664 | 833 | 936 | 1001 | 1104 | 1305 | 1665 | 1788 | 1936 | 1957 |
| KBL 1150 P | 1150 | 115 | 142 | 223 | 354 | 488 | 577 | 678 | 851 | 957 | 1023 | 1128 | 1334 | 1702 | 1828 | 1979 | 2000 |
| KBL 1200 P | 1200 | 120 | 149 | 232 | 369 | 509 | 602 | 708 | 888 | 998 | 1068 | 1177 | 1392 | 1776 | 1908 | 2065 | 2087 |
| KBL 1225 P | 1225 | 123 | 152 | 237 | 377 | 520 | 615 | 723 | 907 | 1019 | 1090 | 1202 | 1421 | 1813 | 1947 | 2109 | 2131 |
| KBL 1250 P | 1250 | 125 | 155 | 242 | 385 | 530 | 628 | 737 | 925 | 1040 | 1112 | 1226 | 1450 | 1850 | 1987 | 2152 | 2174 |
| KBL 1280 P | 1280 | 128 | 158 | 248 | 394 | 543 | 643 | 755 | 947 | 1065 | 1139 | 1256 | 1485 | 1894 | 2035 | 2203 | 2226 |
| KBL 1320 P | 1320 | 132 | 163 | 256 | 406 | 560 | 663 | 779 | 977 | 1098 | 1175 | 1295 | 1532 | 1953 | 2098 | 2272 | 2296 |
| KBL 1360 P | 1360 | 136 | 168 | 263 | 419 | 577 | 683 | 802 | 1007 | 1131 | 1210 | 1334 | 1578 | 2012 | 2162 | 2341 | 2366 |
| KBL 1400 P | 1400 | 140 | 173 | 271 | 431 | 594 | 703 | 826 | 1036 | 1165 | 1246 | 1373 | 1624 | 2072 | 2226 | 2410 | 2435 |
| KBL 1450 P | 1450 | 145 | 180 | 281 | 446 | 615 | 728 | 855 | 1073 | 1206 | 1290 | 1422 | 1682 | 2146 | 2305 | 2496 | 2522 |
| KBL 1500 P | 1500 | 150 | 186 | 290 | 462 | 637 | 753 | 885 | 1110 | 1248 | 1335 | 1471 | 1740 | 2220 | 2384 | 2582 | 2609 |
| KBL 1540 P | 1540 | 154 | 191 | 298 | 474 | 654 | 773 | 908 | 1140 | 1281 | 1370 | 1511 | 1787 | 2279 | 2448 | 2651 | 2679 |
| KBL 1600 P | 1600 | 160 | 198 | 310 | 493 | 679 | 803 | 944 | 1184 | 1331 | 1424 | 1570 | 1856 | 2367 | 2543 | 2754 | 2783 |
| KBL 1660 P | 1660 | 166 | 205 | 321 | 511 | 704 | 833 | 979 | 1229 | 1381 | 1477 | 1628 | 1926 | 2456 | 2639 | 2857 | 2887 |
| KBL 1680 P | 1680 | 168 | 208 | 325 | 517 | 713 | 843 | 991 | 1243 | 1398 | 1495 | 1648 | 1949 | 2486 | 2671 | 2892 | 2922 |

Performance data of KBL range in Amperes

After fully charged with constant current charging at +20°C ±5°C (+68°F ± 9°F)

Final Cell Voltage: 1.05 V

| Cell Type | C ₅ Ah | Hours | | | | | | | Minutes | | | | | Seconds | | | |
|-----------|-------------------|-------|------|------|------|------|------|------|---------|------|------|------|------|---------|------|------|------|
| | | 10 | 8 | 5 | 3 | 2 | 1.5 | 1 | 30 | 20 | 15 | 10 | 5 | 60 | 30 | 5 | 1 |
| KBL 8 P | 8 | 0.82 | 1.01 | 1.58 | 2.54 | 3.61 | 4.48 | 5.44 | 7.05 | 7.93 | 8.55 | 9.49 | 11.0 | 14.2 | 15.4 | 16.9 | 19.0 |
| KBL 17 P | 17 | 1.73 | 2.15 | 3.37 | 5.40 | 7.68 | 9.51 | 11.6 | 15.0 | 16.9 | 18.2 | 20.2 | 23.4 | 30.1 | 32.6 | 35.9 | 40.4 |
| KBL 23 P | 23 | 2.35 | 2.90 | 4.55 | 7.31 | 10.4 | 12.9 | 15.6 | 20.3 | 22.8 | 24.6 | 27.3 | 31.7 | 40.7 | 44.2 | 48.5 | 54.6 |
| KBL 34 P | 34 | 3.47 | 4.29 | 6.73 | 10.8 | 15.4 | 19.0 | 23.1 | 30.0 | 33.7 | 36.4 | 40.3 | 46.9 | 60.2 | 65.3 | 71.7 | 80.7 |
| KBL 40 P | 40 | 4.08 | 5.05 | 7.92 | 12.7 | 18.1 | 22.4 | 27.2 | 35.3 | 39.7 | 42.8 | 47.5 | 55.2 | 70.8 | 76.8 | 84.4 | 95.0 |
| KBL 46 P | 46 | 4.69 | 5.81 | 9.11 | 14.6 | 20.8 | 25.7 | 31.3 | 40.6 | 45.6 | 49.2 | 54.6 | 63.4 | 81.5 | 88.3 | 97.1 | 109 |
| KBL 55 P | 55 | 5.61 | 6.95 | 10.9 | 17.5 | 24.8 | 30.8 | 37.4 | 48.5 | 54.6 | 58.8 | 65.3 | 75.8 | 97.4 | 106 | 116 | 131 |
| KBL 70 P | 70 | 7.15 | 8.89 | 13.9 | 22.2 | 31.5 | 39.1 | 47.8 | 60.3 | 68.0 | 73.5 | 81.8 | 94.7 | 120 | 130 | 146 | 155 |
| KBL 80 P | 80 | 8.17 | 10.2 | 15.8 | 25.4 | 36.0 | 44.6 | 54.6 | 68.9 | 77.7 | 84.0 | 93.5 | 108 | 138 | 149 | 166 | 177 |
| KBL 90 P | 90 | 9.20 | 11.4 | 17.8 | 28.6 | 40.5 | 50.2 | 61.4 | 77.5 | 87.4 | 94.5 | 105 | 122 | 155 | 167 | 187 | 199 |
| KBL 100 P | 100 | 10.2 | 12.6 | 19.8 | 31.9 | 45.1 | 56.0 | 69.0 | 88.2 | 99.1 | 108 | 120 | 138 | 177 | 192 | 210 | 231 |
| KBL 112 P | 112 | 11.4 | 14.2 | 22.2 | 35.6 | 50.4 | 62.5 | 76.4 | 96.5 | 109 | 118 | 131 | 152 | 193 | 208 | 233 | 247 |
| KBL 125 P | 125 | 12.8 | 15.9 | 24.8 | 39.7 | 56.3 | 69.8 | 85.3 | 108 | 121 | 131 | 146 | 169 | 215 | 232 | 260 | 276 |
| KBL 135 P | 135 | 13.8 | 17.1 | 26.7 | 42.9 | 60.8 | 75.3 | 92.1 | 116 | 131 | 142 | 158 | 183 | 232 | 251 | 281 | 298 |
| KBL 150 P | 150 | 15.3 | 19.0 | 29.7 | 47.6 | 67.5 | 83.7 | 102 | 129 | 146 | 158 | 175 | 203 | 258 | 279 | 312 | 331 |
| KBL 160 P | 160 | 16.3 | 20.3 | 31.7 | 50.8 | 72.0 | 89.3 | 109 | 138 | 155 | 168 | 187 | 216 | 275 | 298 | 333 | 353 |
| KBL 170 P | 170 | 17.4 | 21.6 | 33.7 | 54.0 | 76.5 | 94.9 | 116 | 146 | 165 | 179 | 199 | 230 | 293 | 316 | 353 | 375 |
| KBL 180 P | 180 | 18.4 | 22.9 | 35.6 | 57.2 | 81.0 | 100 | 123 | 155 | 175 | 189 | 210 | 243 | 310 | 335 | 374 | 397 |
| KBL 200 P | 200 | 20.4 | 25.4 | 39.6 | 63.5 | 90.0 | 112 | 136 | 172 | 194 | 210 | 234 | 271 | 344 | 372 | 416 | 441 |
| KBL 214 P | 214 | 21.9 | 27.2 | 42.4 | 68.0 | 96.3 | 119 | 146 | 184 | 208 | 225 | 250 | 289 | 368 | 398 | 445 | 472 |
| KBL 225 P | 225 | 23.0 | 28.6 | 44.6 | 71.5 | 101 | 126 | 153 | 194 | 218 | 236 | 263 | 304 | 387 | 418 | 468 | 497 |
| KBL 240 P | 240 | 24.5 | 30.5 | 47.5 | 76.2 | 108 | 134 | 164 | 207 | 233 | 252 | 280 | 325 | 413 | 446 | 499 | 530 |
| KBL 255 P | 255 | 26.1 | 32.4 | 50.5 | 81.0 | 115 | 142 | 174 | 220 | 248 | 268 | 298 | 345 | 439 | 474 | 530 | 563 |
| KBL 270 P | 270 | 27.6 | 34.3 | 53.5 | 85.8 | 122 | 151 | 184 | 233 | 262 | 284 | 315 | 365 | 465 | 502 | 561 | 596 |
| KBL 280 P | 280 | 28.6 | 35.5 | 55.5 | 88.9 | 126 | 156 | 191 | 241 | 272 | 294 | 327 | 379 | 482 | 521 | 582 | 618 |
| KBL 300 P | 300 | 30.7 | 38.1 | 59.4 | 95.3 | 135 | 167 | 205 | 258 | 291 | 315 | 351 | 406 | 516 | 558 | 624 | 662 |
| KBL 320 P | 320 | 32.7 | 40.6 | 63.4 | 102 | 144 | 179 | 218 | 276 | 311 | 336 | 374 | 433 | 551 | 595 | 665 | 706 |
| KBL 340 P | 340 | 34.7 | 43.2 | 67.3 | 108 | 153 | 190 | 232 | 293 | 330 | 357 | 397 | 460 | 585 | 632 | 707 | 751 |
| KBL 360 P | 360 | 36.8 | 45.7 | 71.3 | 114 | 162 | 201 | 246 | 310 | 349 | 378 | 421 | 487 | 620 | 670 | 748 | 795 |
| KBL 380 P | 380 | 38.8 | 48.2 | 75.3 | 121 | 171 | 212 | 259 | 327 | 369 | 399 | 444 | 514 | 654 | 707 | 790 | 839 |
| KBL 400 P | 400 | 40.9 | 50.8 | 79.2 | 127 | 180 | 223 | 273 | 345 | 388 | 420 | 467 | 541 | 688 | 744 | 832 | 883 |
| KBL 415 P | 415 | 42.4 | 52.7 | 82.2 | 132 | 187 | 232 | 283 | 358 | 403 | 436 | 485 | 561 | 714 | 772 | 863 | 916 |
| KBL 435 P | 435 | 44.4 | 55.2 | 86.1 | 138 | 196 | 243 | 297 | 375 | 422 | 457 | 508 | 588 | 749 | 809 | 904 | 960 |
| KBL 450 P | 450 | 46.0 | 57.1 | 89.1 | 143 | 203 | 251 | 307 | 388 | 437 | 473 | 526 | 609 | 774 | 837 | 936 | 993 |
| KBL 460 P | 460 | 47.0 | 58.4 | 91.1 | 146 | 207 | 257 | 314 | 396 | 447 | 483 | 538 | 622 | 792 | 855 | 956 | 1015 |
| KBL 480 P | 480 | 49.0 | 60.9 | 95.1 | 152 | 216 | 268 | 327 | 414 | 466 | 504 | 561 | 649 | 826 | 893 | 998 | 1060 |
| KBL 500 P | 500 | 51.1 | 63.5 | 99.0 | 159 | 225 | 279 | 341 | 431 | 485 | 525 | 584 | 676 | 860 | 930 | 1039 | 1104 |
| KBL 510 P | 510 | 52.1 | 64.7 | 101 | 162 | 230 | 285 | 348 | 439 | 495 | 536 | 596 | 690 | 878 | 948 | 1060 | 1126 |
| KBL 550 P | 550 | 56.2 | 69.8 | 109 | 175 | 248 | 307 | 375 | 474 | 534 | 578 | 643 | 744 | 947 | 1023 | 1143 | 1214 |

Performance data of KBL range in Amperes

After fully charged with constant current charging at +20°C ±5°C (+68°F ± 9°F)

Final Cell Voltage: 1.05 V

| Cell type | C ₅ Ah | Hours | | | | | | | Minutes | | | | | Seconds | | | |
|------------|-------------------|-------|------|-----|-----|-----|-----|------|---------|------|------|------|------|---------|------|------|------|
| | | 10 | 8 | 5 | 3 | 2 | 1.5 | 1 | 30 | 20 | 15 | 10 | 5 | 60 | 30 | 5 | 1 |
| KBL 575 P | 575 | 58.8 | 73.0 | 114 | 183 | 259 | 321 | 392 | 495 | 558 | 604 | 672 | 778 | 990 | 1069 | 1195 | 1269 |
| KBL 600 P | 600 | 61.3 | 76.2 | 119 | 191 | 270 | 335 | 409 | 517 | 582 | 630 | 701 | 812 | 1033 | 1116 | 1247 | 1324 |
| KBL 635 P | 635 | 64.9 | 80.6 | 126 | 202 | 286 | 354 | 433 | 547 | 616 | 667 | 742 | 859 | 1093 | 1181 | 1320 | 1402 |
| KBL 650 P | 650 | 66.4 | 82.5 | 129 | 206 | 293 | 363 | 443 | 560 | 631 | 683 | 760 | 879 | 1119 | 1209 | 1351 | 1435 |
| KBL 675 P | 675 | 69.0 | 85.7 | 134 | 214 | 304 | 377 | 460 | 581 | 655 | 709 | 789 | 913 | 1162 | 1255 | 1403 | 1490 |
| KBL 690 P | 690 | 70.5 | 87.6 | 137 | 219 | 311 | 385 | 471 | 594 | 670 | 725 | 806 | 933 | 1187 | 1283 | 1434 | 1523 |
| KBL 720 P | 720 | 73.6 | 91.4 | 143 | 229 | 324 | 402 | 491 | 620 | 699 | 756 | 841 | 974 | 1239 | 1339 | 1497 | 1589 |
| KBL 750 P | 750 | 76.6 | 95.2 | 149 | 238 | 338 | 419 | 512 | 646 | 728 | 788 | 876 | 1015 | 1291 | 1395 | 1559 | 1656 |
| KBL 770 P | 770 | 78.7 | 97.8 | 152 | 245 | 347 | 430 | 525 | 663 | 747 | 809 | 900 | 1042 | 1325 | 1432 | 1601 | 1700 |
| KBL 800 P | 800 | 81.7 | 102 | 158 | 254 | 360 | 446 | 546 | 689 | 777 | 840 | 935 | 1082 | 1377 | 1488 | 1663 | 1766 |
| KBL 830 P | 830 | 84.8 | 105 | 164 | 264 | 374 | 463 | 566 | 715 | 806 | 872 | 970 | 1123 | 1428 | 1544 | 1726 | 1832 |
| KBL 860 P | 860 | 87.9 | 109 | 170 | 273 | 387 | 480 | 587 | 741 | 835 | 903 | 1005 | 1163 | 1480 | 1599 | 1788 | 1898 |
| KBL 890 P | 890 | 90.9 | 113 | 176 | 283 | 401 | 497 | 607 | 767 | 864 | 935 | 1040 | 1204 | 1532 | 1655 | 1850 | 1965 |
| KBL 920 P | 920 | 94.0 | 117 | 182 | 292 | 414 | 513 | 628 | 793 | 893 | 966 | 1075 | 1244 | 1583 | 1711 | 1913 | 2031 |
| KBL 980 P | 980 | 100 | 124 | 194 | 311 | 441 | 547 | 669 | 844 | 951 | 1029 | 1145 | 1326 | 1687 | 1823 | 2037 | 2163 |
| KBL 1000 P | 1000 | 102 | 127 | 198 | 318 | 450 | 558 | 682 | 861 | 971 | 1050 | 1169 | 1353 | 1721 | 1860 | 2079 | 2207 |
| KBL 1020 P | 1020 | 104 | 129 | 202 | 324 | 459 | 569 | 696 | 879 | 990 | 1071 | 1192 | 1380 | 1755 | 1897 | 2121 | 2252 |
| KBL 1060 P | 1060 | 108 | 135 | 210 | 337 | 477 | 592 | 723 | 913 | 1029 | 1113 | 1239 | 1434 | 1824 | 1971 | 2204 | 2340 |
| KBL 1100 P | 1100 | 112 | 140 | 218 | 349 | 495 | 614 | 750 | 948 | 1068 | 1155 | 1285 | 1488 | 1893 | 2046 | 2287 | 2428 |
| KBL 1125 P | 1125 | 115 | 143 | 223 | 357 | 506 | 628 | 767 | 969 | 1092 | 1181 | 1315 | 1522 | 1936 | 2092 | 2339 | 2483 |
| KBL 1150 P | 1150 | 118 | 146 | 228 | 365 | 518 | 642 | 785 | 991 | 1116 | 1208 | 1344 | 1556 | 1979 | 2139 | 2391 | 2539 |
| KBL 1200 P | 1200 | 123 | 152 | 238 | 381 | 540 | 670 | 819 | 1034 | 1165 | 1260 | 1402 | 1623 | 2065 | 2232 | 2495 | 2649 |
| KBL 1225 P | 1225 | 125 | 156 | 243 | 389 | 552 | 684 | 836 | 1055 | 1189 | 1286 | 1431 | 1657 | 2108 | 2278 | 2547 | 2704 |
| KBL 1250 P | 1250 | 128 | 159 | 248 | 397 | 563 | 698 | 853 | 1077 | 1213 | 1313 | 1461 | 1691 | 2151 | 2325 | 2599 | 2759 |
| KBL 1280 P | 1280 | 131 | 163 | 253 | 407 | 576 | 714 | 873 | 1103 | 1243 | 1344 | 1496 | 1731 | 2203 | 2380 | 2661 | 2825 |
| KBL 1320 P | 1320 | 135 | 168 | 261 | 419 | 594 | 737 | 901 | 1137 | 1281 | 1386 | 1542 | 1786 | 2272 | 2455 | 2744 | 2914 |
| KBL 1360 P | 1360 | 139 | 173 | 269 | 432 | 612 | 759 | 928 | 1172 | 1320 | 1428 | 1589 | 1840 | 2340 | 2529 | 2827 | 3002 |
| KBL 1400 P | 1400 | 143 | 178 | 277 | 445 | 630 | 781 | 955 | 1206 | 1359 | 1470 | 1636 | 1894 | 2409 | 2604 | 2911 | 3090 |
| KBL 1450 P | 1450 | 148 | 184 | 287 | 461 | 653 | 809 | 989 | 1249 | 1408 | 1523 | 1694 | 1961 | 2495 | 2697 | 3015 | 3201 |
| KBL 1500 P | 1500 | 153 | 190 | 297 | 476 | 675 | 837 | 1023 | 1292 | 1456 | 1575 | 1753 | 2029 | 2581 | 2790 | 3118 | 3311 |
| KBL 1540 P | 1540 | 157 | 196 | 305 | 489 | 693 | 859 | 1051 | 1327 | 1495 | 1617 | 1800 | 2083 | 2650 | 2864 | 3202 | 3399 |
| KBL 1600 P | 1600 | 163 | 203 | 317 | 508 | 720 | 893 | 1092 | 1378 | 1553 | 1680 | 1870 | 2164 | 2753 | 2976 | 3326 | 3532 |
| KBL 1660 P | 1660 | 170 | 211 | 329 | 527 | 747 | 926 | 1132 | 1430 | 1611 | 1743 | 1940 | 2245 | 2857 | 3087 | 3451 | 3664 |
| KBL 1680 P | 1680 | 172 | 213 | 333 | 534 | 756 | 938 | 1146 | 1447 | 1631 | 1764 | 1963 | 2273 | 2891 | 3124 | 3493 | 3708 |

Performance data of KBL range in Amperes

After fully charged with constant current charging at +20°C ±5°C (+68°F ± 9°F)

Final Cell Voltage: 1.00 V

| Cell Type | C ₅ Ah | Hours | | | | | | | Minutes | | | | | Seconds | | | |
|-----------|-------------------|-------|------|------|------|------|------|------|---------|------|------|------|------|---------|------|------|------|
| | | 10 | 8 | 5 | 3 | 2 | 1.5 | 1 | 30 | 20 | 15 | 10 | 5 | 60 | 30 | 5 | 1 |
| KBL 8 P | 8 | 0.82 | 1.02 | 1.60 | 2.59 | 3.72 | 4.70 | 6.16 | 7.93 | 9.06 | 9.78 | 10.9 | 12.6 | 16.3 | 17.6 | 20.4 | 23.0 |
| KBL 17 P | 17 | 1.74 | 2.17 | 3.40 | 5.51 | 7.91 | 9.99 | 13.1 | 16.9 | 19.3 | 20.8 | 23.2 | 26.8 | 34.6 | 37.4 | 43.3 | 48.9 |
| KBL 23 P | 23 | 2.36 | 2.93 | 4.60 | 7.45 | 10.7 | 13.5 | 17.7 | 22.8 | 26.1 | 28.1 | 31.3 | 36.3 | 46.8 | 50.6 | 58.6 | 66.1 |
| KBL 34 P | 34 | 3.49 | 4.33 | 6.80 | 11.0 | 15.8 | 20.0 | 26.2 | 33.7 | 38.5 | 41.6 | 46.3 | 53.6 | 69.2 | 74.8 | 86.7 | 97.7 |
| KBL 40 P | 40 | 4.10 | 5.10 | 8.00 | 13.0 | 18.6 | 23.5 | 30.8 | 39.7 | 45.3 | 48.9 | 54.5 | 63.1 | 81.4 | 88.0 | 102 | 115 |
| KBL 46 P | 46 | 4.72 | 5.86 | 9.20 | 14.9 | 21.4 | 27.0 | 35.4 | 45.6 | 52.1 | 56.3 | 62.7 | 72.5 | 93.6 | 101 | 117 | 132 |
| KBL 55 P | 55 | 5.64 | 7.01 | 11.0 | 17.8 | 25.6 | 32.3 | 42.4 | 54.6 | 62.3 | 67.3 | 75.0 | 86.7 | 112 | 121 | 140 | 158 |
| KBL 70 P | 70 | 7.22 | 8.92 | 14.0 | 22.7 | 32.5 | 41.0 | 52.6 | 68.0 | 77.7 | 84.0 | 93.1 | 107 | 138 | 149 | 168 | 174 |
| KBL 80 P | 80 | 8.26 | 10.2 | 16.0 | 25.9 | 37.1 | 46.8 | 60.1 | 77.7 | 88.8 | 96.0 | 106 | 122 | 158 | 170 | 192 | 199 |
| KBL 90 P | 90 | 9.29 | 11.5 | 18.0 | 29.1 | 41.8 | 52.7 | 67.6 | 87.4 | 99.9 | 108 | 120 | 138 | 177 | 192 | 216 | 223 |
| KBL 100 P | 100 | 10.3 | 12.7 | 20.0 | 32.4 | 46.5 | 58.8 | 77.0 | 99.1 | 114 | 122 | 136 | 157 | 202 | 220 | 245 | 265 |
| KBL 112 P | 112 | 11.6 | 14.3 | 22.4 | 36.2 | 52.0 | 65.6 | 84.1 | 109 | 124 | 134 | 149 | 171 | 221 | 238 | 269 | 278 |
| KBL 125 P | 125 | 12.9 | 15.9 | 25.0 | 40.5 | 58.0 | 73.2 | 93.9 | 121 | 139 | 150 | 166 | 191 | 246 | 266 | 300 | 310 |
| KBL 135 P | 135 | 13.9 | 17.2 | 27.0 | 43.7 | 62.7 | 79.0 | 101 | 131 | 150 | 162 | 180 | 207 | 266 | 287 | 324 | 335 |
| KBL 150 P | 150 | 15.5 | 19.1 | 30.0 | 48.5 | 69.6 | 87.8 | 113 | 146 | 166 | 180 | 199 | 230 | 296 | 319 | 360 | 372 |
| KBL 160 P | 160 | 16.5 | 20.4 | 32.0 | 51.8 | 74.3 | 93.7 | 120 | 155 | 178 | 192 | 213 | 245 | 315 | 341 | 384 | 397 |
| KBL 170 P | 170 | 17.5 | 21.7 | 34.0 | 55.0 | 78.9 | 99.5 | 128 | 165 | 189 | 204 | 226 | 260 | 335 | 362 | 408 | 422 |
| KBL 180 P | 180 | 18.6 | 22.9 | 36.0 | 58.3 | 83.5 | 105 | 135 | 175 | 200 | 216 | 239 | 276 | 355 | 383 | 432 | 447 |
| KBL 200 P | 200 | 20.6 | 25.5 | 40.0 | 64.7 | 92.8 | 117 | 150 | 194 | 222 | 240 | 266 | 306 | 394 | 426 | 480 | 496 |
| KBL 214 P | 214 | 22.1 | 27.3 | 42.8 | 69.3 | 99.3 | 125 | 161 | 208 | 238 | 257 | 285 | 328 | 422 | 456 | 514 | 531 |
| KBL 225 P | 225 | 23.2 | 28.7 | 45.0 | 72.8 | 104 | 132 | 169 | 218 | 250 | 270 | 299 | 344 | 444 | 479 | 540 | 558 |
| KBL 240 P | 240 | 24.8 | 30.6 | 48.0 | 77.7 | 111 | 140 | 180 | 233 | 266 | 288 | 319 | 367 | 473 | 511 | 576 | 596 |
| KBL 255 P | 255 | 26.3 | 32.5 | 51.0 | 82.5 | 118 | 149 | 192 | 248 | 283 | 306 | 339 | 390 | 503 | 543 | 612 | 633 |
| KBL 270 P | 270 | 27.9 | 34.4 | 54.0 | 87.4 | 125 | 158 | 203 | 262 | 300 | 324 | 359 | 413 | 532 | 575 | 648 | 670 |
| KBL 280 P | 280 | 28.9 | 35.7 | 56.0 | 90.6 | 130 | 164 | 210 | 272 | 311 | 336 | 372 | 429 | 552 | 596 | 672 | 695 |
| KBL 300 P | 300 | 31.0 | 38.2 | 60.0 | 97.1 | 139 | 176 | 225 | 291 | 333 | 360 | 399 | 459 | 591 | 639 | 720 | 744 |
| KBL 320 P | 320 | 33.0 | 40.8 | 64.0 | 104 | 149 | 187 | 240 | 311 | 355 | 384 | 426 | 490 | 631 | 681 | 768 | 794 |
| KBL 340 P | 340 | 35.1 | 43.3 | 68.0 | 110 | 158 | 199 | 255 | 330 | 377 | 408 | 452 | 521 | 670 | 724 | 816 | 844 |
| KBL 360 P | 360 | 37.1 | 45.9 | 72.0 | 117 | 167 | 211 | 270 | 350 | 400 | 432 | 479 | 551 | 710 | 766 | 864 | 893 |
| KBL 380 P | 380 | 39.2 | 48.4 | 76.0 | 123 | 176 | 222 | 285 | 369 | 422 | 456 | 505 | 582 | 749 | 809 | 912 | 943 |
| KBL 400 P | 400 | 41.3 | 51.0 | 80.0 | 129 | 186 | 234 | 300 | 388 | 444 | 480 | 532 | 612 | 789 | 852 | 960 | 993 |
| KBL 415 P | 415 | 42.8 | 52.9 | 83.0 | 134 | 193 | 243 | 312 | 403 | 461 | 498 | 552 | 635 | 818 | 883 | 996 | 1030 |
| KBL 435 P | 435 | 44.9 | 55.4 | 87.0 | 141 | 202 | 255 | 327 | 422 | 483 | 522 | 578 | 666 | 858 | 926 | 1044 | 1080 |
| KBL 450 P | 450 | 46.4 | 57.3 | 90.0 | 146 | 209 | 263 | 338 | 437 | 499 | 540 | 598 | 689 | 887 | 958 | 1080 | 1117 |
| KBL 460 P | 460 | 47.5 | 58.6 | 92.0 | 149 | 213 | 269 | 345 | 447 | 511 | 552 | 612 | 704 | 907 | 979 | 1104 | 1142 |
| KBL 480 P | 480 | 49.5 | 61.1 | 96.0 | 155 | 223 | 281 | 361 | 466 | 533 | 576 | 638 | 735 | 946 | 1022 | 1152 | 1191 |
| KBL 500 P | 500 | 51.6 | 63.7 | 100 | 162 | 232 | 293 | 376 | 486 | 555 | 600 | 665 | 766 | 986 | 1064 | 1200 | 1241 |
| KBL 510 P | 510 | 52.6 | 65.0 | 102 | 165 | 237 | 299 | 383 | 495 | 566 | 612 | 678 | 781 | 1005 | 1086 | 1224 | 1266 |
| KBL 550 P | 550 | 56.8 | 70.1 | 110 | 178 | 255 | 322 | 413 | 534 | 610 | 660 | 731 | 842 | 1084 | 1171 | 1320 | 1365 |

Performance data of KBL range in Amperes

After fully charged with constant current charging at +20°C ±5°C (+68°F ± 9°F)

Final Cell Voltage: 1.00 V

| Cell Type | C ₅ Ah | Hours | | | | | | | Minutes | | | | | Seconds | | | |
|------------|-------------------|-------|------|-----|-----|-----|-----|------|---------|------|------|------|------|---------|------|------|------|
| | | 10 | 8 | 5 | 3 | 2 | 1.5 | 1 | 30 | 20 | 15 | 10 | 5 | 60 | 30 | 5 | 1 |
| KBL 575 P | 575 | 59.3 | 73.3 | 115 | 186 | 267 | 337 | 432 | 558 | 638 | 690 | 765 | 880 | 1134 | 1224 | 1380 | 1427 |
| KBL 600 P | 600 | 61.9 | 76.4 | 120 | 194 | 278 | 351 | 451 | 583 | 666 | 720 | 798 | 919 | 1183 | 1277 | 1440 | 1489 |
| KBL 635 P | 635 | 65.5 | 80.9 | 127 | 206 | 295 | 372 | 477 | 617 | 705 | 762 | 844 | 972 | 1252 | 1352 | 1524 | 1576 |
| KBL 650 P | 650 | 67.1 | 82.8 | 130 | 210 | 302 | 380 | 488 | 631 | 721 | 780 | 864 | 995 | 1281 | 1384 | 1560 | 1613 |
| KBL 675 P | 675 | 69.7 | 86.0 | 135 | 218 | 313 | 395 | 507 | 655 | 749 | 810 | 898 | 1033 | 1331 | 1437 | 1620 | 1675 |
| KBL 690 P | 690 | 71.2 | 87.9 | 138 | 223 | 320 | 404 | 518 | 670 | 766 | 828 | 918 | 1056 | 1360 | 1469 | 1656 | 1712 |
| KBL 720 P | 720 | 74.3 | 91.7 | 144 | 233 | 334 | 421 | 541 | 699 | 799 | 864 | 957 | 1102 | 1419 | 1533 | 1728 | 1787 |
| KBL 750 P | 750 | 77.4 | 95.5 | 150 | 243 | 348 | 439 | 563 | 728 | 832 | 900 | 997 | 1148 | 1479 | 1597 | 1800 | 1861 |
| KBL 770 P | 770 | 79.5 | 98.1 | 154 | 249 | 357 | 451 | 578 | 748 | 855 | 924 | 1024 | 1179 | 1518 | 1639 | 1848 | 1911 |
| KBL 800 P | 800 | 82.6 | 102 | 160 | 259 | 371 | 468 | 601 | 777 | 888 | 960 | 1064 | 1225 | 1577 | 1703 | 1920 | 1985 |
| KBL 830 P | 830 | 85.6 | 106 | 166 | 269 | 385 | 486 | 623 | 806 | 921 | 996 | 1104 | 1271 | 1636 | 1767 | 1992 | 2060 |
| KBL 860 P | 860 | 88.7 | 110 | 172 | 278 | 399 | 503 | 646 | 835 | 954 | 1032 | 1144 | 1317 | 1695 | 1831 | 2064 | 2134 |
| KBL 890 P | 890 | 91.8 | 113 | 178 | 288 | 413 | 521 | 668 | 864 | 988 | 1068 | 1183 | 1363 | 1755 | 1895 | 2136 | 2209 |
| KBL 920 P | 920 | 94.9 | 117 | 184 | 298 | 427 | 539 | 691 | 893 | 1021 | 1104 | 1223 | 1409 | 1814 | 1958 | 2208 | 2283 |
| KBL 980 P | 980 | 101 | 125 | 196 | 317 | 455 | 574 | 736 | 952 | 1088 | 1176 | 1303 | 1500 | 1932 | 2086 | 2352 | 2432 |
| KBL 1000 P | 1000 | 103 | 127 | 200 | 324 | 464 | 585 | 751 | 971 | 1110 | 1200 | 1330 | 1531 | 1971 | 2129 | 2400 | 2482 |
| KBL 1020 P | 1020 | 105 | 130 | 204 | 330 | 473 | 597 | 766 | 990 | 1132 | 1224 | 1356 | 1562 | 2011 | 2171 | 2448 | 2531 |
| KBL 1060 P | 1060 | 109 | 135 | 212 | 343 | 492 | 620 | 796 | 1029 | 1176 | 1272 | 1410 | 1623 | 2090 | 2257 | 2544 | 2631 |
| KBL 1100 P | 1100 | 114 | 140 | 220 | 356 | 510 | 644 | 826 | 1068 | 1221 | 1320 | 1463 | 1684 | 2169 | 2342 | 2640 | 2730 |
| KBL 1125 P | 1125 | 116 | 143 | 225 | 364 | 522 | 659 | 845 | 1092 | 1249 | 1350 | 1496 | 1722 | 2218 | 2395 | 2700 | 2792 |
| KBL 1150 P | 1150 | 119 | 147 | 230 | 372 | 534 | 673 | 864 | 1117 | 1276 | 1380 | 1529 | 1761 | 2267 | 2448 | 2760 | 2854 |
| KBL 1200 P | 1200 | 124 | 153 | 240 | 388 | 557 | 702 | 901 | 1165 | 1332 | 1440 | 1596 | 1837 | 2366 | 2555 | 2880 | 2978 |
| KBL 1225 P | 1225 | 126 | 156 | 245 | 396 | 568 | 717 | 920 | 1190 | 1360 | 1470 | 1629 | 1876 | 2415 | 2608 | 2940 | 3040 |
| KBL 1250 P | 1250 | 129 | 159 | 250 | 405 | 580 | 732 | 939 | 1214 | 1387 | 1500 | 1662 | 1914 | 2464 | 2661 | 3000 | 3102 |
| KBL 1280 P | 1280 | 132 | 163 | 256 | 414 | 594 | 749 | 961 | 1243 | 1421 | 1536 | 1702 | 1960 | 2523 | 2725 | 3072 | 3176 |
| KBL 1320 P | 1320 | 136 | 168 | 264 | 427 | 613 | 773 | 991 | 1282 | 1465 | 1584 | 1755 | 2021 | 2602 | 2810 | 3168 | 3276 |
| KBL 1360 P | 1360 | 140 | 173 | 272 | 440 | 631 | 796 | 1021 | 1321 | 1509 | 1632 | 1808 | 2082 | 2681 | 2895 | 3264 | 3375 |
| KBL 1400 P | 1400 | 144 | 178 | 280 | 453 | 650 | 820 | 1051 | 1359 | 1554 | 1680 | 1862 | 2143 | 2760 | 2980 | 3360 | 3474 |
| KBL 1450 P | 1450 | 150 | 185 | 290 | 469 | 673 | 849 | 1089 | 1408 | 1609 | 1740 | 1928 | 2220 | 2859 | 3087 | 3480 | 3598 |
| KBL 1500 P | 1500 | 155 | 191 | 300 | 485 | 696 | 878 | 1127 | 1457 | 1665 | 1800 | 1995 | 2297 | 2957 | 3193 | 3600 | 3722 |
| KBL 1540 P | 1540 | 159 | 196 | 308 | 498 | 715 | 901 | 1157 | 1495 | 1709 | 1848 | 2048 | 2358 | 3036 | 3278 | 3696 | 3822 |
| KBL 1600 P | 1600 | 165 | 204 | 320 | 518 | 743 | 937 | 1202 | 1554 | 1776 | 1921 | 2128 | 2450 | 3154 | 3406 | 3840 | 3971 |
| KBL 1660 P | 1660 | 171 | 211 | 332 | 537 | 770 | 972 | 1247 | 1612 | 1842 | 1993 | 2207 | 2542 | 3273 | 3534 | 3984 | 4119 |
| KBL 1680 P | 1680 | 173 | 214 | 336 | 544 | 780 | 983 | 1262 | 1631 | 1865 | 2017 | 2234 | 2572 | 3312 | 3576 | 4032 | 4169 |

Performance data of KBL range in Amperes

After long term float charge of fully charged cells at +20°C ±5°C (+68°F ± 9°F)

Final Cell Voltage: 1.14 V

| Cell Type | C ₅ Ah | Hours | | | | | | | Minutes | | | | | Seconds | | | |
|-----------|-------------------|-------|------|------|------|------|------|------|---------|------|------|------|------|---------|------|------|------|
| | | 10 | 8 | 5 | 3 | 2 | 1.5 | 1 | 30 | 20 | 15 | 10 | 5 | 60 | 30 | 5 | 1 |
| KBL 8 P | 8 | 0.79 | 0.97 | 1.51 | 2.27 | 2.67 | 2.91 | 3.15 | 4.04 | 4.55 | 4.90 | 5.18 | 5.96 | 7.60 | 8.80 | 11.5 | 13.2 |
| KBL 17 P | 17 | 1.67 | 2.06 | 3.21 | 4.82 | 5.67 | 6.18 | 6.70 | 8.59 | 9.67 | 10.4 | 11.0 | 12.7 | 16.1 | 18.7 | 24.5 | 28.1 |
| KBL 23 P | 23 | 2.26 | 2.78 | 4.34 | 6.52 | 7.66 | 8.36 | 9.07 | 11.6 | 13.1 | 14.1 | 14.9 | 17.1 | 21.8 | 25.3 | 33.2 | 38.0 |
| KBL 34 P | 34 | 3.34 | 4.11 | 6.42 | 9.64 | 11.3 | 12.4 | 13.4 | 17.2 | 19.3 | 20.8 | 22.0 | 25.3 | 32.3 | 37.4 | 49.0 | 56.2 |
| KBL 40 P | 40 | 3.93 | 4.84 | 7.55 | 11.3 | 13.3 | 14.5 | 15.8 | 20.2 | 22.8 | 24.5 | 25.9 | 29.8 | 38.0 | 44.0 | 57.7 | 66.1 |
| KBL 46 P | 46 | 4.51 | 5.57 | 8.68 | 13.0 | 15.3 | 16.7 | 18.1 | 23.2 | 26.2 | 28.1 | 29.8 | 34.2 | 43.7 | 50.6 | 66.4 | 76.0 |
| KBL 55 P | 55 | 5.40 | 6.65 | 10.4 | 15.6 | 18.3 | 20.0 | 21.7 | 27.8 | 31.3 | 33.7 | 35.6 | 40.9 | 52.2 | 60.5 | 79.3 | 90.9 |
| KBL 70 P | 70 | 6.85 | 8.45 | 13.2 | 19.8 | 23.3 | 25.3 | 27.3 | 31.0 | 33.2 | 34.4 | 38.7 | 45.0 | 57.9 | 62.8 | 71.2 | 78.8 |
| KBL 80 P | 80 | 7.83 | 9.65 | 15.1 | 22.7 | 26.6 | 28.9 | 31.2 | 35.4 | 37.9 | 39.4 | 44.3 | 51.5 | 66.1 | 71.8 | 81.4 | 90.1 |
| KBL 90 P | 90 | 8.81 | 10.9 | 17.0 | 25.5 | 29.9 | 32.5 | 35.1 | 39.9 | 42.7 | 44.3 | 49.8 | 57.9 | 74.4 | 80.8 | 91.6 | 101 |
| KBL 100 P | 100 | 9.78 | 12.1 | 18.9 | 28.3 | 33.6 | 36.6 | 39.0 | 45.8 | 52.2 | 52.4 | 59.8 | 65.2 | 85.3 | 91.5 | 114 | 128 |
| KBL 112 P | 112 | 11.0 | 13.5 | 21.1 | 31.8 | 37.2 | 40.4 | 43.7 | 49.6 | 53.1 | 55.1 | 62.0 | 72.1 | 92.6 | 101 | 114 | 126 |
| KBL 125 P | 125 | 12.2 | 15.1 | 23.6 | 35.4 | 41.6 | 45.1 | 48.8 | 55.4 | 59.3 | 61.5 | 69.2 | 80.4 | 103 | 112 | 127 | 141 |
| KBL 135 P | 135 | 13.2 | 16.3 | 25.5 | 38.3 | 44.9 | 48.7 | 52.7 | 59.8 | 64.0 | 66.4 | 74.7 | 86.9 | 112 | 121 | 137 | 152 |
| KBL 150 P | 150 | 14.7 | 18.1 | 28.3 | 42.5 | 49.9 | 54.1 | 58.5 | 66.4 | 71.1 | 73.8 | 83.0 | 96.5 | 124 | 135 | 153 | 169 |
| KBL 160 P | 160 | 15.7 | 19.3 | 30.2 | 45.4 | 53.2 | 57.7 | 62.4 | 70.9 | 75.9 | 78.7 | 88.5 | 103 | 132 | 144 | 163 | 180 |
| KBL 170 P | 170 | 16.6 | 20.5 | 32.1 | 48.2 | 56.5 | 61.4 | 66.3 | 75.3 | 80.6 | 83.6 | 94.1 | 109 | 140 | 153 | 173 | 191 |
| KBL 180 P | 180 | 17.6 | 21.7 | 34.0 | 51.0 | 59.8 | 65.0 | 70.2 | 79.7 | 85.3 | 88.5 | 100 | 116 | 149 | 162 | 183 | 203 |
| KBL 200 P | 200 | 19.6 | 24.1 | 37.7 | 56.7 | 66.5 | 72.2 | 78.0 | 88.6 | 94.8 | 98.4 | 111 | 129 | 165 | 180 | 203 | 225 |
| KBL 214 P | 214 | 20.9 | 25.8 | 40.4 | 60.7 | 71.1 | 77.2 | 83.5 | 94.8 | 101 | 105 | 118 | 138 | 177 | 192 | 218 | 241 |
| KBL 225 P | 225 | 22.0 | 27.1 | 42.5 | 63.8 | 74.8 | 81.2 | 87.8 | 100 | 107 | 111 | 125 | 145 | 186 | 202 | 229 | 253 |
| KBL 240 P | 240 | 23.5 | 29.0 | 45.3 | 68.0 | 79.8 | 86.6 | 93.6 | 106 | 114 | 118 | 133 | 154 | 198 | 215 | 244 | 270 |
| KBL 255 P | 255 | 24.9 | 30.8 | 48.1 | 72.3 | 84.8 | 92.0 | 99.5 | 113 | 121 | 125 | 141 | 164 | 211 | 229 | 259 | 287 |
| KBL 270 P | 270 | 26.4 | 32.6 | 51.0 | 76.6 | 89.8 | 97.4 | 105 | 120 | 128 | 133 | 149 | 174 | 223 | 242 | 275 | 304 |
| KBL 280 P | 280 | 27.4 | 33.8 | 52.8 | 79.4 | 93.1 | 101 | 109 | 124 | 133 | 138 | 155 | 180 | 231 | 251 | 285 | 315 |
| KBL 300 P | 300 | 29.4 | 36.2 | 56.6 | 85.1 | 100 | 108 | 117 | 133 | 142 | 148 | 166 | 193 | 248 | 269 | 305 | 338 |
| KBL 320 P | 320 | 31.3 | 38.6 | 60.4 | 90.7 | 106 | 115 | 125 | 142 | 152 | 157 | 177 | 206 | 264 | 287 | 326 | 360 |
| KBL 340 P | 340 | 33.3 | 41.0 | 64.2 | 96.4 | 113 | 123 | 133 | 151 | 161 | 167 | 188 | 219 | 281 | 305 | 346 | 383 |
| KBL 360 P | 360 | 35.2 | 43.4 | 67.9 | 102 | 120 | 130 | 140 | 159 | 171 | 177 | 199 | 232 | 298 | 323 | 366 | 405 |
| KBL 380 P | 380 | 37.2 | 45.8 | 71.7 | 108 | 126 | 137 | 148 | 168 | 180 | 187 | 210 | 244 | 314 | 341 | 387 | 428 |
| KBL 400 P | 400 | 39.1 | 48.3 | 75.5 | 113 | 133 | 144 | 156 | 177 | 190 | 197 | 221 | 257 | 331 | 359 | 407 | 450 |
| KBL 415 P | 415 | 40.6 | 50.1 | 78.3 | 118 | 138 | 150 | 162 | 184 | 197 | 204 | 230 | 267 | 343 | 373 | 422 | 467 |
| KBL 435 P | 435 | 42.6 | 52.5 | 82.1 | 123 | 145 | 157 | 170 | 193 | 206 | 214 | 241 | 280 | 360 | 391 | 443 | 490 |
| KBL 450 P | 450 | 44.0 | 54.3 | 84.9 | 128 | 150 | 162 | 176 | 199 | 213 | 221 | 249 | 290 | 372 | 404 | 458 | 507 |
| KBL 460 P | 460 | 45.0 | 55.5 | 86.8 | 130 | 153 | 166 | 179 | 204 | 218 | 226 | 255 | 296 | 380 | 413 | 468 | 518 |
| KBL 480 P | 480 | 47.0 | 57.9 | 90.6 | 136 | 160 | 173 | 187 | 213 | 228 | 236 | 266 | 309 | 397 | 431 | 488 | 541 |
| KBL 500 P | 500 | 48.9 | 60.3 | 94.4 | 142 | 166 | 180 | 195 | 221 | 237 | 246 | 277 | 322 | 413 | 449 | 509 | 563 |
| KBL 510 P | 510 | 49.9 | 61.5 | 96.3 | 145 | 170 | 184 | 199 | 226 | 242 | 251 | 282 | 328 | 421 | 458 | 519 | 574 |
| KBL 550 P | 550 | 53.8 | 66.4 | 104 | 156 | 183 | 198 | 215 | 244 | 261 | 271 | 304 | 354 | 455 | 494 | 559 | 619 |

Performance data of KBL range in Amperes

After long term float charge of fully charged cells at +20°C ±5°C (+68°F ± 9°F)

Final Cell Voltage: 1.14 V

| Cell Type | C ₅ Ah | Hours | | | | | | | Minutes | | | | | Seconds | | | |
|------------|-------------------|-------|------|-----|-----|-----|-----|-----|---------|-----|-----|-----|------|---------|------|------|------|
| | | 10 | 8 | 5 | 3 | 2 | 1.5 | 1 | 30 | 20 | 15 | 10 | 5 | 60 | 30 | 5 | 1 |
| KBL 575 P | 575 | 56.3 | 69.4 | 109 | 163 | 191 | 208 | 224 | 255 | 273 | 283 | 318 | 370 | 475 | 516 | 585 | 648 |
| KBL 600 P | 600 | 58.7 | 72.4 | 113 | 170 | 199 | 217 | 234 | 266 | 284 | 295 | 332 | 386 | 496 | 539 | 610 | 676 |
| KBL 635 P | 635 | 62.1 | 76.6 | 120 | 180 | 211 | 229 | 248 | 281 | 301 | 312 | 351 | 409 | 525 | 570 | 646 | 715 |
| KBL 650 P | 650 | 63.6 | 78.4 | 123 | 184 | 216 | 235 | 254 | 288 | 308 | 320 | 360 | 418 | 537 | 584 | 661 | 732 |
| KBL 675 P | 675 | 66.0 | 81.4 | 127 | 191 | 224 | 244 | 263 | 299 | 320 | 332 | 374 | 434 | 558 | 606 | 687 | 760 |
| KBL 690 P | 690 | 67.5 | 83.2 | 130 | 196 | 229 | 249 | 269 | 306 | 327 | 339 | 382 | 444 | 570 | 619 | 702 | 777 |
| KBL 720 P | 720 | 70.4 | 86.9 | 136 | 204 | 239 | 260 | 281 | 319 | 341 | 354 | 398 | 463 | 595 | 646 | 732 | 811 |
| KBL 750 P | 750 | 73.4 | 90.5 | 142 | 213 | 249 | 271 | 293 | 332 | 356 | 369 | 415 | 483 | 620 | 673 | 763 | 845 |
| KBL 770 P | 770 | 75.3 | 92.9 | 145 | 218 | 256 | 278 | 300 | 341 | 365 | 379 | 426 | 495 | 636 | 691 | 783 | 867 |
| KBL 800 P | 800 | 78.3 | 96.5 | 151 | 227 | 266 | 289 | 312 | 354 | 379 | 394 | 443 | 515 | 661 | 718 | 814 | 901 |
| KBL 830 P | 830 | 81.2 | 100 | 157 | 235 | 276 | 300 | 324 | 368 | 394 | 408 | 459 | 534 | 686 | 745 | 844 | 935 |
| KBL 860 P | 860 | 84.1 | 104 | 162 | 244 | 286 | 310 | 336 | 381 | 408 | 423 | 476 | 553 | 711 | 772 | 875 | 969 |
| KBL 890 P | 890 | 87.1 | 107 | 168 | 252 | 296 | 321 | 347 | 394 | 422 | 438 | 493 | 573 | 736 | 799 | 905 | 1002 |
| KBL 920 P | 920 | 90.0 | 111 | 174 | 261 | 306 | 332 | 359 | 407 | 436 | 453 | 509 | 592 | 760 | 826 | 936 | 1036 |
| KBL 980 P | 980 | 95.9 | 118 | 185 | 278 | 326 | 354 | 382 | 434 | 465 | 482 | 542 | 631 | 810 | 880 | 997 | 1104 |
| KBL 1000 P | 1000 | 97.8 | 121 | 189 | 284 | 332 | 361 | 390 | 443 | 474 | 492 | 553 | 643 | 826 | 898 | 1017 | 1126 |
| KBL 1020 P | 1020 | 99.8 | 123 | 193 | 289 | 339 | 368 | 398 | 452 | 484 | 502 | 564 | 656 | 843 | 916 | 1038 | 1149 |
| KBL 1060 P | 1060 | 104 | 128 | 200 | 301 | 352 | 383 | 414 | 469 | 503 | 521 | 587 | 682 | 876 | 952 | 1078 | 1194 |
| KBL 1100 P | 1100 | 108 | 133 | 208 | 312 | 366 | 397 | 429 | 487 | 522 | 541 | 609 | 708 | 909 | 988 | 1119 | 1239 |
| KBL 1125 P | 1125 | 110 | 136 | 212 | 319 | 374 | 406 | 439 | 498 | 533 | 553 | 623 | 724 | 930 | 1010 | 1144 | 1267 |
| KBL 1150 P | 1150 | 113 | 139 | 217 | 326 | 382 | 415 | 449 | 509 | 545 | 566 | 636 | 740 | 950 | 1032 | 1170 | 1295 |
| KBL 1200 P | 1200 | 117 | 145 | 226 | 340 | 399 | 433 | 468 | 531 | 569 | 590 | 664 | 772 | 992 | 1077 | 1221 | 1351 |
| KBL 1225 P | 1225 | 120 | 148 | 231 | 347 | 407 | 442 | 478 | 543 | 581 | 603 | 678 | 788 | 1012 | 1100 | 1246 | 1380 |
| KBL 1250 P | 1250 | 122 | 151 | 236 | 354 | 416 | 451 | 488 | 554 | 593 | 615 | 692 | 804 | 1033 | 1122 | 1272 | 1408 |
| KBL 1280 P | 1280 | 125 | 154 | 242 | 363 | 426 | 462 | 499 | 567 | 607 | 630 | 708 | 824 | 1058 | 1149 | 1302 | 1442 |
| KBL 1320 P | 1320 | 129 | 159 | 249 | 374 | 439 | 476 | 515 | 585 | 626 | 649 | 730 | 849 | 1091 | 1185 | 1343 | 1487 |
| KBL 1360 P | 1360 | 133 | 164 | 257 | 386 | 452 | 491 | 531 | 602 | 645 | 669 | 753 | 875 | 1124 | 1221 | 1383 | 1532 |
| KBL 1400 P | 1400 | 137 | 169 | 264 | 397 | 465 | 505 | 546 | 620 | 664 | 689 | 775 | 901 | 1157 | 1257 | 1424 | 1577 |
| KBL 1450 P | 1450 | 142 | 175 | 274 | 411 | 482 | 523 | 566 | 642 | 687 | 713 | 802 | 933 | 1198 | 1302 | 1475 | 1633 |
| KBL 1500 P | 1500 | 147 | 181 | 283 | 425 | 499 | 541 | 585 | 664 | 711 | 738 | 830 | 965 | 1240 | 1347 | 1526 | 1689 |
| KBL 1540 P | 1540 | 151 | 186 | 291 | 437 | 512 | 556 | 601 | 682 | 730 | 758 | 852 | 991 | 1273 | 1383 | 1567 | 1734 |
| KBL 1600 P | 1600 | 157 | 193 | 302 | 454 | 532 | 577 | 624 | 709 | 759 | 787 | 885 | 1029 | 1322 | 1436 | 1628 | 1802 |
| KBL 1660 P | 1660 | 162 | 200 | 313 | 471 | 552 | 599 | 648 | 735 | 787 | 817 | 919 | 1068 | 1372 | 1490 | 1689 | 1870 |
| KBL 1680 P | 1680 | 164 | 203 | 317 | 476 | 559 | 606 | 656 | 744 | 797 | 826 | 930 | 1081 | 1388 | 1508 | 1709 | 1892 |

Performance data of KBL range in Amperes

After long term float charge of fully charged cells at +20°C ±5°C (+68°F ± 9°F)

Final Cell Voltage: 1.10 V

| Cell Type | C ₅ Ah | Hours | | | | | | | Minutes | | | | | Seconds | | | |
|-----------|-------------------|-------|------|------|------|------|------|------|---------|------|------|------|------|---------|------|------|------|
| | | 10 | 8 | 5 | 3 | 2 | 1.5 | 1 | 30 | 20 | 15 | 10 | 5 | 60 | 30 | 5 | 1 |
| KBL 8 P | 8 | 0.80 | 0.99 | 1.55 | 2.40 | 3.13 | 3.56 | 3.92 | 5.15 | 5.73 | 6.10 | 6.81 | 8.04 | 9.3 | 10.7 | 14.0 | 15.9 |
| KBL 17 P | 17 | 1.70 | 2.10 | 3.30 | 5.11 | 6.66 | 7.56 | 8.3 | 10.9 | 12.2 | 13.0 | 14.5 | 17.1 | 19.8 | 22.7 | 29.7 | 33.7 |
| KBL 23 P | 23 | 2.30 | 2.85 | 4.46 | 6.91 | 9.01 | 10.2 | 11.3 | 14.8 | 16.5 | 17.5 | 19.6 | 23.1 | 26.7 | 30.7 | 40.1 | 45.6 |
| KBL 34 P | 34 | 3.40 | 4.21 | 6.60 | 10.2 | 13.3 | 15.1 | 16.7 | 21.9 | 24.3 | 25.9 | 28.9 | 34.2 | 39.5 | 45.4 | 59.3 | 67.4 |
| KBL 40 P | 40 | 4.00 | 4.95 | 7.76 | 12.0 | 15.7 | 17.8 | 19.6 | 25.7 | 28.6 | 30.5 | 34.0 | 40.2 | 46.5 | 53.4 | 69.8 | 79.3 |
| KBL 46 P | 46 | 4.60 | 5.69 | 8.92 | 13.8 | 18.0 | 20.5 | 22.5 | 29.6 | 32.9 | 35.1 | 39.2 | 46.2 | 53.5 | 61.4 | 80.3 | 91.2 |
| KBL 55 P | 55 | 5.50 | 6.80 | 10.7 | 16.5 | 21.5 | 24.5 | 27.0 | 35.4 | 39.4 | 41.9 | 46.8 | 55.2 | 63.9 | 73.4 | 96.0 | 109 |
| KBL 70 P | 70 | 7.00 | 8.67 | 13.6 | 21.0 | 27.3 | 30.7 | 33.7 | 39.2 | 42.3 | 46.4 | 51.1 | 53.6 | 72.0 | 77.3 | 85.2 | 93.4 |
| KBL 80 P | 80 | 8.00 | 9.90 | 15.5 | 24.1 | 31.2 | 35.1 | 38.5 | 44.8 | 48.3 | 53.0 | 58.4 | 61.3 | 82.3 | 88.4 | 97.4 | 107 |
| KBL 90 P | 90 | 9.00 | 11.1 | 17.4 | 27.1 | 35.1 | 39.5 | 43.3 | 50.3 | 54.4 | 59.6 | 65.7 | 68.9 | 92.5 | 99.4 | 110 | 120 |
| KBL 100 P | 100 | 10.0 | 12.3 | 19.4 | 30.0 | 39.2 | 44.5 | 48.9 | 59.2 | 65.3 | 66.3 | 73.0 | 86.1 | 105 | 113 | 137 | 153 |
| KBL 112 P | 112 | 11.2 | 13.9 | 21.7 | 33.7 | 43.7 | 49.2 | 53.8 | 62.7 | 67.7 | 74.2 | 81.7 | 85.8 | 115 | 124 | 136 | 149 |
| KBL 125 P | 125 | 12.5 | 15.5 | 24.2 | 37.6 | 48.8 | 54.9 | 60.1 | 69.9 | 75.5 | 82.8 | 91.2 | 95.8 | 129 | 138 | 152 | 167 |
| KBL 135 P | 135 | 13.5 | 16.7 | 26.1 | 40.6 | 52.7 | 59.3 | 64.9 | 75.5 | 81.6 | 89.5 | 98.5 | 103 | 139 | 149 | 164 | 180 |
| KBL 150 P | 150 | 15.0 | 18.6 | 29.0 | 45.1 | 58.5 | 65.9 | 72.1 | 83.9 | 90.6 | 99.4 | 109 | 115 | 154 | 166 | 183 | 200 |
| KBL 160 P | 160 | 16.0 | 19.8 | 31.0 | 48.1 | 62.5 | 70.3 | 76.9 | 89.5 | 96.7 | 106 | 117 | 123 | 165 | 177 | 195 | 214 |
| KBL 170 P | 170 | 17.0 | 21.0 | 32.9 | 51.1 | 66.4 | 74.7 | 81.7 | 95.1 | 103 | 113 | 124 | 130 | 175 | 188 | 207 | 227 |
| KBL 180 P | 180 | 18.0 | 22.3 | 34.9 | 54.1 | 70.3 | 79.1 | 86.5 | 101 | 109 | 119 | 131 | 138 | 185 | 199 | 219 | 240 |
| KBL 200 P | 200 | 20.0 | 24.8 | 38.7 | 60.1 | 78.1 | 87.8 | 96.2 | 112 | 121 | 133 | 146 | 153 | 206 | 221 | 243 | 267 |
| KBL 214 P | 214 | 21.4 | 26.5 | 41.4 | 64.3 | 83.5 | 94.0 | 103 | 120 | 129 | 142 | 156 | 164 | 220 | 236 | 260 | 286 |
| KBL 225 P | 225 | 22.5 | 27.9 | 43.6 | 67.6 | 87.8 | 98.8 | 108 | 126 | 136 | 149 | 164 | 172 | 231 | 249 | 274 | 300 |
| KBL 240 P | 240 | 24.0 | 29.7 | 46.5 | 72.2 | 93.7 | 105 | 115 | 134 | 145 | 159 | 175 | 184 | 247 | 265 | 292 | 320 |
| KBL 255 P | 255 | 25.5 | 31.6 | 49.4 | 76.7 | 99.5 | 112 | 123 | 143 | 154 | 169 | 186 | 195 | 262 | 282 | 310 | 340 |
| KBL 270 P | 270 | 27.0 | 33.4 | 52.3 | 81.2 | 105 | 119 | 130 | 151 | 163 | 179 | 197 | 207 | 278 | 298 | 329 | 360 |
| KBL 280 P | 280 | 28.0 | 34.7 | 54.2 | 84.2 | 109 | 123 | 135 | 157 | 169 | 186 | 204 | 215 | 288 | 309 | 341 | 374 |
| KBL 300 P | 300 | 30.0 | 37.1 | 58.1 | 90.2 | 117 | 132 | 144 | 168 | 181 | 199 | 219 | 230 | 308 | 331 | 365 | 400 |
| KBL 320 P | 320 | 32.0 | 39.6 | 62.0 | 96.2 | 125 | 141 | 154 | 179 | 193 | 212 | 233 | 245 | 329 | 354 | 390 | 427 |
| KBL 340 P | 340 | 34.0 | 42.1 | 65.8 | 102 | 133 | 149 | 163 | 190 | 205 | 225 | 248 | 260 | 350 | 376 | 414 | 454 |
| KBL 360 P | 360 | 36.0 | 44.6 | 69.7 | 108 | 141 | 158 | 173 | 201 | 218 | 239 | 263 | 276 | 370 | 398 | 438 | 480 |
| KBL 380 P | 380 | 38.0 | 47.0 | 73.6 | 114 | 148 | 167 | 183 | 213 | 230 | 252 | 277 | 291 | 391 | 420 | 463 | 507 |
| KBL 400 P | 400 | 40.0 | 49.5 | 77.5 | 120 | 156 | 176 | 192 | 224 | 242 | 265 | 292 | 306 | 411 | 442 | 487 | 534 |
| KBL 415 P | 415 | 41.5 | 51.4 | 80.4 | 125 | 162 | 182 | 200 | 232 | 251 | 275 | 303 | 318 | 427 | 458 | 505 | 554 |
| KBL 435 P | 435 | 43.5 | 53.9 | 84.2 | 131 | 170 | 191 | 209 | 243 | 263 | 288 | 317 | 333 | 447 | 481 | 529 | 581 |
| KBL 450 P | 450 | 45.0 | 55.7 | 87.1 | 135 | 176 | 198 | 216 | 252 | 272 | 298 | 328 | 345 | 463 | 497 | 548 | 601 |
| KBL 460 P | 460 | 46.0 | 56.9 | 89.1 | 138 | 180 | 202 | 221 | 257 | 278 | 305 | 336 | 352 | 473 | 508 | 560 | 614 |
| KBL 480 P | 480 | 48.0 | 59.4 | 92.9 | 144 | 187 | 211 | 231 | 269 | 290 | 318 | 350 | 368 | 494 | 530 | 584 | 641 |
| KBL 500 P | 500 | 50.0 | 61.9 | 96.8 | 150 | 195 | 220 | 240 | 280 | 302 | 331 | 365 | 383 | 514 | 552 | 609 | 667 |
| KBL 510 P | 510 | 51.0 | 63.1 | 98.8 | 153 | 199 | 224 | 245 | 285 | 308 | 338 | 372 | 391 | 524 | 563 | 621 | 681 |
| KBL 550 P | 550 | 55.0 | 68.1 | 107 | 165 | 215 | 242 | 264 | 308 | 332 | 364 | 401 | 421 | 566 | 608 | 669 | 734 |

Performance data of KBL range in Amperes

After long term float charge of fully charged cells at +20°C ±5°C (+68°F ± 9°F)

Final Cell Voltage: 1.10 V

| Cell type | C ₅ Ah | Hours | | | | | | | Minutes | | | | | Seconds | | | |
|------------|-------------------|-------|------|-----|-----|-----|-----|-----|---------|------|------|------|------|---------|------|------|------|
| | | 10 | 8 | 5 | 3 | 2 | 1.5 | 1 | 30 | 20 | 15 | 10 | 5 | 60 | 30 | 5 | 1 |
| KBL 575 P | 575 | 57.5 | 71.2 | 111 | 173 | 224 | 253 | 276 | 322 | 347 | 381 | 420 | 441 | 591 | 635 | 700 | 767 |
| KBL 600 P | 600 | 60.0 | 74.3 | 116 | 180 | 234 | 264 | 288 | 336 | 363 | 398 | 438 | 460 | 617 | 663 | 730 | 801 |
| KBL 635 P | 635 | 63.5 | 78.6 | 123 | 191 | 248 | 279 | 305 | 355 | 384 | 421 | 463 | 486 | 653 | 701 | 773 | 848 |
| KBL 650 P | 650 | 65.0 | 80.5 | 126 | 195 | 254 | 285 | 313 | 364 | 393 | 431 | 474 | 498 | 668 | 718 | 791 | 868 |
| KBL 675 P | 675 | 67.5 | 83.6 | 131 | 203 | 263 | 296 | 325 | 378 | 408 | 447 | 492 | 517 | 694 | 746 | 822 | 901 |
| KBL 690 P | 690 | 69.0 | 85.4 | 134 | 207 | 269 | 303 | 332 | 386 | 417 | 457 | 503 | 529 | 710 | 762 | 840 | 921 |
| KBL 720 P | 720 | 72.0 | 89.1 | 139 | 216 | 281 | 316 | 346 | 403 | 435 | 477 | 525 | 552 | 740 | 795 | 876 | 961 |
| KBL 750 P | 750 | 75.0 | 92.8 | 145 | 225 | 293 | 329 | 361 | 420 | 453 | 497 | 547 | 575 | 771 | 829 | 913 | 1001 |
| KBL 770 P | 770 | 77.0 | 95.3 | 149 | 232 | 301 | 338 | 370 | 431 | 465 | 510 | 562 | 590 | 792 | 851 | 937 | 1028 |
| KBL 800 P | 800 | 80.0 | 99.0 | 155 | 241 | 312 | 351 | 385 | 448 | 483 | 530 | 584 | 613 | 823 | 884 | 974 | 1068 |
| KBL 830 P | 830 | 83.0 | 103 | 161 | 250 | 324 | 365 | 399 | 464 | 502 | 550 | 606 | 636 | 853 | 917 | 1010 | 1108 |
| KBL 860 P | 860 | 86.0 | 106 | 167 | 259 | 336 | 378 | 413 | 481 | 520 | 570 | 627 | 659 | 884 | 950 | 1047 | 1148 |
| KBL 890 P | 890 | 89.0 | 110 | 172 | 268 | 347 | 391 | 428 | 498 | 538 | 590 | 649 | 682 | 915 | 983 | 1083 | 1188 |
| KBL 920 P | 920 | 92.0 | 114 | 178 | 277 | 359 | 404 | 442 | 515 | 556 | 610 | 671 | 705 | 946 | 1016 | 1120 | 1228 |
| KBL 980 P | 980 | 98.0 | 121 | 190 | 295 | 383 | 430 | 471 | 548 | 592 | 649 | 715 | 751 | 1008 | 1083 | 1193 | 1308 |
| KBL 1000 P | 1000 | 100 | 124 | 194 | 301 | 390 | 439 | 481 | 559 | 604 | 663 | 730 | 766 | 1028 | 1105 | 1217 | 1335 |
| KBL 1020 P | 1020 | 102 | 126 | 198 | 307 | 398 | 448 | 490 | 571 | 616 | 676 | 744 | 781 | 1049 | 1127 | 1242 | 1361 |
| KBL 1060 P | 1060 | 106 | 131 | 205 | 319 | 414 | 466 | 510 | 593 | 641 | 702 | 773 | 812 | 1090 | 1171 | 1290 | 1415 |
| KBL 1100 P | 1100 | 110 | 136 | 213 | 331 | 429 | 483 | 529 | 615 | 665 | 729 | 803 | 843 | 1131 | 1215 | 1339 | 1468 |
| KBL 1125 P | 1125 | 113 | 139 | 218 | 338 | 439 | 494 | 541 | 629 | 680 | 745 | 821 | 862 | 1157 | 1243 | 1369 | 1502 |
| KBL 1150 P | 1150 | 115 | 142 | 223 | 346 | 449 | 505 | 553 | 643 | 695 | 762 | 839 | 881 | 1183 | 1270 | 1400 | 1535 |
| KBL 1200 P | 1200 | 120 | 149 | 232 | 361 | 468 | 527 | 577 | 671 | 725 | 795 | 875 | 919 | 1234 | 1326 | 1461 | 1602 |
| KBL 1225 P | 1225 | 123 | 152 | 237 | 368 | 478 | 538 | 589 | 685 | 740 | 812 | 894 | 938 | 1260 | 1353 | 1491 | 1635 |
| KBL 1250 P | 1250 | 125 | 155 | 242 | 376 | 488 | 549 | 601 | 699 | 755 | 828 | 912 | 958 | 1285 | 1381 | 1521 | 1668 |
| KBL 1280 P | 1280 | 128 | 158 | 248 | 385 | 500 | 562 | 615 | 716 | 773 | 848 | 934 | 981 | 1316 | 1414 | 1558 | 1708 |
| KBL 1320 P | 1320 | 132 | 163 | 256 | 397 | 515 | 580 | 635 | 738 | 798 | 875 | 963 | 1011 | 1357 | 1458 | 1607 | 1762 |
| KBL 1360 P | 1360 | 136 | 168 | 263 | 409 | 531 | 597 | 654 | 761 | 822 | 901 | 992 | 1042 | 1398 | 1502 | 1655 | 1815 |
| KBL 1400 P | 1400 | 140 | 173 | 271 | 421 | 546 | 615 | 673 | 783 | 846 | 928 | 1021 | 1073 | 1440 | 1547 | 1704 | 1869 |
| KBL 1450 P | 1450 | 145 | 180 | 281 | 436 | 566 | 637 | 697 | 811 | 876 | 961 | 1058 | 1111 | 1491 | 1602 | 1765 | 1935 |
| KBL 1500 P | 1500 | 150 | 186 | 290 | 451 | 585 | 659 | 721 | 839 | 906 | 994 | 1094 | 1149 | 1542 | 1657 | 1826 | 2002 |
| KBL 1540 P | 1540 | 154 | 191 | 298 | 463 | 601 | 676 | 740 | 861 | 931 | 1020 | 1124 | 1180 | 1584 | 1701 | 1874 | 2055 |
| KBL 1600 P | 1600 | 160 | 198 | 310 | 481 | 625 | 703 | 769 | 895 | 967 | 1060 | 1167 | 1226 | 1645 | 1768 | 1948 | 2136 |
| KBL 1660 P | 1660 | 166 | 205 | 321 | 499 | 648 | 729 | 798 | 929 | 1003 | 1100 | 1211 | 1272 | 1707 | 1834 | 2021 | 2216 |
| KBL 1680 P | 1680 | 168 | 208 | 325 | 505 | 656 | 738 | 808 | 940 | 1015 | 1113 | 1226 | 1287 | 1728 | 1856 | 2045 | 2242 |

Performance data of KBL range in Amperes

After long term float charge of fully charged cells at +20°C ±5°C (+68°F ± 9°F)

Final Cell Voltage: 1.05 V

| Cell Type | C ₅ Ah | Hours | | | | | | | Minutes | | | | | Seconds | | | |
|-----------|-------------------|-------|------|------|------|------|------|------|---------|------|------|------|------|---------|------|------|------|
| | | 10 | 8 | 5 | 3 | 2 | 1.5 | 1 | 30 | 20 | 15 | 10 | 5 | 60 | 30 | 5 | 1 |
| KBL 8 P | 8 | 0.82 | 1.01 | 1.58 | 2.54 | 3.42 | 4.10 | 4.79 | 6.43 | 7.51 | 8.09 | 8.96 | 9.10 | 11.5 | 12.9 | 16.9 | 19.0 |
| KBL 17 P | 17 | 1.73 | 2.15 | 3.37 | 5.40 | 7.28 | 8.70 | 10.2 | 13.7 | 16.0 | 17.2 | 19.0 | 19.3 | 24.5 | 27.5 | 35.9 | 40.4 |
| KBL 23 P | 23 | 2.35 | 2.90 | 4.55 | 7.31 | 9.84 | 11.8 | 13.8 | 18.5 | 21.6 | 23.3 | 25.8 | 26.2 | 33.1 | 37.2 | 48.5 | 54.6 |
| KBL 34 P | 34 | 3.47 | 4.29 | 6.73 | 10.8 | 14.6 | 17.4 | 20.4 | 27.3 | 31.9 | 34.4 | 38.1 | 38.7 | 49.0 | 55.0 | 71.7 | 80.7 |
| KBL 40 P | 40 | 4.08 | 5.05 | 7.92 | 12.7 | 17.1 | 20.5 | 23.9 | 32.2 | 37.6 | 40.5 | 44.8 | 45.5 | 57.6 | 64.7 | 84.4 | 95.0 |
| KBL 46 P | 46 | 4.69 | 5.81 | 9.11 | 14.6 | 19.7 | 23.6 | 27.5 | 37.0 | 43.2 | 46.5 | 51.5 | 52.3 | 66.2 | 74.4 | 97.1 | 109 |
| KBL 55 P | 55 | 5.61 | 6.95 | 10.9 | 17.5 | 23.5 | 28.2 | 32.9 | 44.2 | 51.7 | 55.6 | 61.6 | 62.6 | 79.2 | 89.0 | 116 | 131 |
| KBL 70 P | 70 | 7.15 | 8.89 | 13.9 | 22.2 | 29.9 | 35.7 | 41.1 | 50.3 | 55.6 | 57.7 | 64.0 | 73.1 | 88.5 | 95.7 | 103 | 112 |
| KBL 80 P | 80 | 8.17 | 10.2 | 15.8 | 25.4 | 34.2 | 40.8 | 46.9 | 57.5 | 63.5 | 65.9 | 73.2 | 83.5 | 101 | 109 | 118 | 128 |
| KBL 90 P | 90 | 9.20 | 11.4 | 17.8 | 28.6 | 38.5 | 45.9 | 52.8 | 64.7 | 71.5 | 74.1 | 82.3 | 94.0 | 114 | 123 | 133 | 144 |
| KBL 100 P | 100 | 10.2 | 12.6 | 19.8 | 31.9 | 42.9 | 51.3 | 59.3 | 73.5 | 83.5 | 89.2 | 96.7 | 104 | 130 | 141 | 169 | 187 |
| KBL 112 P | 112 | 11.4 | 14.2 | 22.2 | 35.6 | 47.9 | 57.2 | 65.7 | 80.5 | 88.9 | 92.2 | 102 | 117 | 142 | 153 | 166 | 180 |
| KBL 125 P | 125 | 12.8 | 15.9 | 24.8 | 39.7 | 53.4 | 63.8 | 73.3 | 89.8 | 99.2 | 103 | 114 | 131 | 158 | 171 | 185 | 201 |
| KBL 135 P | 135 | 13.8 | 17.1 | 26.7 | 42.9 | 57.7 | 68.9 | 79.2 | 97.0 | 107 | 111 | 123 | 141 | 171 | 184 | 200 | 217 |
| KBL 150 P | 150 | 15.3 | 19.0 | 29.7 | 47.6 | 64.1 | 76.6 | 88.0 | 108 | 119 | 124 | 137 | 157 | 190 | 205 | 222 | 241 |
| KBL 160 P | 160 | 16.3 | 20.3 | 31.7 | 50.8 | 68.4 | 81.7 | 93.9 | 115 | 127 | 132 | 146 | 167 | 202 | 219 | 237 | 257 |
| KBL 170 P | 170 | 17.4 | 21.6 | 33.7 | 54.0 | 72.7 | 86.8 | 99.7 | 122 | 135 | 140 | 155 | 177 | 215 | 232 | 251 | 273 |
| KBL 180 P | 180 | 18.4 | 22.9 | 35.6 | 57.2 | 77.0 | 91.9 | 106 | 129 | 143 | 148 | 165 | 188 | 228 | 246 | 266 | 289 |
| KBL 200 P | 200 | 20.4 | 25.4 | 39.6 | 63.5 | 85.5 | 102 | 117 | 144 | 159 | 165 | 183 | 209 | 253 | 273 | 296 | 321 |
| KBL 214 P | 214 | 21.9 | 27.2 | 42.4 | 68.0 | 91.5 | 109 | 126 | 154 | 170 | 176 | 196 | 223 | 271 | 292 | 316 | 343 |
| KBL 225 P | 225 | 23.0 | 28.6 | 44.6 | 71.5 | 96.2 | 115 | 132 | 162 | 179 | 185 | 206 | 235 | 285 | 307 | 333 | 361 |
| KBL 240 P | 240 | 24.5 | 30.5 | 47.5 | 76.2 | 103 | 123 | 141 | 172 | 191 | 198 | 220 | 251 | 304 | 328 | 355 | 385 |
| KBL 255 P | 255 | 26.1 | 32.4 | 50.5 | 81.0 | 109 | 130 | 150 | 183 | 202 | 210 | 233 | 266 | 323 | 348 | 377 | 409 |
| KBL 270 P | 270 | 27.6 | 34.3 | 53.5 | 85.8 | 115 | 138 | 158 | 194 | 214 | 222 | 247 | 282 | 341 | 369 | 399 | 433 |
| KBL 280 P | 280 | 28.6 | 35.5 | 55.5 | 88.9 | 120 | 143 | 164 | 201 | 222 | 231 | 256 | 292 | 354 | 383 | 414 | 449 |
| KBL 300 P | 300 | 30.7 | 38.1 | 59.4 | 95.3 | 128 | 153 | 176 | 216 | 238 | 247 | 274 | 313 | 379 | 410 | 443 | 481 |
| KBL 320 P | 320 | 32.7 | 40.6 | 63.4 | 102 | 137 | 163 | 188 | 230 | 254 | 264 | 293 | 334 | 405 | 437 | 473 | 513 |
| KBL 340 P | 340 | 34.7 | 43.2 | 67.3 | 108 | 145 | 174 | 199 | 244 | 270 | 280 | 311 | 355 | 430 | 465 | 503 | 545 |
| KBL 360 P | 360 | 36.8 | 45.7 | 71.3 | 114 | 154 | 184 | 211 | 259 | 286 | 296 | 329 | 376 | 455 | 492 | 532 | 578 |
| KBL 380 P | 380 | 38.8 | 48.2 | 75.3 | 121 | 162 | 194 | 223 | 273 | 302 | 313 | 348 | 397 | 481 | 519 | 562 | 610 |
| KBL 400 P | 400 | 40.9 | 50.8 | 79.2 | 127 | 171 | 204 | 235 | 287 | 318 | 329 | 366 | 418 | 506 | 547 | 591 | 642 |
| KBL 415 P | 415 | 42.4 | 52.7 | 82.2 | 132 | 177 | 212 | 243 | 298 | 329 | 342 | 380 | 433 | 525 | 567 | 614 | 666 |
| KBL 435 P | 435 | 44.4 | 55.2 | 86.1 | 138 | 186 | 222 | 255 | 313 | 345 | 358 | 398 | 454 | 550 | 594 | 643 | 698 |
| KBL 450 P | 450 | 46.0 | 57.1 | 89.1 | 143 | 192 | 230 | 264 | 323 | 357 | 371 | 412 | 470 | 569 | 615 | 665 | 722 |
| KBL 460 P | 460 | 47.0 | 58.4 | 91.1 | 146 | 197 | 235 | 270 | 331 | 365 | 379 | 421 | 480 | 582 | 629 | 680 | 738 |
| KBL 480 P | 480 | 49.0 | 60.9 | 95.1 | 152 | 205 | 245 | 282 | 345 | 381 | 395 | 439 | 501 | 607 | 656 | 710 | 770 |
| KBL 500 P | 500 | 51.1 | 63.5 | 99.0 | 159 | 214 | 255 | 293 | 359 | 397 | 412 | 457 | 522 | 632 | 683 | 739 | 802 |
| KBL 510 P | 510 | 52.1 | 64.7 | 101 | 162 | 218 | 260 | 299 | 366 | 405 | 420 | 466 | 532 | 645 | 697 | 754 | 818 |
| KBL 550 P | 550 | 56.2 | 69.8 | 109 | 175 | 235 | 281 | 323 | 395 | 437 | 453 | 503 | 574 | 696 | 752 | 813 | 882 |

Performance data of KBL range in Amperes

After long term float charge of fully charged cells at +20°C ±5°C (+68°F ± 9°F)

Final Cell Voltage: 1.05 V

| Cell type | C ₅ Ah | Hours | | | | | | | Minutes | | | | | Seconds | | | |
|------------|-------------------|-------|------|-----|-----|-----|-----|-----|---------|------|------|------|------|---------|------|------|------|
| | | 10 | 8 | 5 | 3 | 2 | 1.5 | 1 | 30 | 20 | 15 | 10 | 5 | 60 | 30 | 5 | 1 |
| KBL 575 P | 575 | 58.8 | 73.0 | 114 | 183 | 246 | 294 | 337 | 413 | 457 | 474 | 526 | 600 | 727 | 786 | 850 | 923 |
| KBL 600 P | 600 | 61.3 | 76.2 | 119 | 191 | 257 | 306 | 352 | 431 | 476 | 494 | 549 | 626 | 759 | 820 | 887 | 963 |
| KBL 635 P | 635 | 64.9 | 80.6 | 126 | 202 | 272 | 324 | 372 | 456 | 504 | 523 | 581 | 663 | 803 | 868 | 939 | 1019 |
| KBL 650 P | 650 | 66.4 | 82.5 | 129 | 206 | 278 | 332 | 381 | 467 | 516 | 535 | 595 | 679 | 822 | 888 | 961 | 1043 |
| KBL 675 P | 675 | 69.0 | 85.7 | 134 | 214 | 289 | 345 | 396 | 485 | 536 | 556 | 617 | 705 | 854 | 922 | 998 | 1083 |
| KBL 690 P | 690 | 70.5 | 87.6 | 137 | 219 | 295 | 352 | 405 | 496 | 548 | 568 | 631 | 720 | 873 | 943 | 1020 | 1107 |
| KBL 720 P | 720 | 73.6 | 91.4 | 143 | 229 | 308 | 368 | 422 | 517 | 572 | 593 | 659 | 752 | 911 | 984 | 1064 | 1155 |
| KBL 750 P | 750 | 76.6 | 95.2 | 149 | 238 | 321 | 383 | 440 | 539 | 595 | 618 | 686 | 783 | 949 | 1025 | 1109 | 1203 |
| KBL 770 P | 770 | 78.7 | 97.8 | 152 | 245 | 329 | 393 | 452 | 553 | 611 | 634 | 704 | 804 | 974 | 1052 | 1138 | 1235 |
| KBL 800 P | 800 | 81.7 | 102 | 158 | 254 | 342 | 408 | 469 | 575 | 635 | 659 | 732 | 835 | 1012 | 1093 | 1183 | 1283 |
| KBL 830 P | 830 | 84.8 | 105 | 164 | 264 | 355 | 424 | 487 | 596 | 659 | 684 | 759 | 867 | 1050 | 1134 | 1227 | 1332 |
| KBL 860 P | 860 | 87.9 | 109 | 170 | 273 | 368 | 439 | 504 | 618 | 683 | 708 | 787 | 898 | 1088 | 1175 | 1271 | 1380 |
| KBL 890 P | 890 | 90.9 | 113 | 176 | 283 | 381 | 454 | 522 | 639 | 707 | 733 | 814 | 929 | 1126 | 1216 | 1316 | 1428 |
| KBL 920 P | 920 | 94.0 | 117 | 182 | 292 | 393 | 470 | 540 | 661 | 730 | 758 | 842 | 961 | 1164 | 1257 | 1360 | 1476 |
| KBL 980 P | 980 | 100 | 124 | 194 | 311 | 419 | 500 | 575 | 704 | 778 | 807 | 896 | 1023 | 1239 | 1339 | 1449 | 1572 |
| KBL 1000 P | 1000 | 102 | 127 | 198 | 318 | 428 | 510 | 587 | 718 | 794 | 824 | 915 | 1044 | 1265 | 1367 | 1478 | 1604 |
| KBL 1020 P | 1020 | 104 | 129 | 202 | 324 | 436 | 521 | 598 | 733 | 810 | 840 | 933 | 1065 | 1290 | 1394 | 1508 | 1636 |
| KBL 1060 P | 1060 | 108 | 135 | 210 | 337 | 453 | 541 | 622 | 762 | 842 | 873 | 970 | 1107 | 1341 | 1449 | 1567 | 1701 |
| KBL 1100 P | 1100 | 112 | 140 | 218 | 349 | 470 | 562 | 645 | 790 | 873 | 906 | 1006 | 1148 | 1391 | 1503 | 1626 | 1765 |
| KBL 1125 P | 1125 | 115 | 143 | 223 | 357 | 481 | 574 | 660 | 808 | 893 | 927 | 1029 | 1175 | 1423 | 1537 | 1663 | 1805 |
| KBL 1150 P | 1150 | 118 | 146 | 228 | 365 | 492 | 587 | 675 | 826 | 913 | 947 | 1052 | 1201 | 1454 | 1572 | 1700 | 1845 |
| KBL 1200 P | 1200 | 123 | 152 | 238 | 381 | 513 | 613 | 704 | 862 | 953 | 988 | 1098 | 1253 | 1518 | 1640 | 1774 | 1925 |
| KBL 1225 P | 1225 | 125 | 156 | 243 | 389 | 524 | 625 | 719 | 880 | 973 | 1009 | 1120 | 1279 | 1549 | 1674 | 1811 | 1965 |
| KBL 1250 P | 1250 | 128 | 159 | 248 | 397 | 534 | 638 | 733 | 898 | 992 | 1029 | 1143 | 1305 | 1581 | 1708 | 1848 | 2005 |
| KBL 1280 P | 1280 | 131 | 163 | 253 | 407 | 547 | 653 | 751 | 920 | 1016 | 1054 | 1171 | 1336 | 1619 | 1749 | 1892 | 2054 |
| KBL 1320 P | 1320 | 135 | 168 | 261 | 419 | 564 | 674 | 774 | 948 | 1048 | 1087 | 1207 | 1378 | 1669 | 1804 | 1951 | 2118 |
| KBL 1360 P | 1360 | 139 | 173 | 269 | 432 | 582 | 694 | 798 | 977 | 1080 | 1120 | 1244 | 1420 | 1720 | 1859 | 2011 | 2182 |
| KBL 1400 P | 1400 | 143 | 178 | 277 | 445 | 599 | 715 | 821 | 1006 | 1112 | 1153 | 1281 | 1462 | 1771 | 1913 | 2070 | 2246 |
| KBL 1450 P | 1450 | 148 | 184 | 287 | 461 | 620 | 740 | 851 | 1042 | 1151 | 1194 | 1326 | 1514 | 1834 | 1981 | 2144 | 2326 |
| KBL 1500 P | 1500 | 153 | 190 | 297 | 476 | 641 | 766 | 880 | 1078 | 1191 | 1235 | 1372 | 1566 | 1897 | 2050 | 2217 | 2407 |
| KBL 1540 P | 1540 | 157 | 196 | 305 | 489 | 658 | 786 | 903 | 1106 | 1223 | 1268 | 1409 | 1608 | 1948 | 2104 | 2277 | 2471 |
| KBL 1600 P | 1600 | 163 | 203 | 317 | 508 | 684 | 817 | 939 | 1150 | 1270 | 1318 | 1463 | 1670 | 2024 | 2186 | 2365 | 2567 |
| KBL 1660 P | 1660 | 170 | 211 | 329 | 527 | 710 | 847 | 974 | 1193 | 1318 | 1367 | 1518 | 1733 | 2099 | 2268 | 2454 | 2663 |
| KBL 1680 P | 1680 | 172 | 213 | 333 | 534 | 718 | 858 | 985 | 1207 | 1334 | 1384 | 1537 | 1754 | 2125 | 2296 | 2484 | 2695 |

Performance data of KBL range in Amperes

After long term float charge of fully charged cells at +20°C ±5°C (+68°F ± 9°F)

Final Cell Voltage: 1.00 V

| Cell Type | C ₅ Ah | Hours | | | | | | | Minutes | | | | | Seconds | | | |
|-----------|-------------------|-------|------|------|------|------|------|------|---------|------|------|------|-------|---------|------|------|------|
| | | 10 | 8 | 5 | 3 | 2 | 1.5 | 1 | 30 | 20 | 15 | 10 | 5 | 60 | 30 | 5 | 1 |
| KBL 8 P | 8 | 0.82 | 1.02 | 1.60 | 2.59 | 3.57 | 4.46 | 5.65 | 7.57 | 8.56 | 9.27 | 9.98 | 12.61 | 14.3 | 15.9 | 20.4 | 23.0 |
| KBL 17 P | 17 | 1.74 | 2.17 | 3.40 | 5.51 | 7.59 | 9.47 | 12.0 | 16.1 | 18.2 | 19.7 | 21.2 | 26.8 | 30.3 | 33.7 | 43.3 | 48.9 |
| KBL 23 P | 23 | 2.36 | 2.93 | 4.60 | 7.45 | 10.3 | 12.8 | 16.2 | 21.8 | 24.6 | 26.7 | 28.7 | 36.3 | 41.1 | 45.6 | 58.6 | 66.1 |
| KBL 34 P | 34 | 3.49 | 4.33 | 6.80 | 11.0 | 15.2 | 18.9 | 24.0 | 32.2 | 36.4 | 39.4 | 42.4 | 53.6 | 60.7 | 67.4 | 86.7 | 97.7 |
| KBL 40 P | 40 | 4.10 | 5.10 | 8.00 | 13.0 | 17.9 | 22.3 | 28.3 | 37.8 | 42.8 | 46.4 | 49.9 | 63.1 | 71.4 | 79.3 | 102 | 115 |
| KBL 46 P | 46 | 4.72 | 5.86 | 9.20 | 14.9 | 20.5 | 25.6 | 32.5 | 43.5 | 49.2 | 53.3 | 57.4 | 72.5 | 82.1 | 91.2 | 117 | 132 |
| KBL 55 P | 55 | 5.64 | 7.01 | 11.0 | 17.8 | 24.6 | 30.6 | 38.8 | 52.0 | 58.8 | 63.8 | 68.6 | 86.7 | 98.2 | 109 | 140 | 158 |
| KBL 70 P | 70 | 7.22 | 8.92 | 14.0 | 22.7 | 31.2 | 38.9 | 47.3 | 59.5 | 66.7 | 71.6 | 76.9 | 88.3 | 109 | 118 | 126 | 135 |
| KBL 80 P | 80 | 8.26 | 10.2 | 16.0 | 25.9 | 35.6 | 44.4 | 54.1 | 68.0 | 76.2 | 81.8 | 87.9 | 101 | 125 | 135 | 144 | 155 |
| KBL 90 P | 90 | 9.29 | 11.5 | 18.0 | 29.1 | 40.1 | 50.0 | 60.8 | 76.4 | 85.7 | 92.1 | 98.9 | 113 | 140 | 151 | 162 | 174 |
| KBL 100 P | 100 | 10.3 | 12.7 | 20.0 | 32.4 | 44.6 | 55.7 | 69.3 | 86.8 | 98.1 | 104 | 110 | 132 | 160 | 173 | 205 | 228 |
| KBL 112 P | 112 | 11.6 | 14.3 | 22.4 | 36.2 | 49.9 | 62.2 | 75.7 | 95.1 | 107 | 115 | 123 | 141 | 174 | 188 | 202 | 217 |
| KBL 125 P | 125 | 12.9 | 15.9 | 25.0 | 40.5 | 55.7 | 69.4 | 84.5 | 106 | 119 | 128 | 137 | 158 | 195 | 210 | 225 | 242 |
| KBL 135 P | 135 | 13.9 | 17.2 | 27.0 | 43.7 | 60.1 | 74.9 | 91.3 | 115 | 129 | 138 | 148 | 170 | 210 | 227 | 243 | 261 |
| KBL 150 P | 150 | 15.5 | 19.1 | 30.0 | 48.5 | 66.8 | 83.3 | 101 | 127 | 143 | 153 | 165 | 189 | 234 | 252 | 270 | 290 |
| KBL 160 P | 160 | 16.5 | 20.4 | 32.0 | 51.8 | 71.3 | 88.8 | 108 | 136 | 152 | 164 | 176 | 202 | 249 | 269 | 288 | 310 |
| KBL 170 P | 170 | 17.5 | 21.7 | 34.0 | 55.0 | 75.7 | 94.4 | 115 | 144 | 162 | 174 | 187 | 214 | 265 | 286 | 306 | 329 |
| KBL 180 P | 180 | 18.6 | 22.9 | 36.0 | 58.3 | 80.2 | 99.9 | 122 | 153 | 171 | 184 | 198 | 227 | 280 | 303 | 324 | 348 |
| KBL 200 P | 200 | 20.6 | 25.5 | 40.0 | 64.7 | 89.1 | 111 | 135 | 170 | 190 | 205 | 220 | 252 | 312 | 336 | 360 | 387 |
| KBL 214 P | 214 | 22.1 | 27.3 | 42.8 | 69.3 | 95.3 | 119 | 145 | 182 | 204 | 219 | 235 | 270 | 333 | 360 | 385 | 414 |
| KBL 225 P | 225 | 23.2 | 28.7 | 45.0 | 72.8 | 100 | 125 | 152 | 191 | 214 | 230 | 247 | 284 | 351 | 378 | 405 | 435 |
| KBL 240 P | 240 | 24.8 | 30.6 | 48.0 | 77.7 | 107 | 133 | 162 | 204 | 229 | 245 | 264 | 303 | 374 | 404 | 432 | 464 |
| KBL 255 P | 255 | 26.3 | 32.5 | 51.0 | 82.5 | 114 | 142 | 172 | 217 | 243 | 261 | 280 | 322 | 397 | 429 | 459 | 493 |
| KBL 270 P | 270 | 27.9 | 34.4 | 54.0 | 87.4 | 120 | 150 | 183 | 229 | 257 | 276 | 297 | 340 | 421 | 454 | 486 | 522 |
| KBL 280 P | 280 | 28.9 | 35.7 | 56.0 | 90.6 | 125 | 155 | 189 | 238 | 267 | 286 | 308 | 353 | 436 | 471 | 504 | 542 |
| KBL 300 P | 300 | 31.0 | 38.2 | 60.0 | 97.1 | 134 | 167 | 203 | 255 | 286 | 307 | 330 | 378 | 467 | 505 | 540 | 580 |
| KBL 320 P | 320 | 33.0 | 40.8 | 64.0 | 104 | 143 | 178 | 216 | 272 | 305 | 327 | 352 | 404 | 499 | 538 | 576 | 619 |
| KBL 340 P | 340 | 35.1 | 43.3 | 68.0 | 110 | 151 | 189 | 230 | 289 | 324 | 348 | 374 | 429 | 530 | 572 | 612 | 658 |
| KBL 360 P | 360 | 37.1 | 45.9 | 72.0 | 117 | 160 | 200 | 243 | 306 | 343 | 368 | 396 | 454 | 561 | 606 | 648 | 696 |
| KBL 380 P | 380 | 39.2 | 48.4 | 76.0 | 123 | 169 | 211 | 257 | 323 | 362 | 389 | 418 | 479 | 592 | 639 | 684 | 735 |
| KBL 400 P | 400 | 41.3 | 51.0 | 80.0 | 129 | 178 | 222 | 270 | 340 | 381 | 409 | 440 | 504 | 623 | 673 | 720 | 774 |
| KBL 415 P | 415 | 42.8 | 52.9 | 83.0 | 134 | 185 | 230 | 281 | 353 | 395 | 424 | 456 | 523 | 647 | 698 | 747 | 803 |
| KBL 435 P | 435 | 44.9 | 55.4 | 87.0 | 141 | 194 | 241 | 294 | 370 | 414 | 445 | 478 | 549 | 678 | 732 | 783 | 842 |
| KBL 450 P | 450 | 46.4 | 57.3 | 90.0 | 146 | 200 | 250 | 304 | 382 | 429 | 460 | 495 | 567 | 701 | 757 | 810 | 871 |
| KBL 460 P | 460 | 47.5 | 58.6 | 92.0 | 149 | 205 | 255 | 311 | 391 | 438 | 471 | 505 | 580 | 717 | 774 | 828 | 890 |
| KBL 480 P | 480 | 49.5 | 61.1 | 96.0 | 155 | 214 | 266 | 325 | 408 | 457 | 491 | 527 | 605 | 748 | 807 | 864 | 929 |
| KBL 500 P | 500 | 51.6 | 63.7 | 100 | 162 | 223 | 278 | 338 | 425 | 476 | 511 | 549 | 630 | 779 | 841 | 900 | 967 |
| KBL 510 P | 510 | 52.6 | 65.0 | 102 | 165 | 227 | 283 | 345 | 433 | 486 | 522 | 560 | 643 | 795 | 858 | 918 | 987 |
| KBL 550 P | 550 | 56.8 | 70.1 | 110 | 178 | 245 | 305 | 372 | 467 | 524 | 563 | 604 | 694 | 857 | 925 | 990 | 1064 |

Performance data of KBL range in Amperes

After long term float charge of fully charged cells at +20°C ±5°C (+68°F ± 9°F)

Final Cell Voltage: 1.00 V

| Cell Type | C ₅ Ah | Hours | | | | | | | Minutes | | | | | Seconds | | | |
|------------|-------------------|-------|------|-----|-----|-----|-----|------|---------|------|------|------|------|---------|------|------|------|
| | | 10 | 8 | 5 | 3 | 2 | 1.5 | 1 | 30 | 20 | 15 | 10 | 5 | 60 | 30 | 5 | 1 |
| KBL 575 P | 575 | 59.3 | 73.2 | 115 | 186 | 256 | 319 | 389 | 488 | 548 | 588 | 632 | 725 | 896 | 967 | 1035 | 1112 |
| KBL 600 P | 600 | 61.9 | 76.4 | 120 | 194 | 267 | 333 | 406 | 510 | 571 | 614 | 659 | 757 | 935 | 1009 | 1080 | 1161 |
| KBL 635 P | 635 | 65.5 | 80.9 | 127 | 206 | 283 | 353 | 429 | 539 | 605 | 650 | 698 | 801 | 989 | 1068 | 1143 | 1229 |
| KBL 650 P | 650 | 67.1 | 82.8 | 130 | 210 | 290 | 361 | 439 | 552 | 619 | 665 | 714 | 820 | 1013 | 1093 | 1170 | 1258 |
| KBL 675 P | 675 | 69.7 | 86.0 | 135 | 218 | 301 | 375 | 456 | 573 | 643 | 690 | 742 | 851 | 1052 | 1135 | 1215 | 1306 |
| KBL 690 P | 690 | 71.2 | 87.9 | 138 | 223 | 307 | 383 | 466 | 586 | 657 | 706 | 758 | 870 | 1075 | 1161 | 1242 | 1335 |
| KBL 720 P | 720 | 74.3 | 91.7 | 144 | 233 | 321 | 400 | 487 | 612 | 686 | 736 | 791 | 908 | 1122 | 1211 | 1296 | 1393 |
| KBL 750 P | 750 | 77.4 | 95.5 | 150 | 243 | 334 | 416 | 507 | 637 | 714 | 767 | 824 | 946 | 1169 | 1262 | 1350 | 1451 |
| KBL 770 P | 770 | 79.5 | 98.1 | 154 | 249 | 343 | 427 | 521 | 654 | 733 | 788 | 846 | 971 | 1200 | 1295 | 1386 | 1490 |
| KBL 800 P | 800 | 82.6 | 102 | 160 | 259 | 356 | 444 | 541 | 680 | 762 | 818 | 879 | 1009 | 1246 | 1346 | 1440 | 1548 |
| KBL 830 P | 830 | 85.6 | 106 | 166 | 269 | 370 | 461 | 561 | 705 | 790 | 849 | 912 | 1047 | 1293 | 1396 | 1494 | 1606 |
| KBL 860 P | 860 | 88.7 | 110 | 172 | 278 | 383 | 477 | 581 | 731 | 819 | 880 | 945 | 1084 | 1340 | 1447 | 1548 | 1664 |
| KBL 890 P | 890 | 91.8 | 113 | 178 | 288 | 396 | 494 | 602 | 756 | 848 | 910 | 978 | 1122 | 1387 | 1497 | 1602 | 1722 |
| KBL 920 P | 920 | 94.9 | 117 | 184 | 298 | 410 | 511 | 622 | 781 | 876 | 941 | 1011 | 1160 | 1433 | 1548 | 1656 | 1780 |
| KBL 980 P | 980 | 101 | 125 | 196 | 317 | 436 | 544 | 663 | 832 | 933 | 1002 | 1077 | 1236 | 1527 | 1649 | 1764 | 1896 |
| KBL 1000 P | 1000 | 103 | 127 | 200 | 324 | 445 | 555 | 676 | 849 | 952 | 1023 | 1099 | 1261 | 1558 | 1682 | 1800 | 1935 |
| KBL 1020 P | 1020 | 105 | 130 | 204 | 330 | 454 | 566 | 690 | 866 | 971 | 1043 | 1121 | 1286 | 1589 | 1716 | 1836 | 1973 |
| KBL 1060 P | 1060 | 109 | 135 | 212 | 343 | 472 | 588 | 717 | 900 | 1009 | 1084 | 1165 | 1337 | 1651 | 1783 | 1908 | 2051 |
| KBL 1100 P | 1100 | 114 | 140 | 220 | 356 | 490 | 611 | 744 | 934 | 1048 | 1125 | 1209 | 1387 | 1714 | 1850 | 1980 | 2128 |
| KBL 1125 P | 1125 | 116 | 143 | 225 | 364 | 501 | 625 | 761 | 956 | 1071 | 1151 | 1236 | 1419 | 1753 | 1892 | 2025 | 2177 |
| KBL 1150 P | 1150 | 119 | 146 | 230 | 372 | 512 | 638 | 777 | 977 | 1095 | 1176 | 1264 | 1450 | 1792 | 1935 | 2070 | 2225 |
| KBL 1200 P | 1200 | 124 | 153 | 240 | 388 | 534 | 666 | 811 | 1019 | 1143 | 1227 | 1319 | 1513 | 1870 | 2019 | 2160 | 2322 |
| KBL 1225 P | 1225 | 126 | 156 | 245 | 396 | 546 | 680 | 828 | 1041 | 1167 | 1253 | 1346 | 1545 | 1909 | 2061 | 2205 | 2370 |
| KBL 1250 P | 1250 | 129 | 159 | 250 | 405 | 557 | 694 | 845 | 1062 | 1190 | 1279 | 1374 | 1576 | 1948 | 2103 | 2250 | 2418 |
| KBL 1280 P | 1280 | 132 | 163 | 256 | 414 | 570 | 711 | 865 | 1087 | 1219 | 1309 | 1407 | 1614 | 1994 | 2153 | 2304 | 2476 |
| KBL 1320 P | 1320 | 136 | 168 | 264 | 427 | 588 | 733 | 892 | 1121 | 1257 | 1350 | 1451 | 1664 | 2057 | 2220 | 2376 | 2554 |
| KBL 1360 P | 1360 | 140 | 173 | 272 | 440 | 606 | 755 | 919 | 1155 | 1295 | 1391 | 1495 | 1715 | 2119 | 2288 | 2448 | 2631 |
| KBL 1400 P | 1400 | 144 | 178 | 280 | 453 | 624 | 777 | 947 | 1189 | 1333 | 1432 | 1538 | 1765 | 2181 | 2355 | 2520 | 2709 |
| KBL 1450 P | 1450 | 150 | 185 | 290 | 469 | 646 | 805 | 980 | 1232 | 1381 | 1483 | 1593 | 1828 | 2259 | 2439 | 2610 | 2805 |
| KBL 1500 P | 1500 | 155 | 191 | 300 | 485 | 668 | 833 | 1014 | 1274 | 1429 | 1534 | 1648 | 1891 | 2337 | 2523 | 2700 | 2902 |
| KBL 1540 P | 1540 | 159 | 196 | 308 | 498 | 686 | 855 | 1041 | 1308 | 1467 | 1575 | 1692 | 1942 | 2399 | 2591 | 2772 | 2979 |
| KBL 1600 P | 1600 | 165 | 204 | 320 | 518 | 713 | 888 | 1082 | 1359 | 1524 | 1637 | 1758 | 2018 | 2493 | 2692 | 2880 | 3096 |
| KBL 1660 P | 1660 | 171 | 211 | 332 | 537 | 739 | 922 | 1122 | 1410 | 1581 | 1698 | 1824 | 2093 | 2586 | 2792 | 2988 | 3212 |
| KBL 1680 P | 1680 | 173 | 214 | 336 | 544 | 748 | 933 | 1136 | 1427 | 1600 | 1718 | 1846 | 2118 | 2617 | 2826 | 3024 | 3250 |

Battery Arrangement as per Standard Rack Designs

| (NORMAL ARRANGEMENT) | | | | | | | | | | | | | | | | |
|---|-------|---|-------|-----|-------|-----|-------|------|-------|---|-------|------|-------|------|-------|------|
| Container size reference | 1TIER | | | | | | | | 2TIER | | | | | | | |
| | 1STEP | | 2STEP | | 3STEP | | 4STEP | | 1STEP | | 2STEP | | 3STEP | | 4STEP | |
| | W | H | W | H | W | H | W | H | W | H | W | H | W | H | W | H |
| B21-1 / B22-1 B23-1 / B24-1 | | | 318 | 703 | 467 | 818 | 616 | 933 | | | 318 | 1225 | 467 | 1425 | 616 | 1675 |
| B31-1 / B31B-1 B32-1 / B33-1 | | | 440 | 788 | 650 | 903 | 860 | 1018 | | | 440 | 1425 | 650 | 1645 | 860 | 1875 |
| B41-1 / B41B-1 B42-1 / B42A-1 B43-1 / B44-1 B45-1 / B42A-2 B42-2 / B41B-2 | | | 440 | 844 | 650 | 959 | 860 | 1074 | | | 440 | 1550 | 650 | 1800 | 860 | 2050 |

| (CROSS - WISE ARRANGEMENT) | | | | | | | | | | | | | | | | |
|----------------------------|-------|-----|-------|-----|-------|-----|-------|------|-------|------|-------|------|-------|------|-------|------|
| Container size reference | 1TIER | | | | | | | | 2TIER | | | | | | | |
| | 1STEP | | 2STEP | | 3STEP | | 4STEP | | 1STEP | | 2STEP | | 3STEP | | 4STEP | |
| | W | H | W | H | W | H | W | H | W | H | W | H | W | H | W | H |
| B32-2 | | | 318 | 788 | 467 | 903 | 616 | 1018 | | | 318 | 1425 | 467 | 1645 | 616 | 1875 |
| B31B-2 | | | 376 | 788 | 554 | 903 | 732 | 1018 | | | 376 | 1425 | 554 | 1645 | 732 | 1875 |
| B31-2 | | | 440 | 788 | 650 | 903 | 860 | 1018 | | | 440 | 1425 | 650 | 1645 | 860 | 1875 |
| B31-3 | | | 586 | 788 | 869 | 903 | | | | | 586 | 1425 | 869 | 1645 | | |
| B41B-2 | | | 376 | 844 | 554 | 959 | 732 | 1074 | | | 376 | 1550 | 554 | 1800 | 732 | 2050 |
| B41B-3 | | | 534 | 844 | 791 | 959 | | | | | 534 | 1550 | 791 | 1800 | | |
| B41B-4 | | | 658 | 844 | 977 | 959 | | | | | 658 | 1550 | 977 | 1800 | | |
| B41B-5 | | | 804 | 844 | | | | | | | 804 | 1550 | | | | |
| B41-2 | | | 440 | 844 | 650 | 959 | 860 | 1074 | | | 440 | 1550 | 650 | 1800 | 860 | 2050 |
| B41-3 | | | 586 | 844 | 869 | 959 | | | | | 586 | 1550 | 869 | 1800 | | |
| B41-4 | | | 754 | 844 | | | | | | | 754 | 1550 | | | | |
| B41-5 | | | 924 | 844 | | | | | 472 | 1320 | 924 | 1550 | | | | |
| B41-6 | 557 | 729 | 1094 | 844 | | | | | 557 | 1320 | | | | | | |

(All dimensions in mm. Height is including cells)

Evaluation of Rack Length

Length of Rack = (X + 5) x No. of block cells in a row (for all block cells)

Where X = Length of cell / block cell for length-wise mounting (KBH 9-118 / KBM 12-390 / KBL 8-460)

= Width of cell / block cell for cross-wise mounting (KBH 127 & above / KBM 400 & above / KBL 480 & above)

The value of length should be rounded-off to nearest to 100 mm and 5 mm should be added to arrive at the final length of rack.

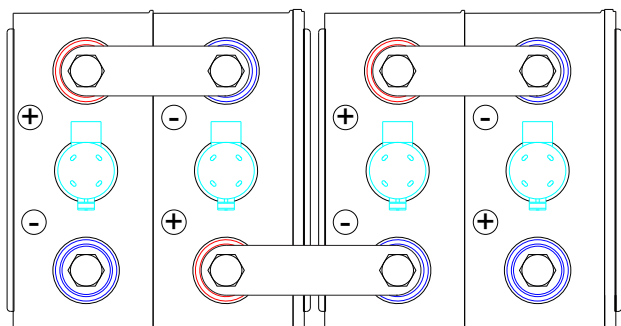


Standard Arrangement of Cells

Following standard arrangement and connection methods of cells are recommended by HBL for optimum efficiency. These configuration methods shall be followed for the cells being installed on racks, cabinets, crates or simply freestanding battery cells.

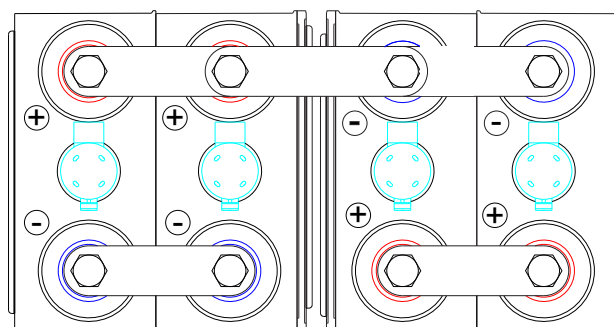
| ARRANGEMENT | KBH | KBM | KBL |
|--------------|---------------|----------------|----------------|
| Normal | 9 to 118 Ah | 12 to 390Ah | 8 to 460 Ah |
| Cross - wise | 127 to 990 Ah | 400 to 1460 Ah | 480 to 1680 Ah |

KBH 9 - KBH 118
KBM 12 - KBM 241
KBL 8 - KBL 270



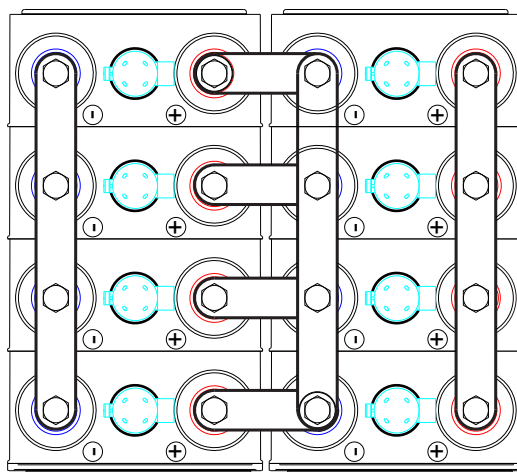
Normal Arrangement

KBM 250 - KBM 390
KBL 280 - KBL 460



Normal Arrangement

KBH 127 - KBH 990
KBM 400 - KBM 1460
KBL 480 - KBL 1680

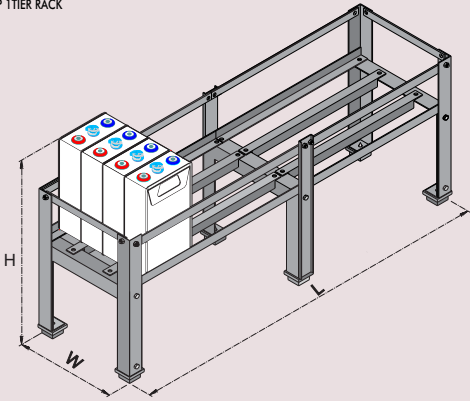


Cross - wise Arrangement

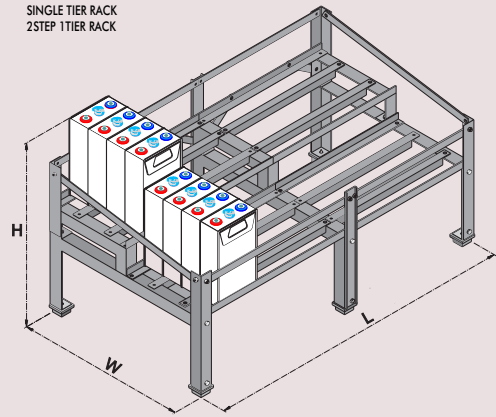


Battery Rack Arrangement

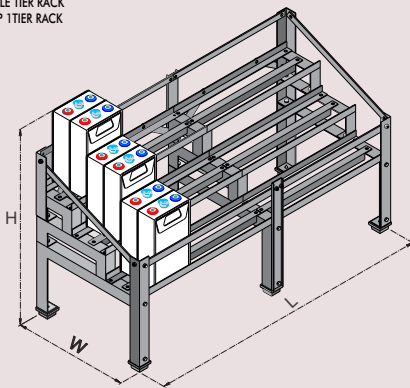
SINGLE TIER RACK
1STEP 1TIER RACK



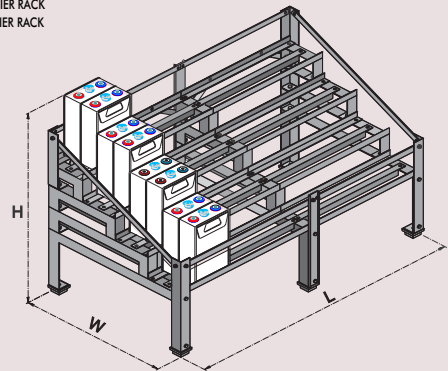
SINGLE TIER RACK
2STEP 1TIER RACK



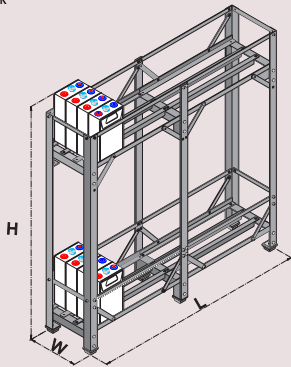
SINGLE TIER RACK
3STEP 1TIER RACK



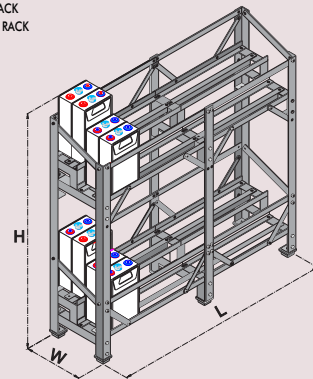
SINGLE TIER RACK
4STEP 1TIER RACK



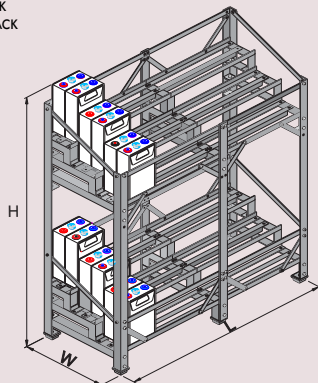
TWO TIER RACK
1STEP 2TIER RACK



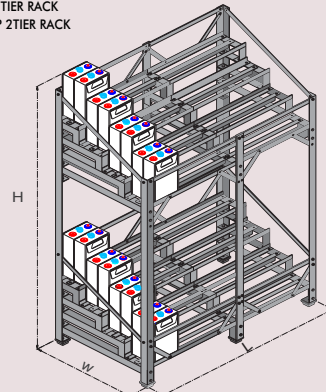
TWO TIER RACK
2STEP 2TIER RACK



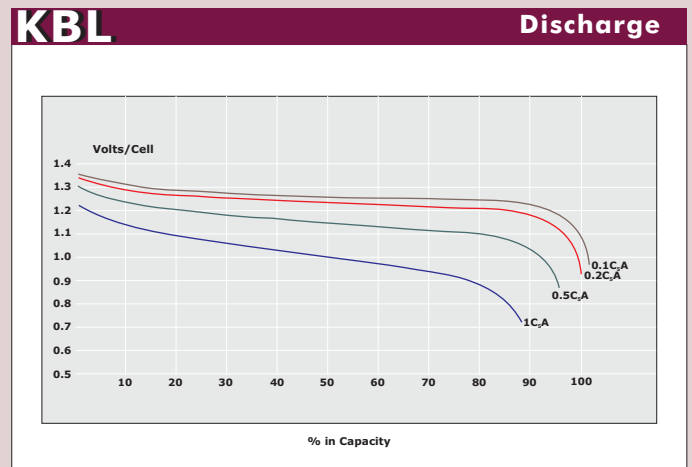
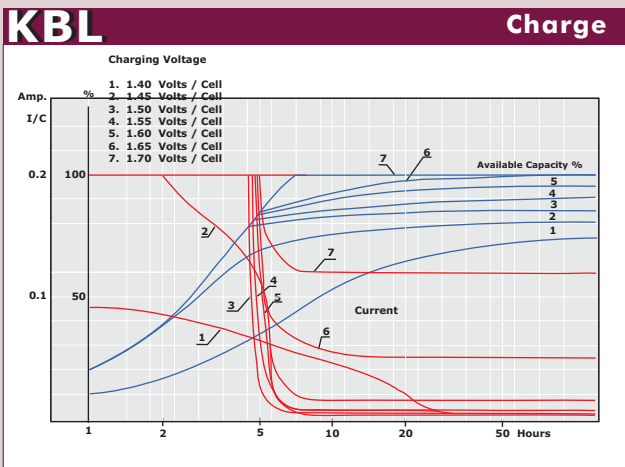
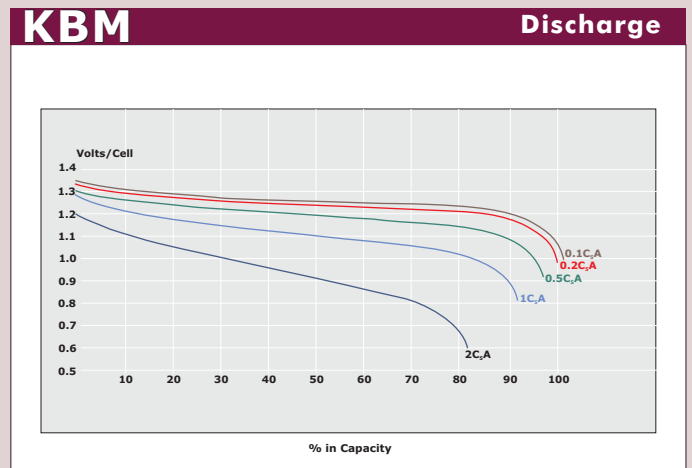
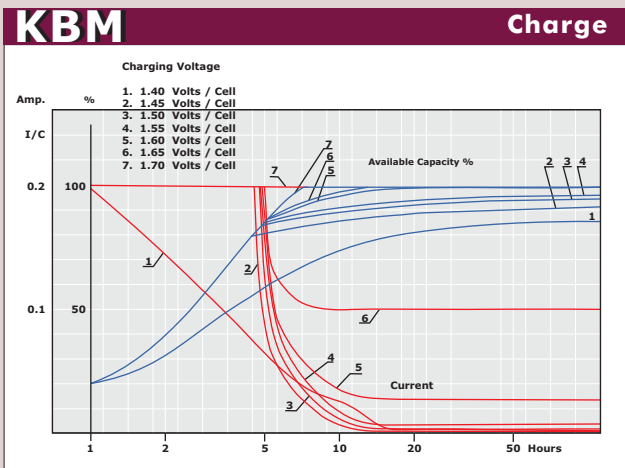
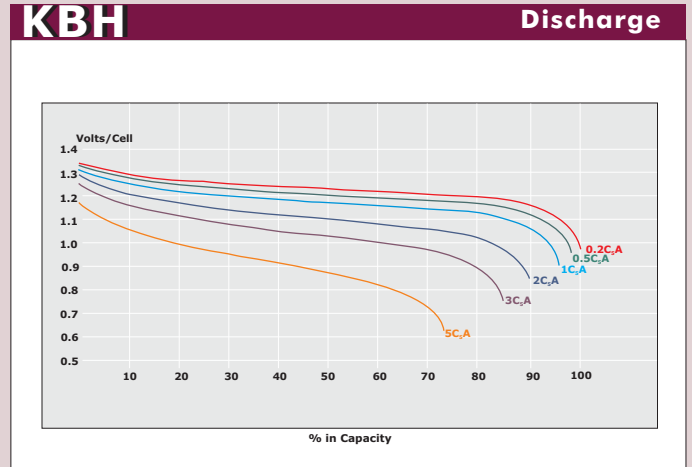
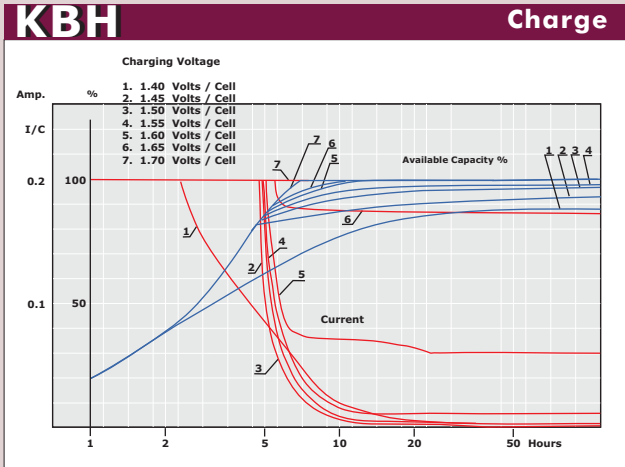
TWO TIER RACK
3STEP 2TIER RACK



TWO TIER RACK
4STEP 2TIER RACK



Typical Characteristics



Certifications



HBL Power Systems Ltd.

Road No. 10, Banjara Hills,
Hyderabad 500034, TG, INDIA
E-mail: contact@hbl.in
www.hbl.in

HBL America Inc.

712, Brook Street
Rocky Hill, CT 06067
www.hblbatteries.com
E-mail: contact@hblbatteries.com
+1 860 257 9800

HBL Germany GmbH

Emilienstraße 24A
08056 Zwickau
Germany
www.hblpower.de
Email: info@hblpower.de
Tel: +49 375 390 965 97
Fax: +49 375 390 965 99